

# POWER AMPLIFIER IPA 8200

## SERVICE MANUAL



### ■ CONTENTS (目次)

SPECIFICATIONS .....	3
仕様 .....	4
DIMENSIONS (寸法図) .....	5
PANEL LAYOUT (パネルレイアウト) .....	6
CIRCUIT BOARD LAYOUT (ユニットレイアウト) .....	7
SERVICE PRECAUTIONS (サービス時の注意) .....	8
DISASSEMBLY PROCEDURES (分解手順) .....	11
IC BLOCK DIAGRAM (IC ブロック図) .....	22
CIRCUIT BOARDS (シート基板図) .....	23
INSPECTIONS .....	43
検査 .....	45
ADJUSTMENT OF AMP circuit board (AMP シートの調整) .....	46
PARTS LIST	
IC & DIODE FIGURES	
WIRING DIAGRAM	
BLOCK DIAGRAM	
CIRCUIT DIAGRAM	

## IMPORTANT NOTICE

This manual has been provided for the use of authorized Yamaha Retailers and their service personnel. It has been assumed that basic service procedures inherent to the industry, and more specifically Yamaha Products, are already known and understood by the users, and have therefore not been restated.

**WARNING:** Failure to follow appropriate service and safety procedures when servicing this product may result in personal injury, destruction of expensive components and failure of the product to perform as specified. For these reasons, we advise all Yamaha product owners that all service required should be performed by an authorized Yamaha Retailer or the appointed service representative.

**IMPORTANT:** This presentation or sale of this manual to any individual or firm does not constitute authorization, certification, recognition of any applicable technical capabilities, or establish a principal-agent relationship of any form.

The data provided is believed to be accurate and applicable to the unit(s) indicated on the cover. The research engineering, and service departments of Yamaha are continually striving to improve Yamaha products. Modifications are, therefore, inevitable and changes in specification are subject to change without notice or obligation to retrofit. Should any discrepancy appear to exist, please contact the distributor's Service Division.

**WARNING:** Static discharges can destroy expensive components. Discharge any static electricity your body may have accumulated by grounding yourself to the ground bus in the unit (heavy gauge black wires connect to this bus).

**IMPORTANT:** Turn the unit OFF during disassembly and parts replacement. Recheck all work before you apply power to the unit.

**WARNING:** This product contains chemicals known to the State of California to cause cancer, or birth defects or other reproductive harm.

**DO NOT PLACE SOLDER, ELECTRICAL/ELECTRONIC OR PLASTIC COMPONENTS IN YOUR MOUTH FOR ANY REASON WHATSOEVER!**

Avoid prolonged, unprotected contact between solder and your skin! When soldering, do not inhale solder fumes or expose eyes to solder/flux vapor!

If you come in contact with solder or components located inside the enclosure of this product, wash your hands before handling food.

## IMPORTANT NOTICE FOR THE UNITED KINGDOM


### Connecting the Plug and Cord

**WARNING:** THIS APPARATUS MUST BE EARTHED

**IMPORTANT.** The wires in this mains lead are coloured in accordance with the following code:

GREEN-AND-YELLOW:	EARTH
BLUE:	NEUTRAL
BROWN:	LIVE


As the colours of the wires in the mains lead of this apparatus may not correspond with the coloured markings identifying the terminals in your plug, proceed as follows:


The wire which is coloured GREEN and YELLOW must be connected to the terminal in the plug which is marked by the letter E or by the safety earth symbol  or colored GREEN or colored GREEN and YELLOW.

The wire which is coloured BLUE must be connected to the terminal which is marked with the letter N or coloured BLACK.

The wire which is coloured BROWN must be connected to the terminal which is marked with the letter L or coloured RED.

## ■ WARNING (注意)

Components having special characteristics are marked  and must be replaced with parts having specification equal to those originally installed.

 印の商品は、安全を維持するために重要な部品です。交換する場合は、安全のために必ず指定の部品をご使用ください。

## SPECIFICATIONS

### General Specifications

Output Power	4Ω per channel	200W x 8		
	8Ω per channel	100W x 8		
	8Ω / BRIDGE	400W x 4		
1kHz, THD+N=1%	4Ω per channel	180W x 8		
	8Ω per channel	90W x 8		
	8Ω / BRIDGE	360W x 4		
20Hz-20kHz, THD+N=1%	4Ω per channel	200W x 8		
	8Ω per channel	100W x 8		
	8Ω / BRIDGE	400W x 4		
Maximum Input Level		+24dBu		
Input Impedance		20kΩ(balanced), 10kΩ(unbalanced)		
Input Sensitivity (dBu)	Switch Position	+4dBu	26dB	32dB
	8Ω, Att. max	Input sensitivity	+4dBu	+5.2dBu
Voltage Gain	Switch Position	+4dBu	26dB	32dB
	Att. Max	Voltage Gain	27.2dB	26dB
S/N Ratio	A-weighted	≥100dB		
THD+N	1kHz, half power, 4Ω	≤0.1%		
Frequency Response	1W, 8Ω	20Hz-20kHz, +0dB, -1.5dB		
Channel Separation	1kHz, half power, 8Ω Att. max, input 600Ω shunt	≥60dB		
Controls	Front Panel	POWER switch (rocker) MUTE switch (push ON/push OFF) x 8 Attenuator (41position) x 8		
	Rear Panel	MODE switch (STEREO/BRIDGE/PARALLEL) x 4 GAIN switch (+4dBu/26dB/32dB) x 1 HPF switch (OFF/20Hz/55Hz) x 1		
Connectors	Input	Euroblock (balanced)/ch		
	Output	Barrier strip/ch		
	Power	AC inlet x 1		
Indicators		POWER x 1 (Green), PROTECT x 8 (Red), CLIP x 8 (Red), SIGNAL x 8 (Green), MUTE x 8 (Red), PARALLEL x 4 (Orange), BRIDGE x 4 (Orange)		
Load Protection	POWER switch on/off	Output mute		
	DC-fault	Power supply shutdown		
Amplifier Protection	Thermal	Output mute (heatsink temp ≥95°C)		
	Over current	Power supply shutdown		
Power Supply Protection	Thermal	Power supply shutdown (heatsink temp ≥85°C)		
Limiter Circuit	Clip limiting	Limiting level ≥100W@8Ω or 200W@4Ω		
Cooling		High/Low two speed fan x 2		
AC Power Requirement		U.S./Canada: 120V, 60Hz Korea: 220V, 60Hz China: 220V, 50Hz Other: 220V-240V, 50/60Hz		
Power Consumption		400W		
Dimensions (W x H x D)		480 x 88 x 406.5mm (18-7/8 x 3-7/16 x 16 inch) (The depth is measured from the front panel surface to the rear mounting hardware.)		
Weight		10.5kg (23.2 lbs)		
Included Accessories		AC power cord (2.5m) x 1, Security cover x 1, Allen wrench x 1, Security cover attachment screw x 2, 3-pin Euroblock connector x 8, Owner's manual		

- Half power = 3dB below rated power
- 0dBu = 0.775Vrms

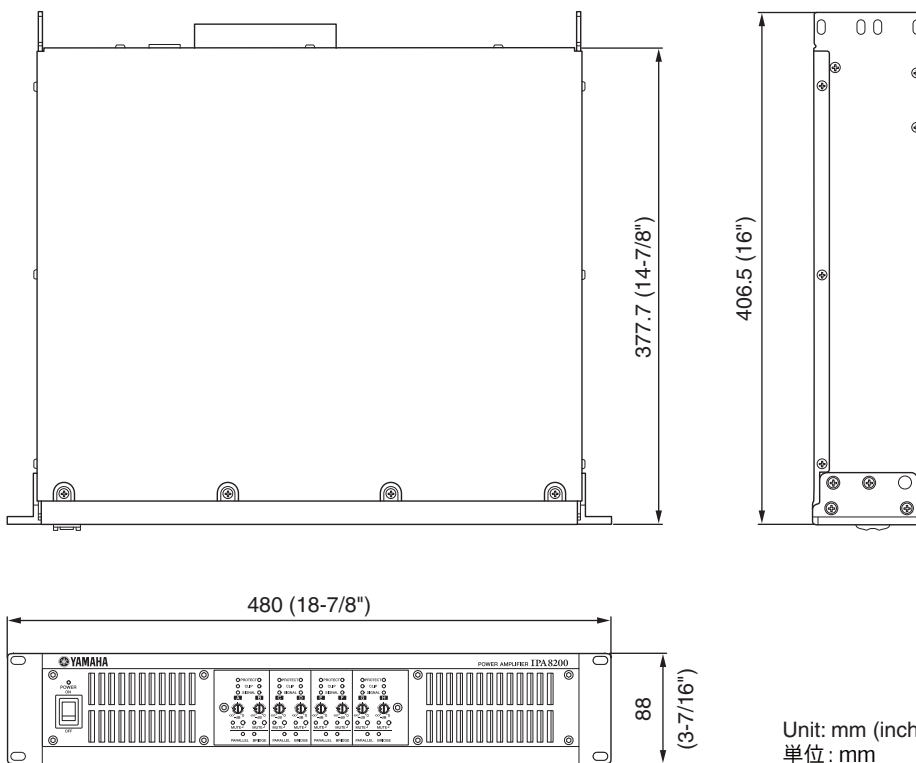
## ■ 仕様

### 一般仕様

連続出力	4Ω per channel	200W × 8		
	8Ω per channel	100W × 8		
	8Ω / BRIDGE	400W × 4		
1 kHz, THD + N = 1%	4Ω per channel	180W × 8		
	8Ω per channel	90W × 8		
	8Ω / BRIDGE	360W × 4		
20Hz-20kHz, THD + N = 1%	4Ω per channel	200W × 8		
	8Ω per channel	100W × 8		
	8Ω / BRIDGE	400W × 4		
1 kHz, 20ms Burst	4Ω per channel	200W × 8		
	8Ω per channel	100W × 8		
	8Ω / BRIDGE	400W × 4		
最大入力レベル		+ 24dBu		
入力インピーダンス		20kΩ (balanced), 10kΩ (unbalanced)		
入力感度 (dBu)	Switch Position	+ 4dBu	26dB	32dB
	8Ω, Att. max	Input sensitivity	+ 5.2dBu	- 0.8dBu
電圧利得	Switch Position	+ 4dBu	26dB	32dB
	Att. Max	Voltage Gain	27.2dB	26dB
SN比	A-weighted	≥ 100dB		
全高調波歪率	1kHz, half power, 4Ω	≤ 0.1%		
周波数特性	1W, 8Ω	20Hz-20kHz, + 0dB, - 1.5dB		
チャンネルセパレーション	1kHz, half power, 8Ω Att. max, input 600Ω shunt	≥ 60dB		
コントロール操作子	Front Panel	POWER switch (rocker) MUTE switch (push ON/push OFF) × 8 Attenuator (41 position) × 8		
	Rear Panel	MODE switch (STEREO/BRIDGE/PARALLEL) × 4 GAIN switch (+ 4dBu/26dB/32dB) × 1 HPF switch (OFF/20Hz/55Hz) × 1		
端子	Input	Euroblock (balanced)/ch		
	Output	Barrier strip/ch		
	Power	AC inlet × 1		
インジケータ		POWER × 1 (Green), PROTECT × 8 (Red), CLIP × 8 (Red), SIGNAL × 8 (Green), MUTE × 8 (Red), PARALLEL × 4 (Orange), BRIDGE × 4 (Orange)		
負荷保護	POWER switch on/off	Output mute		
	DC-fault	Power supply shutdown		
アンプ保護	Thermal	Output mute (heatsink temp ≥ 95 °C)		
	Over current	Power supply shutdown		
電源保護	Thermal	Power supply shutdown (heatsink temp ≥ 85 °C)		
リミッター回路	Clip limiting	Limiting level ≥ 100W @ 8Ω or 200W @ 4Ω		
冷却		High/Low two speed fan × 2		
電源条件		100V, 50/60Hz		
消費電力		400W		
外形寸法 (W × H × D)		480 × 88 × 406.5mm (奥行きはパネル面より背面マウント金具まで)		
質量		10.5kg		
付属品		電源コード (2.5m) × 1、セキュリティーカバー × 1、 六角レンチ × 1、セキュリティーカバー取り付け用ネジ × 2、 ユーロブロック (3P) × 8、取扱説明書 (本書)		

- half power: 定格出力より3dB低い出力
- 0dBu=0.775Vrms

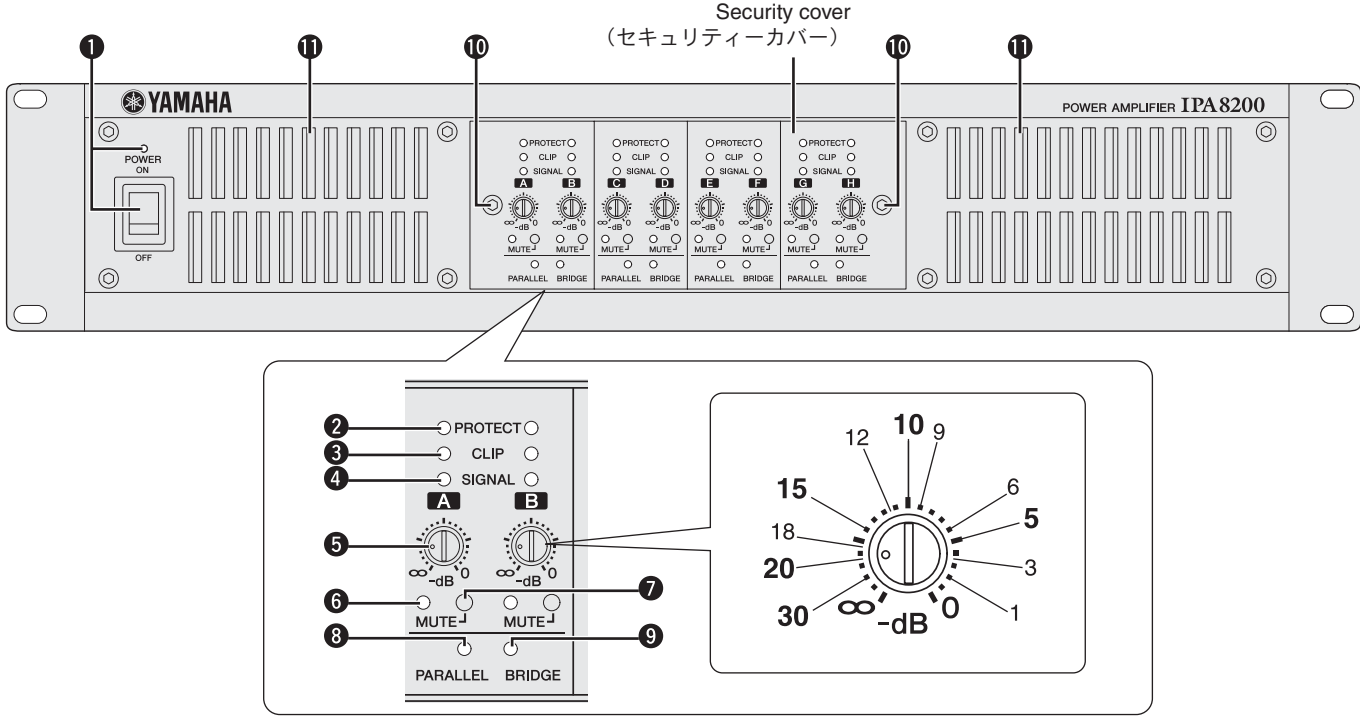
■ DIMENSIONS (寸法図)



Unit: mm (inch)  
 単位: mm

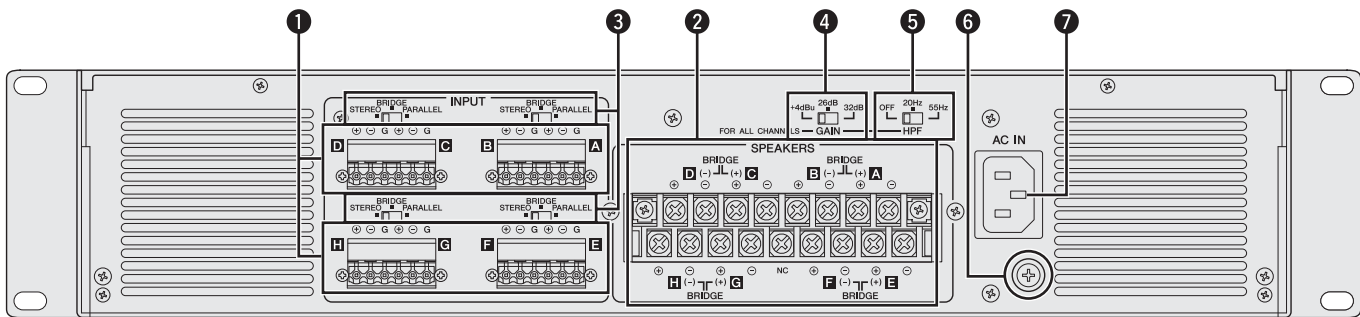
## ■ PANEL LAYOUT (パネルレイアウト)

### • Front Panel (フロントパネル)



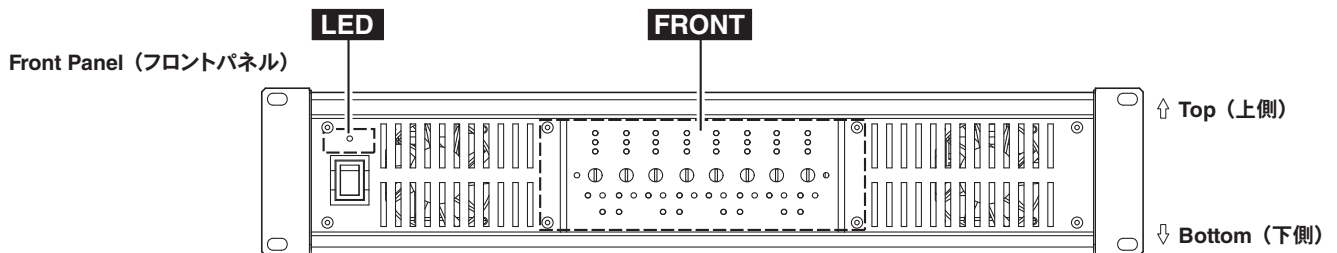
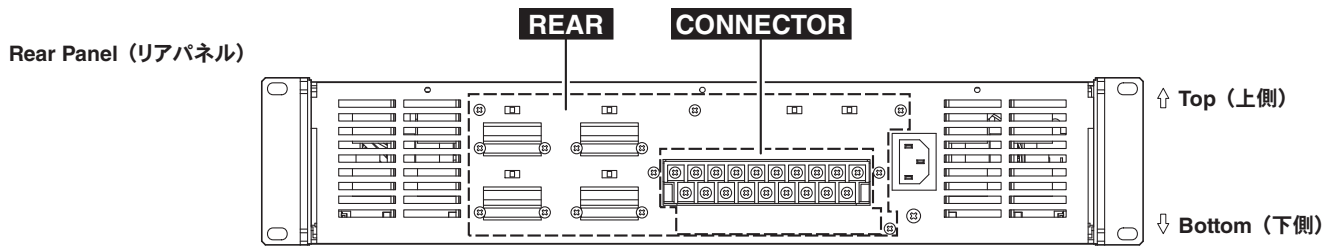
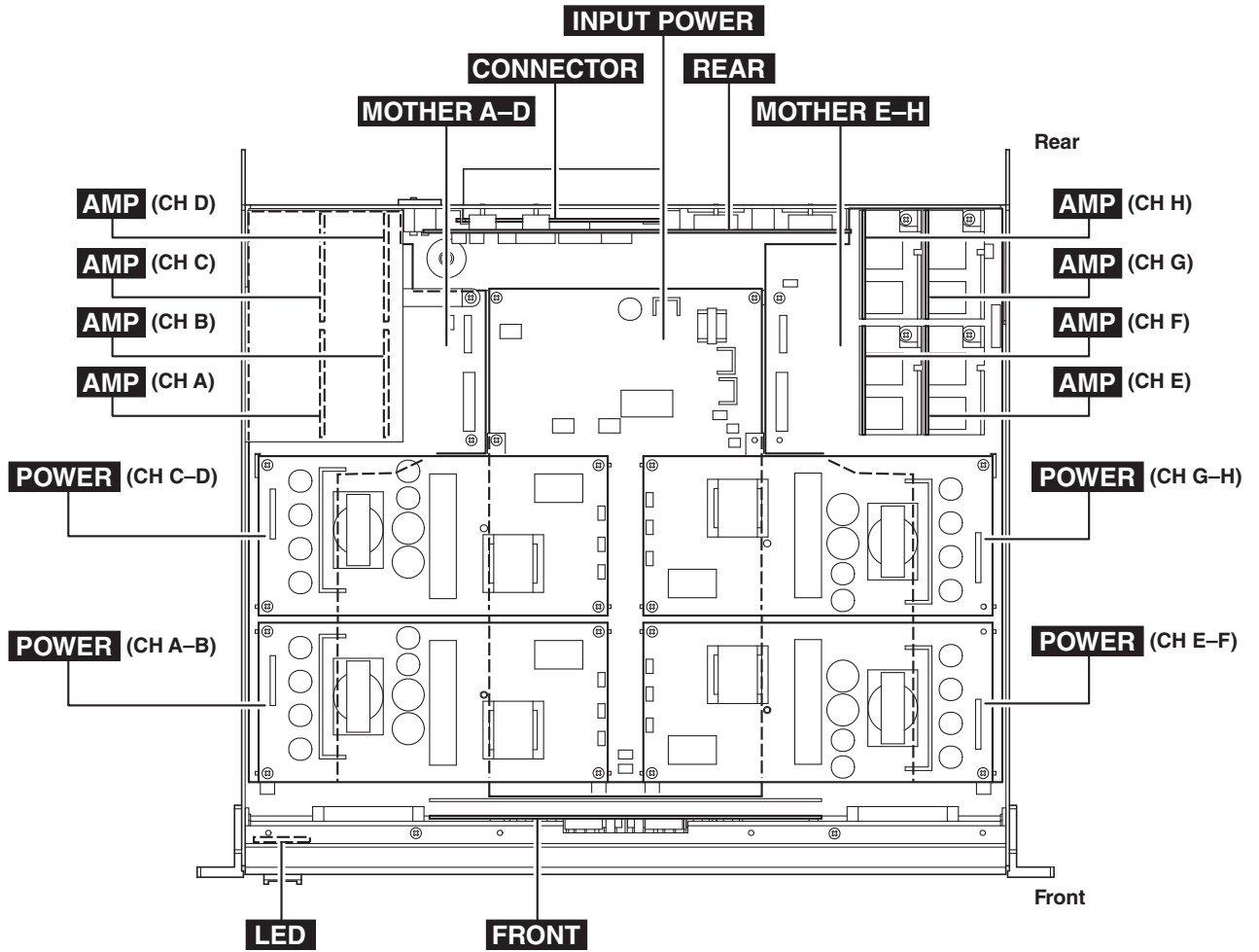
- |                              |                                   |                     |                   |
|------------------------------|-----------------------------------|---------------------|-------------------|
| 1 POWER switch and indicator | 7 MUTE switch                     | 1 POWER スイッチ、インジケータ | 7 MUTE スイッチ       |
| 2 PROTECT indicator          | 8 PARALLEL indicator              | 2 PROTECT インジケータ    | 8 PARALLEL インジケータ |
| 3 CLIP indicator             | 9 BRIDGE indicator                | 3 CLIP インジケータ       | 9 BRIDGE インジケータ   |
| 4 SIGNAL indicator           | 10 Screw holes for security cover | 4 SIGNAL インジケータ     | 10 セキュリティーカバー用ネジ穴 |
| 5 Attenuator                 | 11 Air intakes                    | 5 アッテネータ            | 11 吸気口            |
| 6 MUTE indicator             |                                   | 6 MUTE インジケータ       |                   |

### • Rear Panel (リアパネル)



- |  |   |
|--|---|
| 1 INPUT connectors   | 1 INPUT 端子  |
| 2 SPEAKERS connectors  | 2 SPEAKERS 端子                                       |
| 3 MODE switches<br>(STEREO mode, BRIDGE mode, PARALLEL mode) | 3 MODE スイッチ<br>(STEREO モード、BRIDGE モード、PARALLEL モード) |
| 4 GAIN switch<br>(+4 dBu, 26 dB, 32 dB)                      | 4 GAIN スイッチ<br>(+4 dBu, 26 dB, 32 dB)               |
| 5 HPF switch   | 5 HPF スイッチ  |
| 6 Ground screw   | 6 アース用ネジ  |
| 7 AC inlet   | 7 AC インレット  |

# ■ CIRCUIT BOARD LAYOUT (ユニットレイアウト)



## ■ SERVICE PRECAUTIONS (サービス時の注意)

### Safety measures

- Some component parts on the INPUT POWER circuit board and POWER circuit boards maintain a high voltage even when the power is switched off.

For this reason to avoid an electrical shock, do not touch the upper metallic part of the following capacitors until the remaining voltage has discharged.

#### [Discharging Method]

Before starting the service work, connect discharging resistors (220 ohms 10W) to the terminals indicated in the figure below to discharge electricity. (13 points)

The required discharging time is about 10 seconds per each. Check that the DC voltage between the terminals measures close to 0 (zero) volts using a multi-meter to make sure that the discharge is completed.

### 安全対策

- INPUT POWER シート、POWER シートの部品の一部には電源 OFF 状態でも高電圧が残ります。

感電防止のため、残った電圧を放電するまで下記のコンデンサの上部の金属部分に触らないでください。

#### [放電方法]

修理作業を始める前に、放電抵抗 (220 Ω、10 W) を下図に示す放電用の端子間に接続します。(13箇所)

放電に必要な時間は各々約 10 秒です。放電完了確認のため、端子間電圧がほぼ 0 (ゼロ) Vであることをテスターでチェックします。

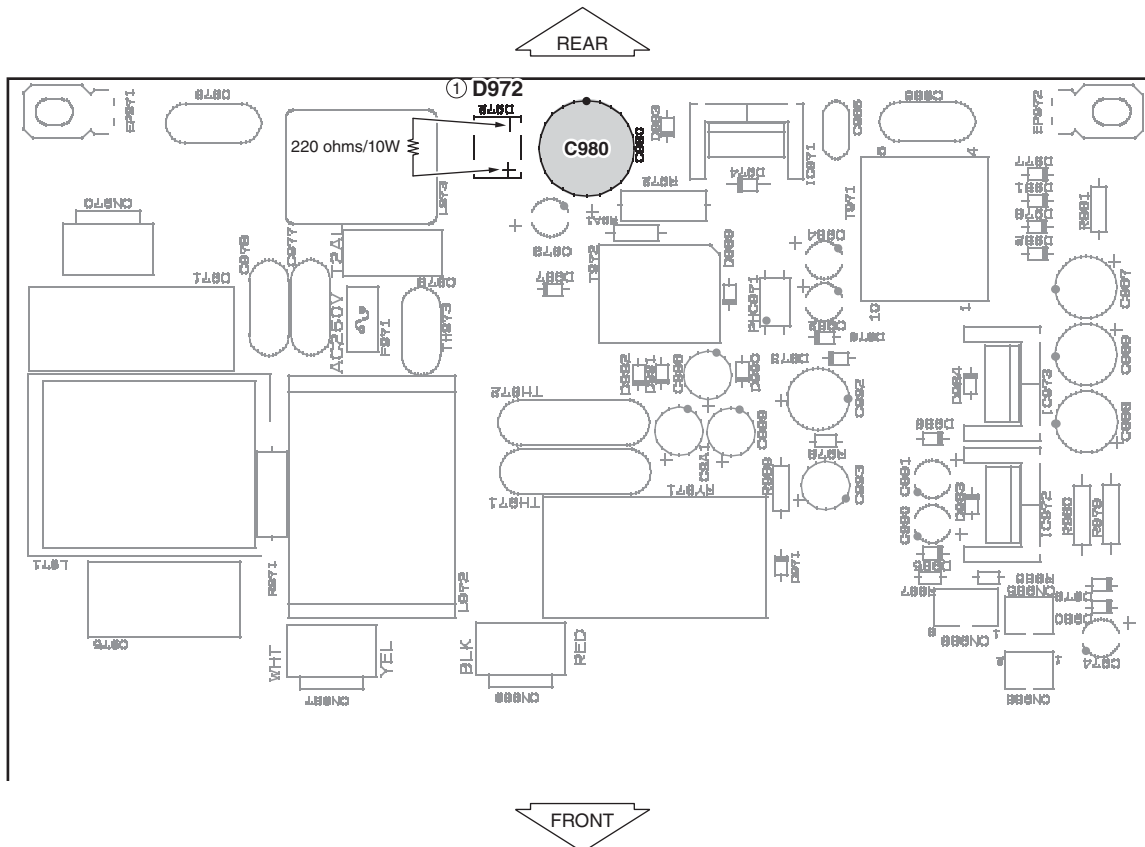
### INPUT POWER circuit board

Capacitors / コンデンサ	Discharging point / 放電箇所
C980	① D972: + pin <==> D972: - pin

### POWER circuit board x 4

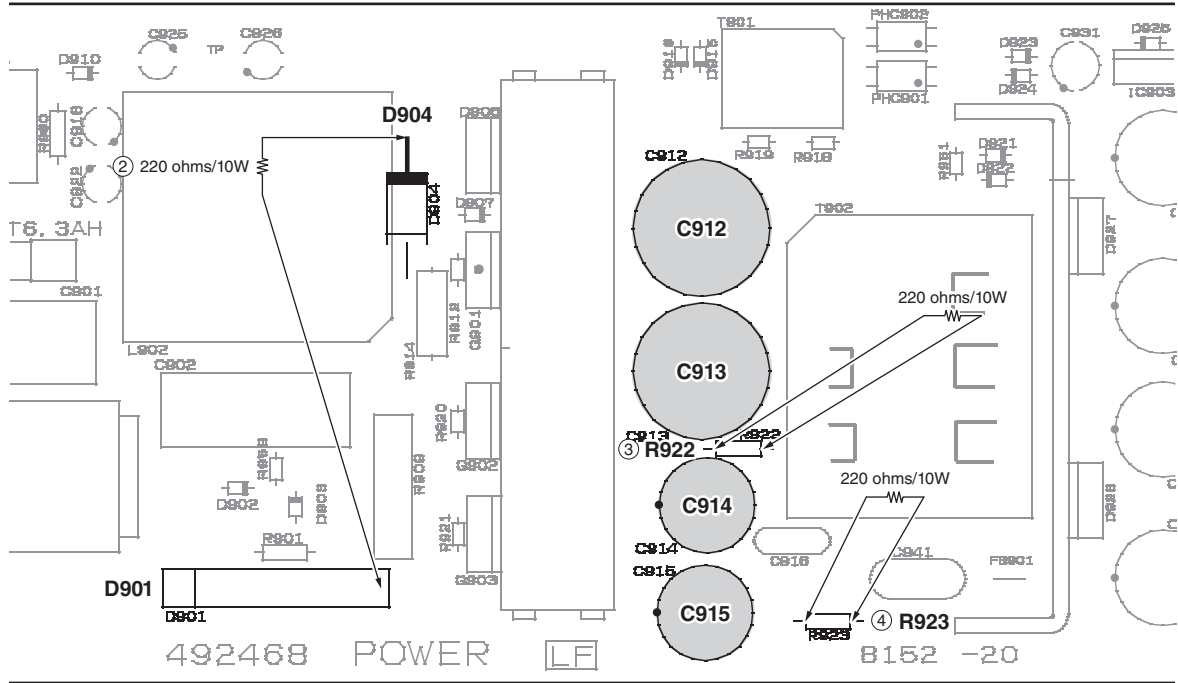
Capacitors / コンデンサ	Discharging point / 放電箇所
C912, C913	② D904: cathode <==> D901: - pin
C914	③ Between both terminals of R922
C915	④ Between both terminals of R923

### INPUT POWER cricuit board

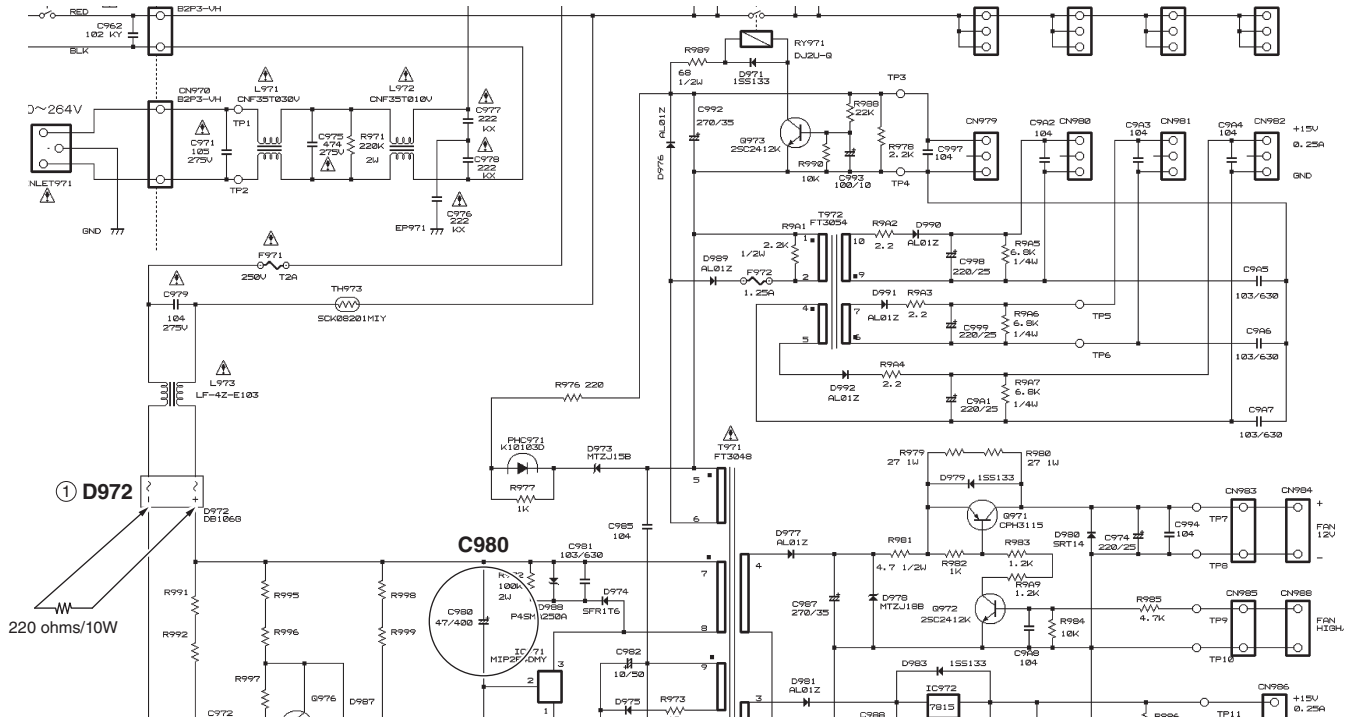




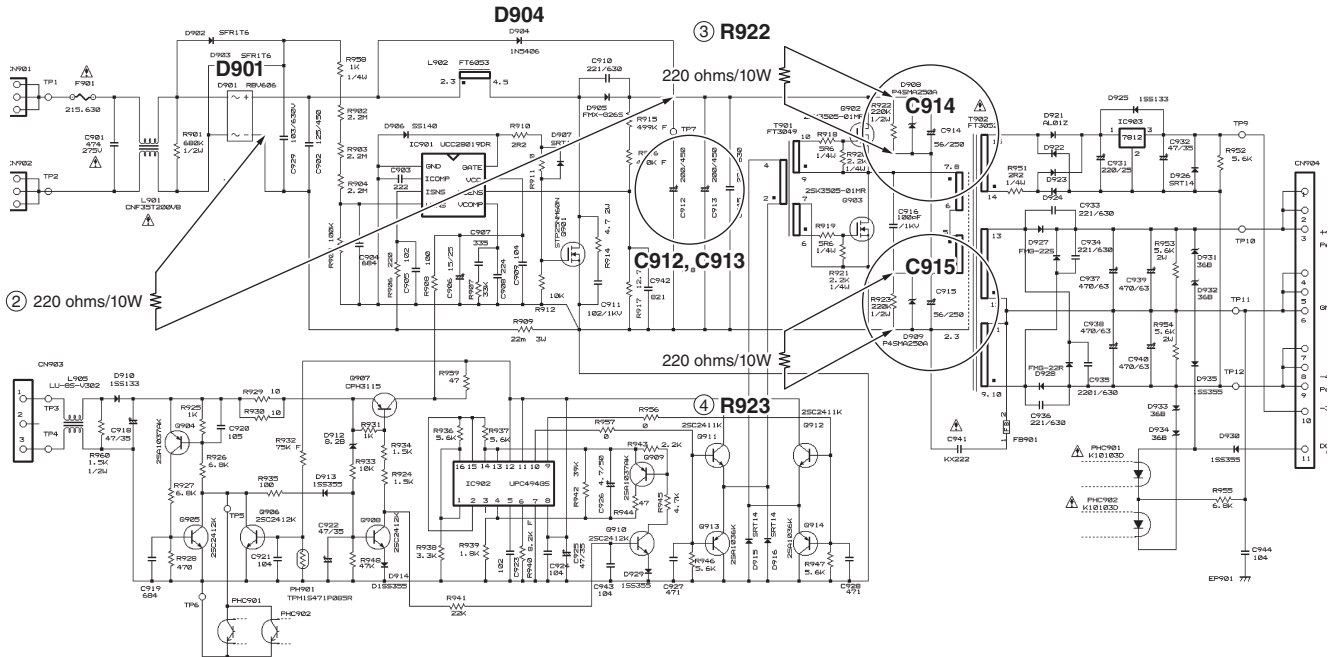
POWER circuit board x 4



INPUT POWER circuit diagram



POWER circuit diagram x 4



## ■ DISASSEMBLY PROCEDURES (分解手順)

### 1. Top Cover and L Angles

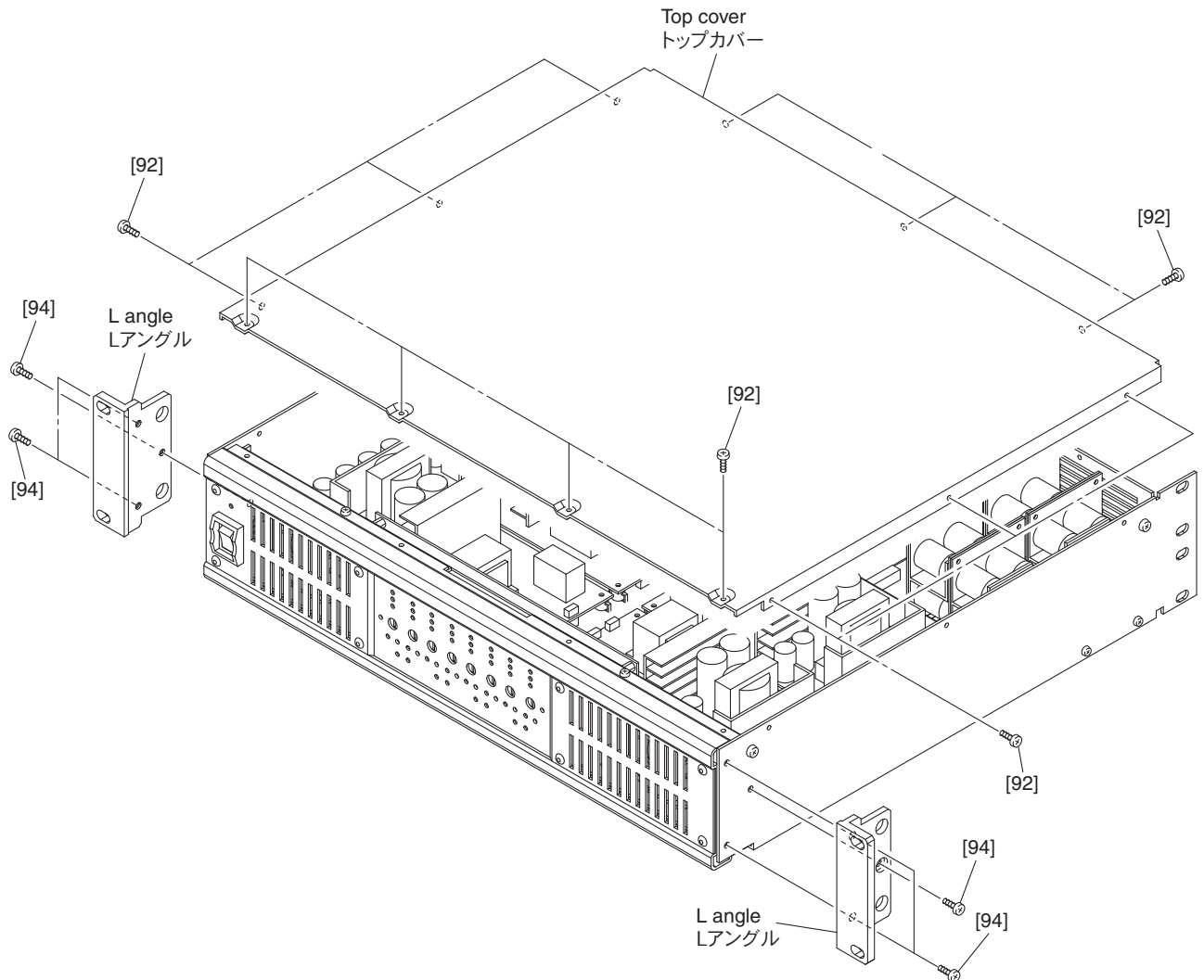
(Time required: about 3 minutes)

- 1-1. Remove the thirteen (13) screws marked [92]. The top cover can then be removed. (Fig. 1)
- 1-2. Remove the six (6) screws marked [94]. The two (2) L angles can then be removed. (Fig. 1)

### 1. トップカバー、L アングル

(所要時間：約 3 分)

- 1-1. [92] のネジ 13 本を外し、トップカバーを外します。(図 1)
- 1-2. [94] のネジ 6 本を外し、L アングル 2 個を外します。(図 1)



[92]: BIND HEAD TAPPING SCREW-B 3x8 MFZN2BL (WS522000) B タイト+ BIND

[94]: BIND HEAD TAPPING SCREW-B 4x8 NI-BL (WP183100) B タイト+ BIND

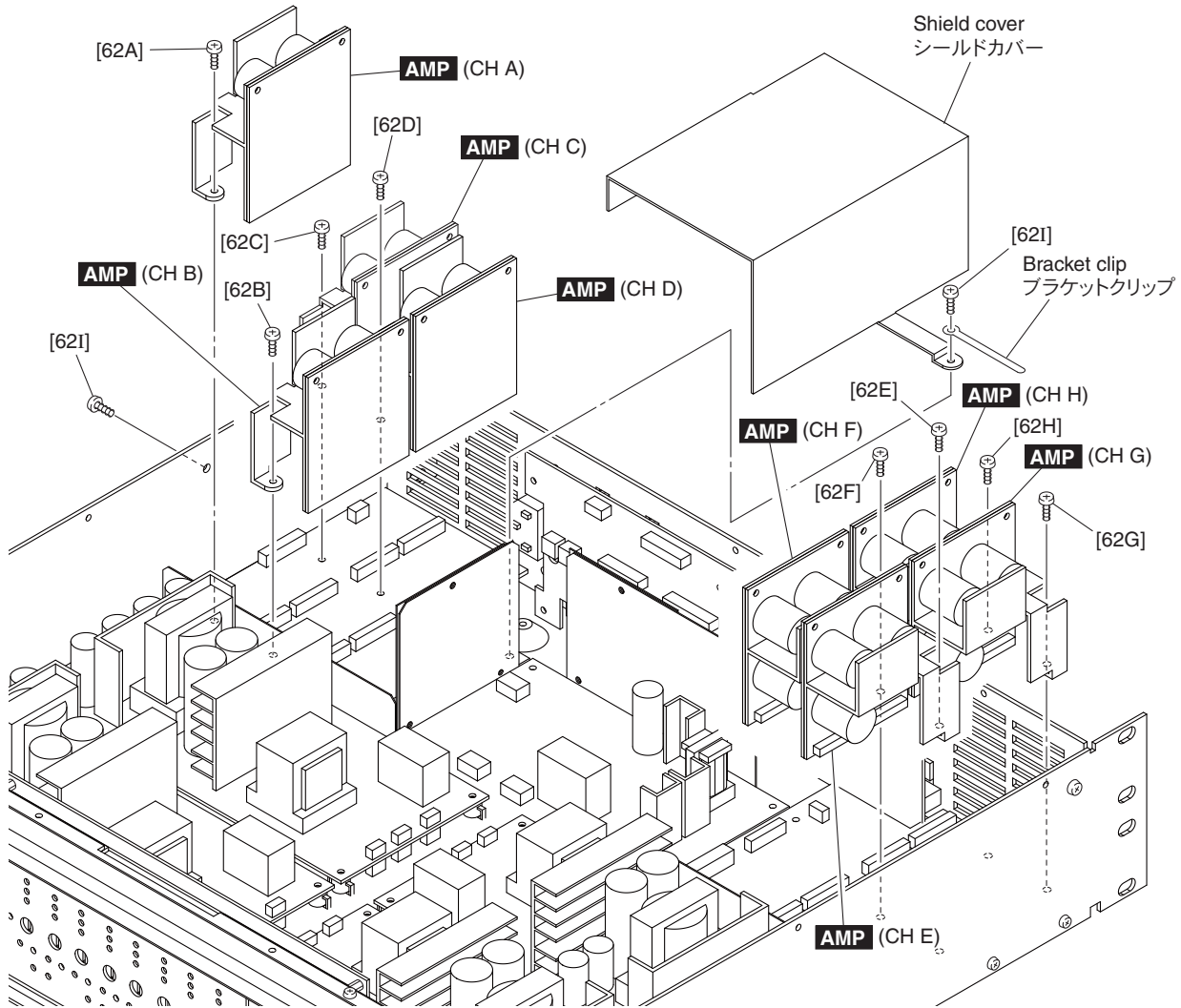
Fig. 1 (図 1)

## 2. AMP Circuit Boards (Time required: about 7 minutes)

- 2-1. Remove the top cover. (See procedure 1.)
- 2-2. Remove the two (2) screws marked [62I], the bracket clip and the shield cover. (Fig. 2)
- 2-3. Remove the screw marked [62A]. The AMP circuit board (channel A) can then be removed. (Fig. 2)
- 2-4. In the same manner, the AMP circuit boards (channel B, C, D, E, F, G, H) can then be removed. (Fig. 2)

## 2. AMP シート (所要時間：約 7 分)

- 2-1. トップカバーを外します。(1 項参照)
- 2-2. [62I] のネジ 2 本、ブラケットクリップ、シールドカバーを外します。(図 2)
- 2-3. [62A] のネジを外し、AMP シート (チャンネル A) を外します。(図 2)
- 2-4. 同様の方法で、AMP シート (チャンネル B、C、D、E、F、G、H) を外します。(図 2)



- [62A]: BIND HEAD TAPPING SCREW-B 3x8 MFZN2BL (WS522000) B タイト + BIND  
 [62B]: BIND HEAD TAPPING SCREW-B 3x8 MFZN2BL (WS522000) B タイト + BIND  
 [62C]: BIND HEAD TAPPING SCREW-B 3x8 MFZN2BL (WS522000) B タイト + BIND  
 [62D]: BIND HEAD TAPPING SCREW-B 3x8 MFZN2BL (WS522000) B タイト + BIND  
 [62E]: BIND HEAD TAPPING SCREW-B 3x8 MFZN2BL (WS522000) B タイト + BIND  
 [62F]: BIND HEAD TAPPING SCREW-B 3x8 MFZN2BL (WS522000) B タイト + BIND  
 [62G]: BIND HEAD TAPPING SCREW-B 3x8 MFZN2BL (WS522000) B タイト + BIND  
 [62H]: BIND HEAD TAPPING SCREW-B 3x8 MFZN2BL (WS522000) B タイト + BIND  
 [62I]: BIND HEAD TAPPING SCREW-B 3x8 MFZN2BL (WS522000) B タイト + BIND

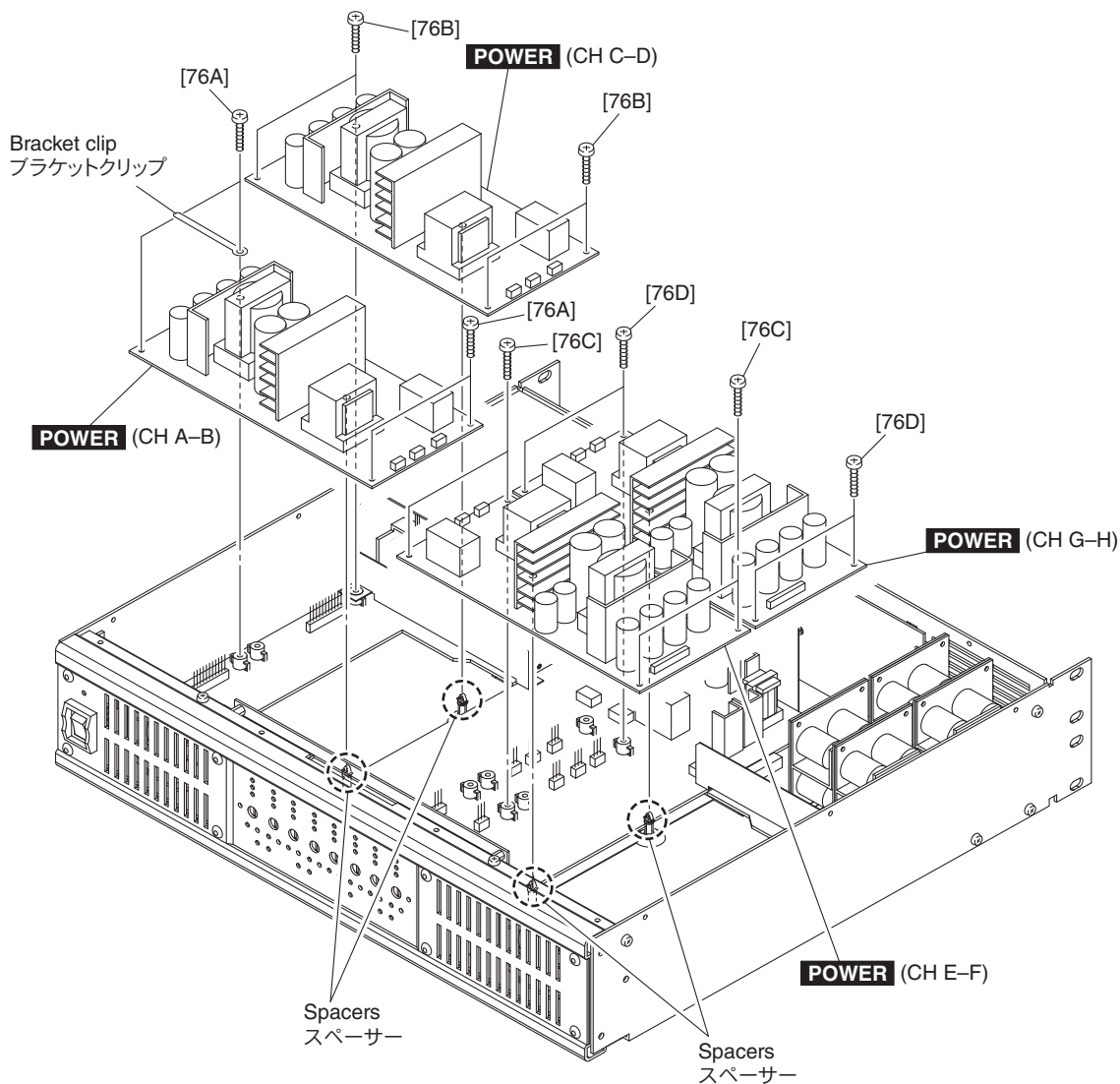
Fig. 2 (図 2)

### 3. POWER Circuit Boards (Time required: about 6 minutes)

- 3-1. Remove the top cover. (See procedure 1.)
- 3-2. Remove the four (4) screws marked [76A] and the bracket clip. Release the spacer. The POWER circuit board (channel A-B) can then be removed. (Fig. 3)
- 3-3. Remove the four (4) screws marked [76B]. Release the spacer. The POWER circuit board (channel C-D) can then be removed. (Fig. 3)
- 3-4. In the same manner, the POWER circuit boards (channel E-F, G-H) can then be removed. (Fig. 3)

### 3. POWER シート (所要時間：約 6 分)

- 3-1. トップカバーを外します。(1 項参照)
- 3-2. [76A] のネジ 4 本、ブラケットクリップを外します。スペーサーを解除し、POWER シート (チャンネル A-B) を外します。(図 3)
- 3-3. [76B] のネジ 4 本を外します。スペーサーを解除し、POWER シート (チャンネル C-D) を外します。(図 3)
- 3-4. 同様の方法で、POWER シート (チャンネル E-F、G-H) を外します。(図 3)



- [76A]: BIND HEAD TAPPING SCREW-B 3.0x16 NI-BL (WT892700) B タイト+ BIND  
 [76B]: BIND HEAD TAPPING SCREW-B 3.0x16 NI-BL (WT892700) B タイト+ BIND  
 [76C]: BIND HEAD TAPPING SCREW-B 3.0x16 NI-BL (WT892700) B タイト+ BIND  
 [76D]: BIND HEAD TAPPING SCREW-B 3.0x16 NI-BL (WT892700) B タイト+ BIND

Fig. 3 (図 3)

#### 4. MOTHER A-D circuit board (Time required: about 8 minutes)

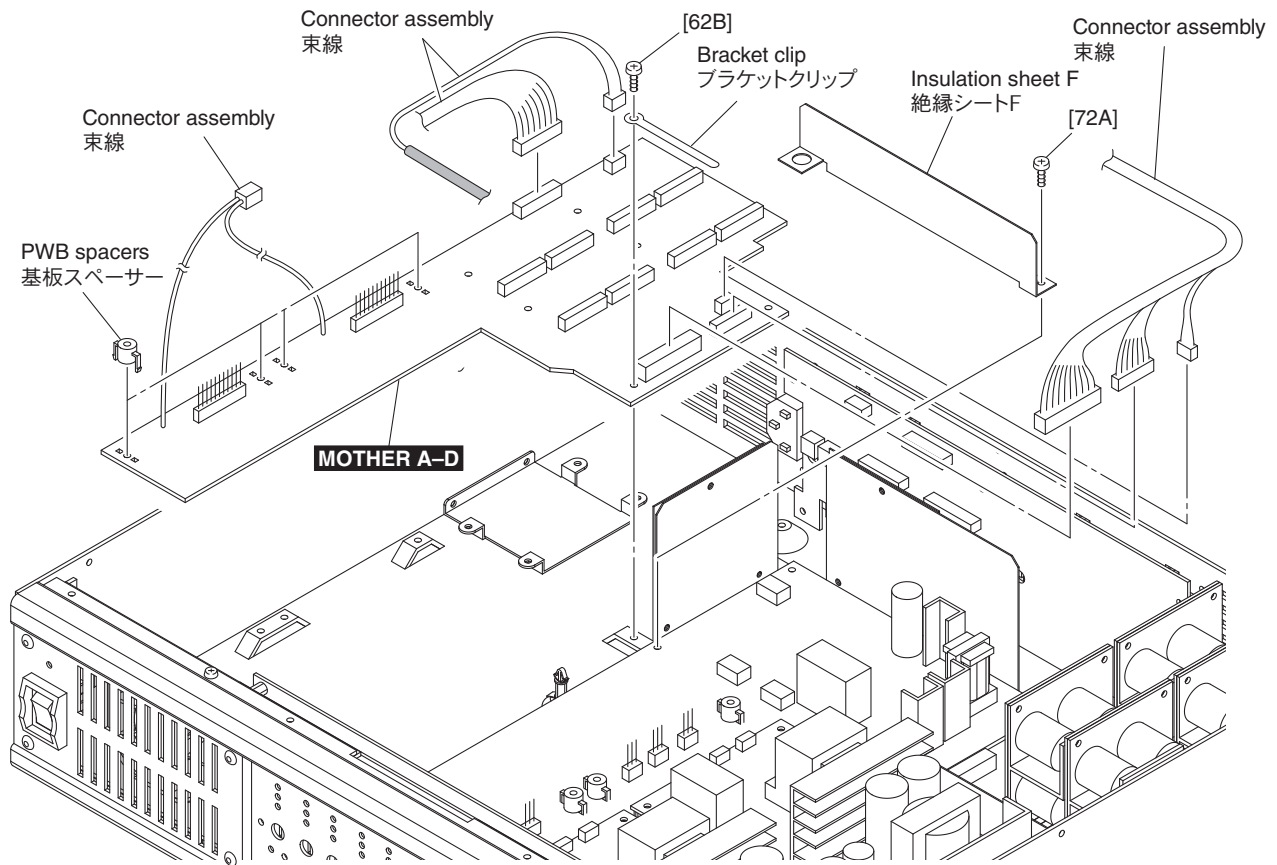
- 4-1. Remove the top cover. (See procedure 1.)
- 4-2. Remove the AMP circuit boards (channel A, B, C, D). (See procedure 2.)
- 4-3. Remove the POWER circuit boards (channel A-B, C-D). (See procedure 3.)
- 4-4. Remove the screw marked [72A] and the insulation sheet F. (Fig. 4)
- 4-5. Remove the screw marked [62B] and the bracket clip. The MOTHER A-D circuit board can then be removed. (Fig. 4)

**Note:** The four (4) PWB spacers are not component parts of the MOTHER A-D circuit board. When replacing the MOTHER A-D circuit board, remove them from old circuit board and install them to new circuit board.

#### 4. MOTHER A-D シート (所要時間：約 8 分)

- 4-1. トップカバーを外します。(1 項参照)
- 4-2. AMP シート (チャンネル A、B、C、D) を外します。(2 項参照)
- 4-3. POWER シート (チャンネル A-B、C-D) を外します。(3 項参照)
- 4-4. [72A] のネジ、絶縁シート F を外します。(図 4)
- 4-5. [62B] のネジ、ブラケットクリップを外し、MOTHER A-D シートを外します。(図 4)

**注意：** 基板スペーサー 4 個は、MOTHER A-D シートの構成部品ではありません。MOTHER A-D シートを交換する際には、基板スペーサー 4 個を古いシートから外して、新しいシートに取り付けてください。



[62B]: BIND HEAD TAPPING SCREW-B 3x8 MFZN2BL (WS522000) B タイト+ BIND  
 [72A]: BIND HEAD TAPPING SCREW-B 3x8 MFZN2BL (WS522000) B タイト+ BIND

Fig. 4 (図 4)

## 5. MOTHER E-H circuit board (Time required: about 8 minutes)

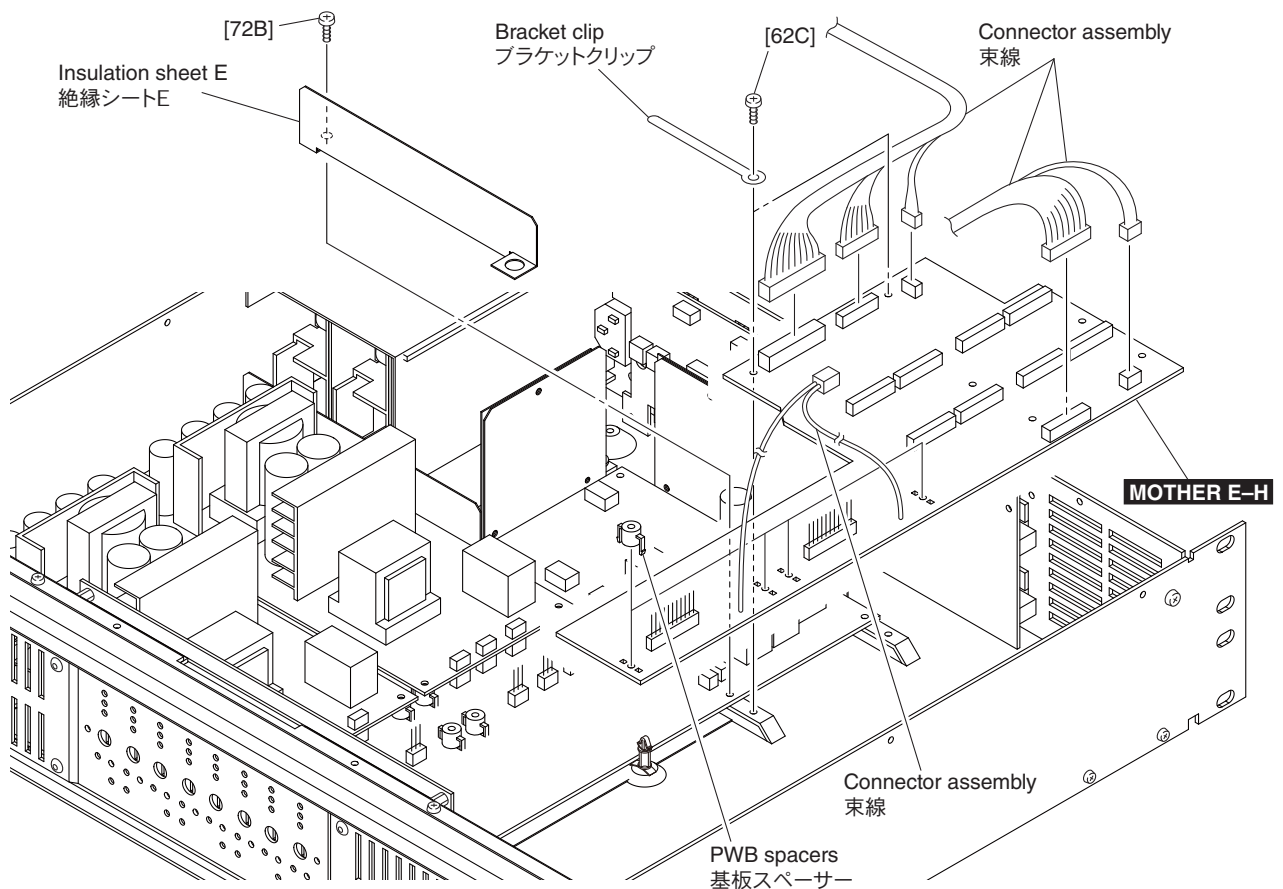
- 5-1. Remove the top cover. (See procedure 1.)
- 5-2. Remove the AMP circuit boards (channel E, F, G, H). (See procedure 2.)
- 5-3. Remove the POWER circuit boards (channel E-F, G-H). (See procedure 3.)
- 5-4. Remove the screw marked [72B] and the insulation sheet E. (Fig. 5)
- 5-5. Remove the two (2) screws marked [62C] and the two (2) bracket clips. The MOTHER E-H circuit board can then be removed. (Fig. 5)

**Note:** The four (4) PWB spacers are not component parts of the MOTHER E-H circuit board. When replacing the MOTHER E-H circuit board, remove them from old circuit board and install them to new circuit board.

## 5. MOTHER E-H シート (所要時間：約 8 分)

- 5-1. トップカバーを外します。(1 項参照)
- 5-2. AMP シート (チャンネル E、F、G、H) を外します。(2 項参照)
- 5-3. POWER シート (チャンネル E-F、G-H) を外します。(3 項参照)
- 5-4. [72B] のネジ、絶縁シート E を外します。(図 5)
- 5-5. [62C] のネジ 2 本、ブラケットクリップ 2 個を外し、MOTHER E-H シートを外します。(図 5)

**注意：** 基板スペーサー 4 個は、MOTHER E-H シートの構成部品ではありません。MOTHER E-H シートを交換する際には、基板スペーサー 4 個を古いシートから外して、新しいシートに取り付けてください。



[62C]: BIND HEAD TAPPING SCREW-B 3x8 MFZN2BL (WS522000) B タイト+ BIND  
 [72B]: BIND HEAD TAPPING SCREW-B 3x8 MFZN2BL (WS522000) B タイト+ BIND

Fig. 5 (図 5)

## 6. INPUT POWER Circuit Board (Time required: about 9 minutes)

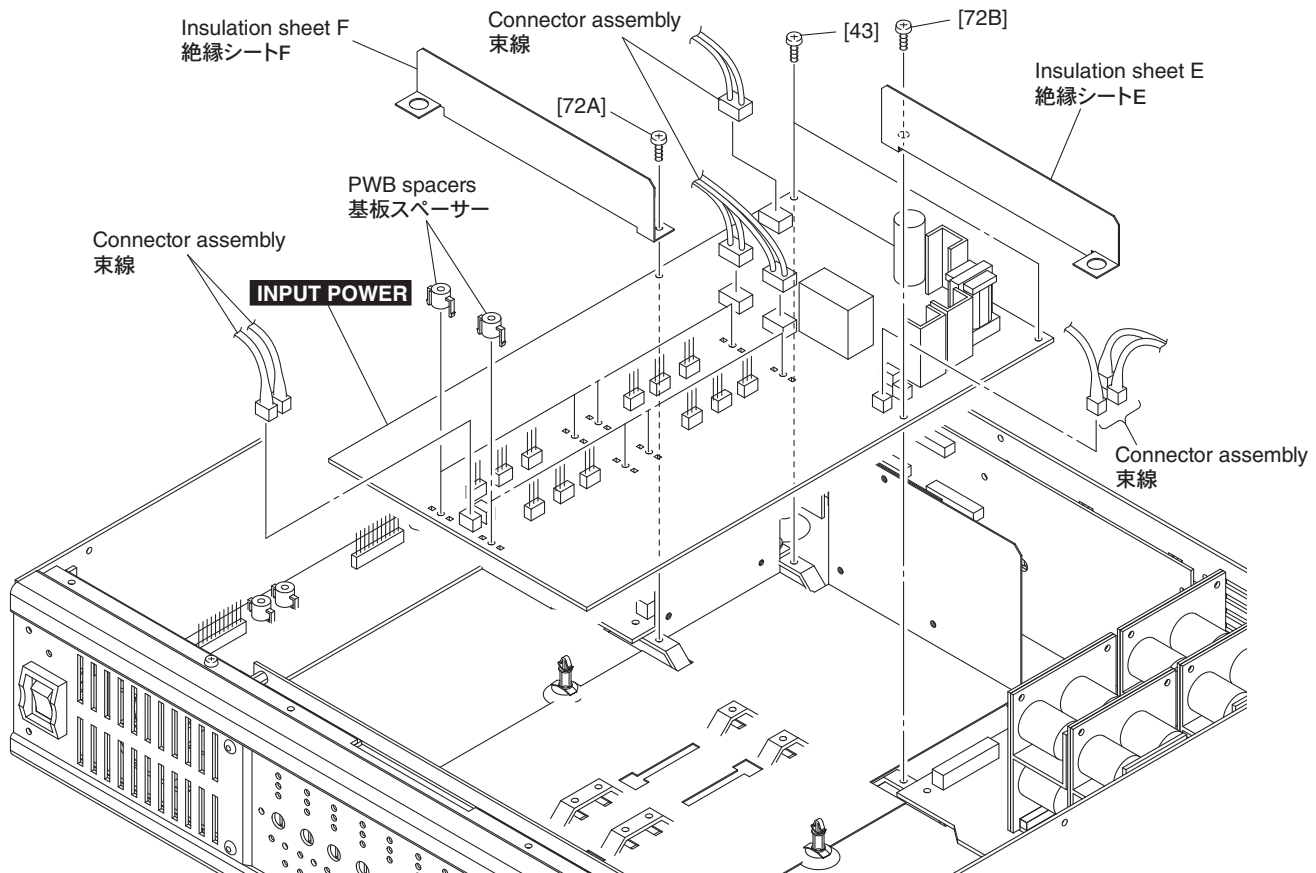
- 6-1. Remove the top cover. (See procedure 1.)
- 6-2. Remove all the POWER circuit boards.  
(See procedure 3.)
- 6-3. Remove the screw marked [72A] and the insulation sheet F. (Fig. 6)
- 6-4. Remove the screw marked [72B] and the insulation sheet E. (Fig. 6)
- 6-5. Remove the two (2) screws marked [43]. (Fig. 6)
- 6-6. Disconnect all the connector assemblies from the INPUT POWER circuit board. The INPUT POWER circuit board can then be removed. (Fig. 6)

**Note:** The eight (8) PWB spacers are not component parts of the INPUT POWER circuit board. When replacing the INPUT POWER circuit board, remove them from old circuit board and install them to new circuit board.

## 6. INPUT POWER シート (所要時間：約 9 分)

- 6-1. トップカバーを外します。(1 項参照)
- 6-2. すべての POWER シートを外します。(3 項参照)
- 6-3. [72A] のネジ、絶縁シート F を外します。(図 6)
- 6-4. [72B] のネジ、絶縁シート E を外します。(図 6)
- 6-5. [43] のネジ 2 本を外します。(図 6)
- 6-6. INPUT POWER シートからすべての束線を外し、INPUT POWER シートを外します。(図 6)

**注意：** 8 個の基板スペーサーは、INPUT POWER シートの構成部品ではありません。INPUT POWER シートを交換する際には、古いシートから基板スペーサーを取り外して新しいシートへ取り付けてください。



- [43]: BIND HEAD TAPPING SCREW-B 3x8 MFZN2BL (WS522000) B タイト+ BIND  
 [72A]: BIND HEAD TAPPING SCREW-B 3x8 MFZN2BL (WS522000) B タイト+ BIND  
 [72B]: BIND HEAD TAPPING SCREW-B 3x8 MFZN2BL (WS522000) B タイト+ BIND

Fig. 6 (図 6)



## 7. REAR Circuit Board (Time required: about 5 minutes)

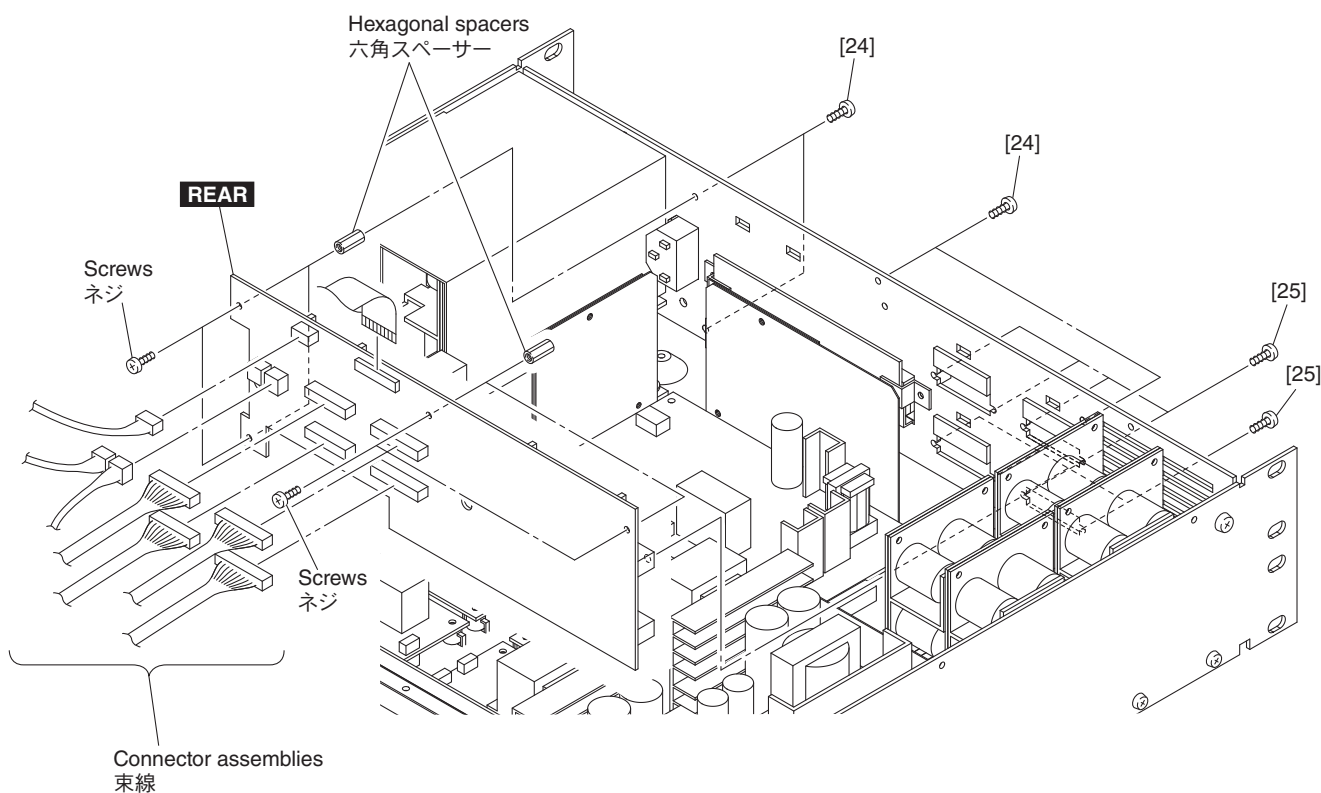
- 7-1. Remove the top cover. (See procedure 1.)
- 7-2. Remove the eight (8) screws marked [25] and the four (4) screws marked [24]. (Fig. 7)
- 7-3. Disconnect all the connector assemblies from the REAR circuit board. The REAR circuit board can then be removed together with the four (4) hexagonal spacers and four (4) screws. (Fig. 7)

**Note:** The four (4) hexagonal spacers and four (4) screws are not component parts of the REAR circuit board. When replacing the REAR circuit board, remove them from old circuit board and install them to new circuit board.

## 7. REAR シート (所要時間：約 5 分)

- 7-1. トップカバーを外します。(1 項参照)
- 7-2. [25]のネジ 8 本、[24]のネジ 4 本を外します。(図 7)
- 7-3. REAR シートからすべての束線を外し、REAR シートを六角スペーサー 4 本、ネジ 4 本と共に外します。(図 7)

**注意：**六角スペーサー 4 本、ネジ 4 本は、REAR シートの構成部品ではありません。REAR シートを交換する際には、古いシートから六角スペーサー 4 本、ネジ 4 本を外して、新しいシートに取り付けてください。



- [24]: BIND HEAD SCREW 3x6 MFZN2B3 (WS522500) 小ネジ+ BIND  
 [25]: PAN HEAD SCREW M2.6x6 NI-BL (WS522400) 小ネジ+ PAN

Fig. 7 (図 7)

## 8. CONNECTOR Circuit Board (Time required: about 13 minutes)

- 8-1. Remove the top cover. (See procedure 1.)
- 8-2. Remove all the POWER circuit boards.  
(See procedure 3.)
- 8-3. Remove the INPUT POWER circuit board.  
(See procedure 6.)
- 8-4. Remove the REAR circuit board. (See procedure 7.)
- 8-5. Remove the two (2) screws marked [13]. (Fig. 8)
- 8-6. Disconnect the connector assemblies from the CONNECTOR circuit board. The CONNECTOR circuit board can then be removed together with the two (2) bracket terminals and two (2) screws. (Fig. 8)

**Note:** The two (2) bracket terminals and two (2) screws are not component parts of the CONNECTOR circuit board. When replacing the CONNECTOR circuit board, remove them from old circuit board and install them to new circuit board.

## 9. AC Inlet Assembly (Time required: about 6 minutes)

- 9-1. Remove the top cover. (See procedure 1.)
- 9-2. Remove the AMP circuit board (channel D).  
(See procedure 2.)
- 9-3. Remove the screw marked [15], and remove the lug terminal of the AC inlet assembly and the toothed lock washer. (Fig. 8)
- 9-4. Disconnect the AC inlet connector assembly connector from the INPUT POWER circuit board. (Fig. 8)
- 9-5. Release the two (2) hooks of the AC inlet. The AC inlet assembly can then be removed. (Fig. 8)

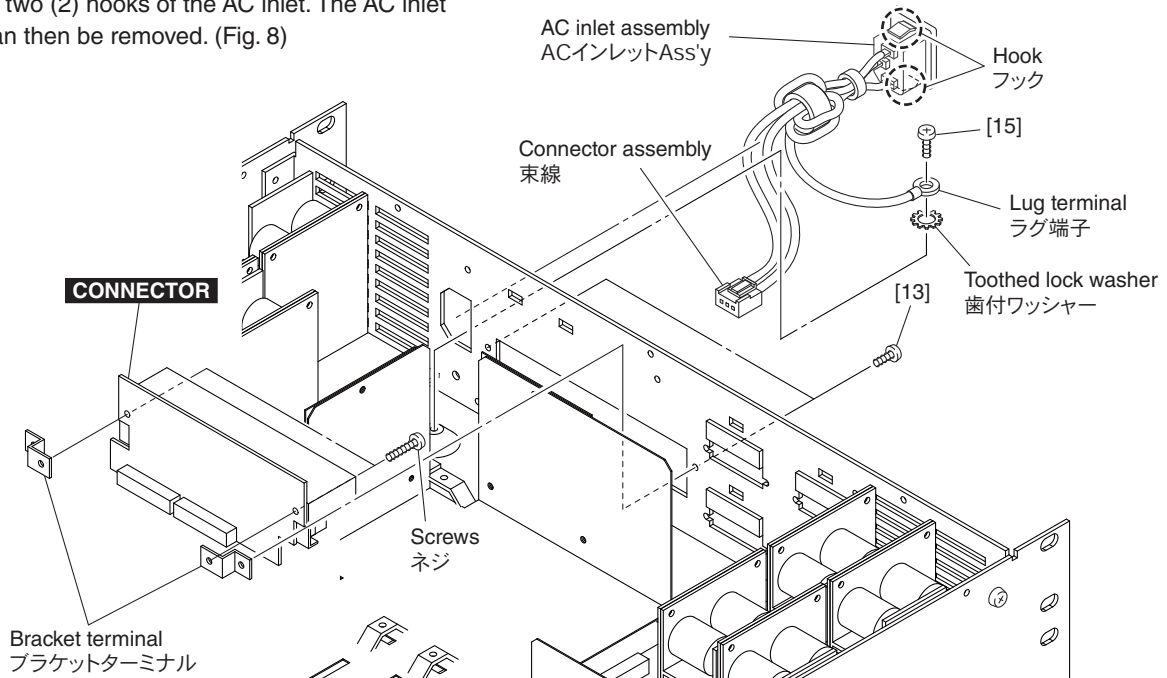
## 8. CONNECTOR シート (所要時間：約 13 分)

- 8-1. トップカバーを外します。(1 項参照)
- 8-2. すべての POWER シートを外します。(3 項参照)
- 8-3. INPUT POWER シートを外します。(6 項参照)
- 8-4. REAR シートを外します。(7 項参照)
- 8-5. [13] のネジ 2 本を外します。(図 8)
- 8-6. CONNECTOR シートからすべての束線を外し、CONNECTOR シートをブラケットターミナル 2 個、ネジ 2 本と共に外します。(図 8)

**注意：** ブラケットターミナル 2 個、ネジ 2 本は、CONNECTOR シートの構成部品ではありません。CONNECTOR シートを交換する際には、古いシートからブラケットターミナル 2 個、ネジ 2 本を外し、新しいシートに取り付けます。

## 9. AC インレット Ass'y (所要時間：約 6 分)

- 9-1. トップカバーを外します。(1 項参照)
- 9-2. AMP シート (チャンネル D) を外します。(2 項参照)
- 9-3. [15] のネジを外し、AC インレット Ass'y のラグ端子と歯付ワッシャーを外します。(図 8)
- 9-4. INPUT POWER シートから、AC インレット Ass'y の束線を外します。(図 8)
- 9-5. AC インレットの 2 ヶ所のフックを解除し、AC インレット Ass'y を外します。(図 8)



- [13]: BIND HEAD TAPPING SCREW-B 3x8 MFZN2BL (WS522000) B タイト+ BIND  
 [15]: BIND HEAD SCREW M4x8 CR3 BLACK (WS522700) 小ネジ+ BIND

Fig. 8 (図 8)

## 10. Front Panel, Deco Panel Assembly and Power Switch Assembly (Time required: about 8 minutes)

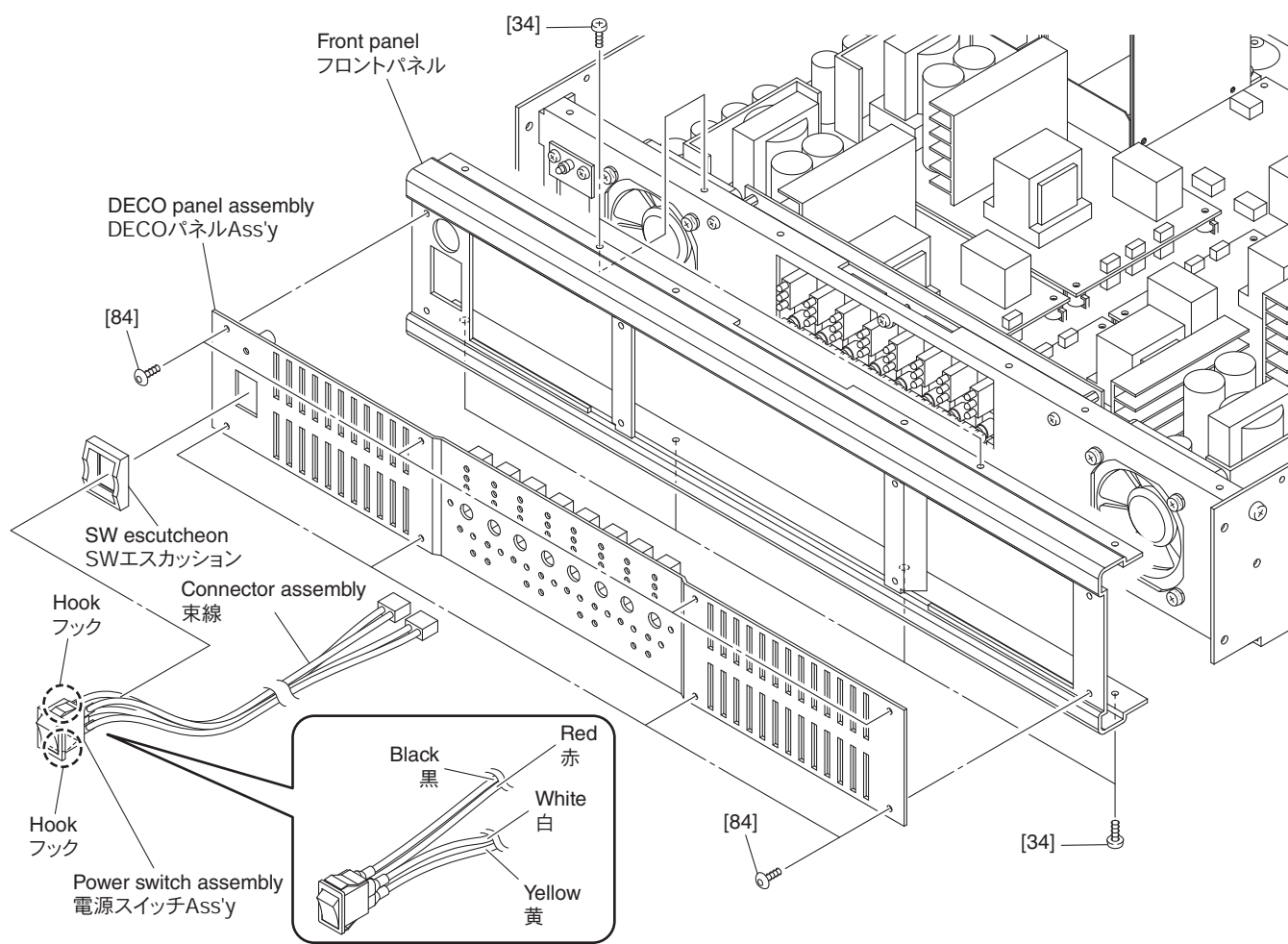
- 10-1. Remove the top cover. (See procedure 1.)
- 10-2. Disconnect the wires of the power switch assembly from the INPUT POWER circuit board. (Fig. 9)
- 10-3. Remove the six (6) screws marked [34]. The front panel can then be removed together with the deco panel assembly and power switch assembly. (Fig. 9)
- 10-4. Remove the eight (8) screws marked [84]. The deco panel assembly can then be removed together with the power switch assembly from the front panel. (Fig. 9)
- 10-5. Release the two (2) hooks of the power switch. The power switch assembly and the SW escutcheon can then be removed from the deco panel assembly. (Fig. 9)

**Note:** When installing the power switch assembly, set the red/black cables to the left side and the yellow/white cables to the right side in order to set its ON/OFF position normal.

## 10. フロントパネル、DECO パネル Ass'y、電源スイッチ Ass'y (所要時間：約 8 分)

- 10-1. トップカバーを外します。(1 項参照)
- 10-2. 電源スイッチの線材を、INPUT POWER シートから外します。(図 9)
- 10-3. [34] のネジ 6 本を外します。フロントパネルを、DECO パネル Ass'y、電源スイッチ Ass'y と共に外します。(図 9)
- 10-4. [84] のネジ 8 本を外し、DECO パネル Ass'y を電源スイッチ Ass'y と共にフロントパネルから外します。(図 9)
- 10-5. 電源スイッチのフック 2 箇所を解除し、電源スイッチ Ass'y と SW エスカッションを DECO パネル Ass'y から外します。(図 9)

**注意：**電源スイッチを取り付ける際には、スイッチの ON/OFF 位置を正しくするために、赤 / 黒の線材を左側に、黄 / 白の線材を右側に位置させます。



[34]: BIND HEAD TAPPING SCREW-B 3x8 MFZN2BL (WS522000) B タイト+ BIND

[84]: HEXAGONAL TAPPING SCREW-B 3x8 NI-BL (WP927800) 六角穴付 B タイトネジ

Fig. 9 (図 9)

## 11. Fans (Time required: about 8 minutes)

- 11-1. Remove the top cover. (See procedure 1.)
- 11-2. Remove the front panel together with the deco panel assembly and power switch assembly. (See procedure 10.)

### Left Fan

- 11-3. Disconnect the left fan connector assembly from the INPUT POWER circuit board. (Fig. 10)
- 11-4. Remove the four (4) screws marked [3A] and four (4) hexagonal nuts marked [4A]. The left fan can then be removed. (Fig. 10)

### Right Fan

- 11-5. Disconnect the right fan connector assembly from the INPUT POWER circuit board. (Fig. 10)
- 11-6. Remove the four (4) screws marked [3B] and four (4) hexagonal nuts marked [4B]. The right fan can then be removed. (Fig. 10)

## 12. LED Circuit Board (Time required: about 5 minutes)

- 12-1. Remove the top cover. (See procedure 1.)
- 12-2. Remove the front panel together with the deco panel assembly and power switch assembly. (See procedure 10.)
- 12-3. Remove the two (2) screws marked [6]. (Fig. 10)
- 12-4. Disconnect the connector assembly from the LED circuit board. The LED circuit board can then be removed. (Fig. 10)

## 11. ファン (所要時間 : 約 8 分)

- 11-1. トップカバーを外します。(1 項参照)
- 11-2. フロントパネルを DECO パネル Ass'y、電源スイッチ Ass'y と共に外します。(10 項参照)

### 左側のファン

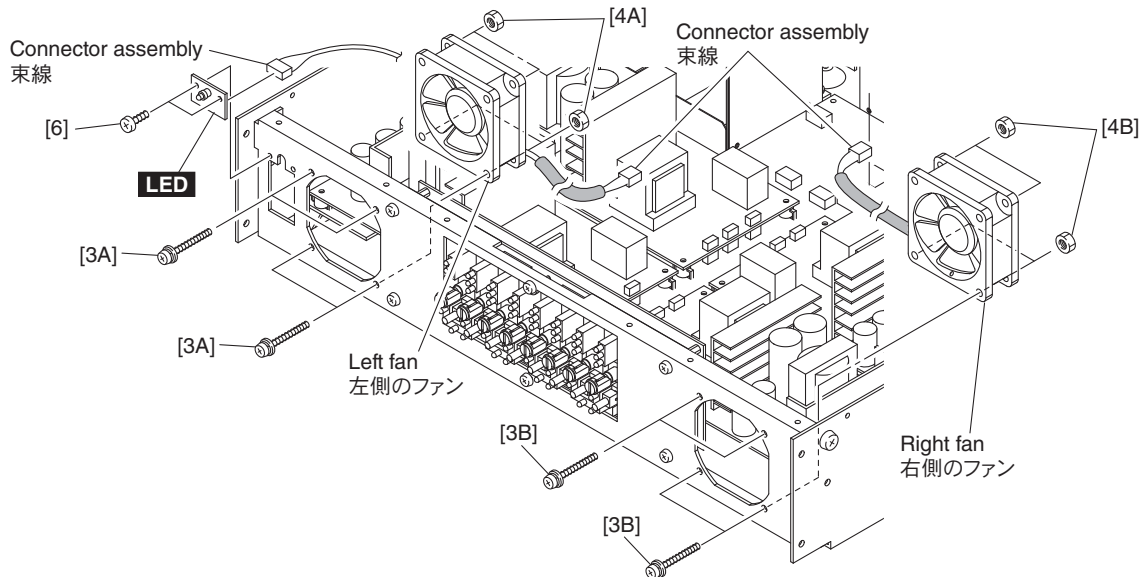
- 11-3. 左側のファンの線材を INPUT シートから外します。(図 10)
- 11-4. [3A] のネジ 4 本、[4A] の六角ナット 4 個を外し、左側のファンを外します。(図 10)

### 右側のファン

- 11-5. 右側のファンの束線を INPUT シートから外します。(図 10)
- 11-6. [3B] のネジ 4 本、[4B] の六角ナット 4 個を外し、右側のファンを外します。(図 10)

## 12. LED シート (所要時間 : 約 5 分)

- 12-1. トップカバーを外します。(1 項参照)
- 12-2. フロントパネルを DECO パネル Ass'y、電源スイッチ Ass'y と共に外します。(10 項参照)
- 12-3. [6] のネジ 2 本を外します。(図 10)
- 12-4. LED シートから束線を外し、LED シートを外します。(図 10)



- [3A]: PAN HEAD SCREW M4x35 CR3 BLACK (WS522200) 小ネジ+ PAN SP  
 [3B]: PAN HEAD SCREW M4x35 CR3 BLACK (WS522200) 小ネジ+ PAN SP  
 [4A]: HEXAGONAL NUT M4.0 CR3 (AAX61890) フランジ付き六角ナット  
 [4B]: HEXAGONAL NUT M4.0 CR3 (AAX61890) フランジ付き六角ナット  
 [6]: BIND HEAD TAPPING SCREW-B 3x8 MFZN2BL (WS522000) B タイト+ BIND

Fig. 10 (図 10)

### 13. FRONT Circuit Board Assembly (Time required: about 15 minutes)

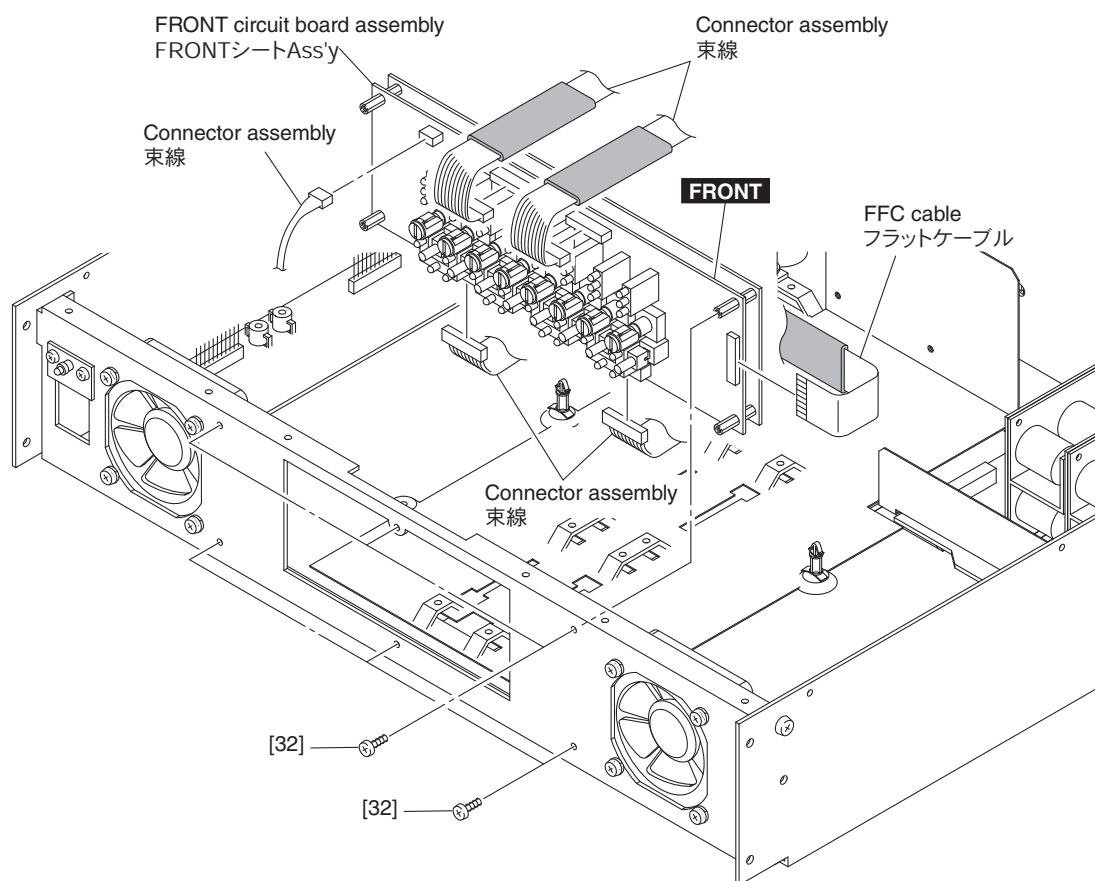
- 13-1. Remove the top cover. (See procedure 1.)
- 13-2. Remove all the POWER circuit boards.  
(See procedure 3.)
- 13-3. Remove the INPUT POWER circuit board.  
(See procedure 6.)
- 13-4. Remove the front panel together with the deco panel assembly and the power switch assembly.  
(See procedure 10.)
- 13-5. Disconnect all the connector assemblies from the FRONT circuit board. (Fig. 11)
- 13-6. Remove the six (6) screws marked [32]. The FRONT circuit board assembly can then be removed together with the . (Fig. 11)

**Note:** For details of the FRONT circuit board assembly, see parts list page xx.

### 13. FRONT シート Ass'y (所要時間：約 15 分)

- 13-1. トップカバーを外します。(1 項参照)
- 13-2. すべての POWER シートを外します。(3 項参照)
- 13-3. INPUT POWER シートを外します。(6 項参照)
- 13-4. フロントパネルを DECO パネル Ass'y、電源スイッチ Ass'y と共に外します。(10 項参照)
- 13-5. すべての束線を、FRONT シートから外します。  
(図 11)
- 13-6. [32] のネジ 6 本を外し、FRONT シート Ass'y を外します。(図 11)

**注意：** FRONT シート Ass'y の詳細については、パーツリスト xx ページを参照してください。



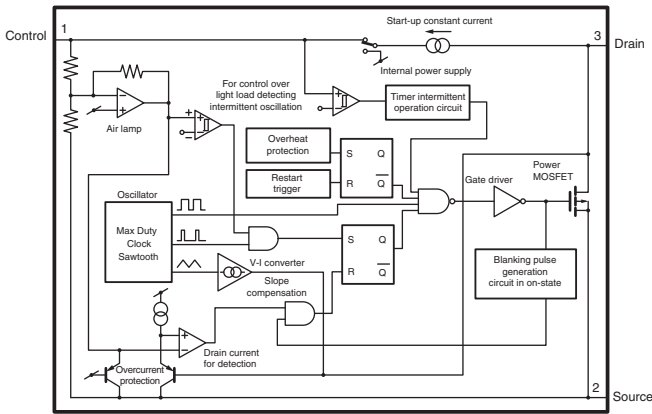
[32]: BIND HEAD SCREW 3x6 MFZN2B3 (WS522500) 小ネジ + BIND

Fig. 11 (図 11)

# IC BLOCK DIAGRAM (IC ブロック図)

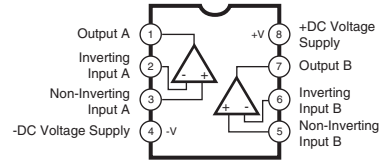
• **MIP2E4DMY (YA883A0)**

IPD  
INPUT POWER: IC971



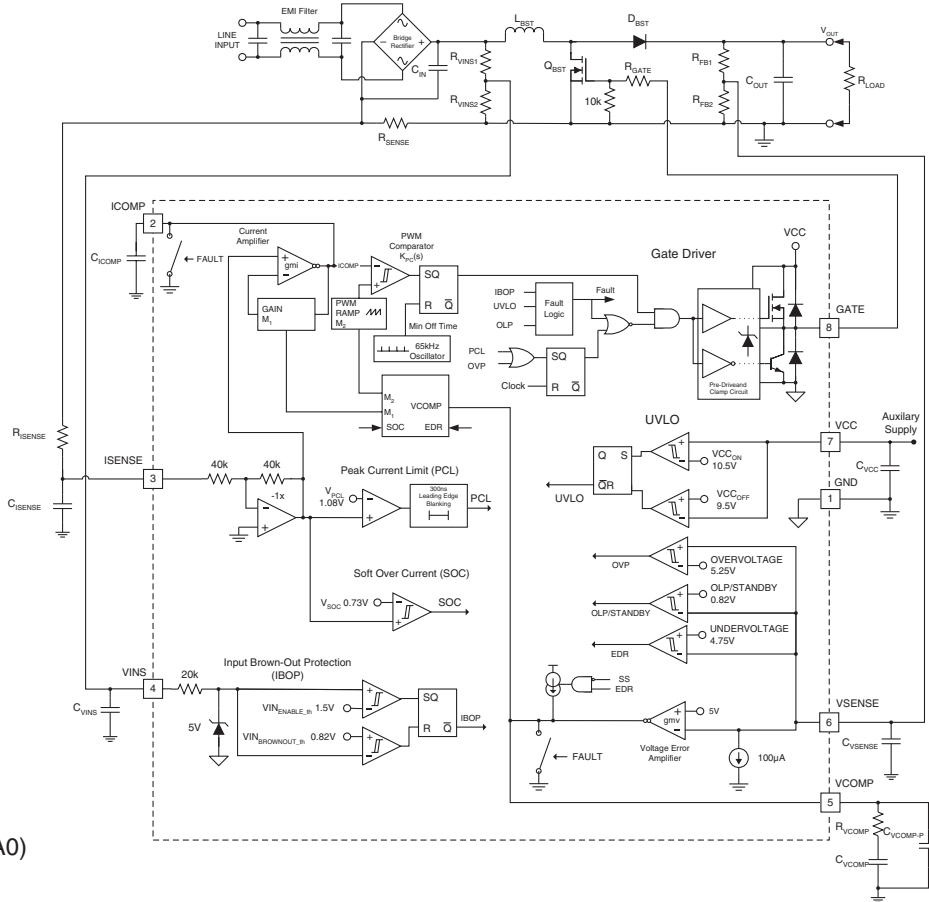
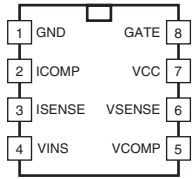
• **NJM2068M-D TE1 (AAX6275)**

Operational Amplifier  
REAR: IC11, 31, 51, 71  
FRONT: IC101, 102, 202, 301, 302, 402,  
IC501, 502, 602, 701, 702, 802  
MOTHER A-D: IC1101, 1301  
MOTHER E-H: IC1501, 1701



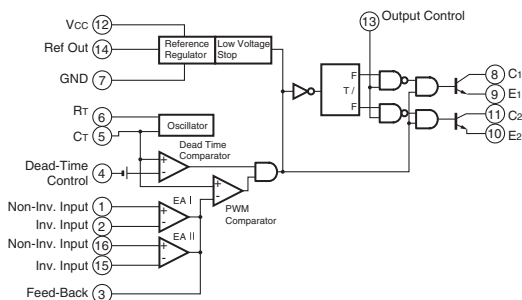
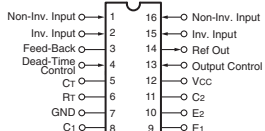
• **UCC28019DR (YA885A0)**

PFC Controller  
POWER: IC901



• **UPC494GS-T2-A T (X8569A0)**

SWR Controller  
POWER: IC902



## ■ CIRCUIT BOARDS (シート基板図)

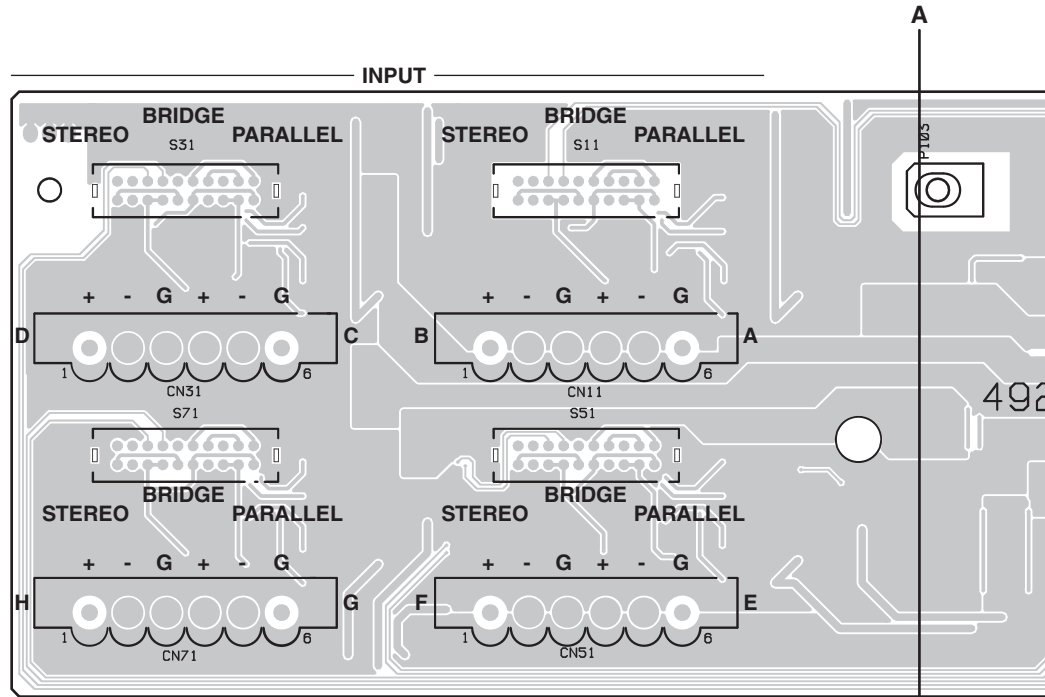
### CONTENTS (目次)

• AMP Circuit Board	(4205-20) .....	42
• CONNECTOR Circuit Board	(5258-20) .....	42
• FRONT Circuit Board	(1060-20) .....	26
• INPUT POWER Circuit Board	(9077-20) .....	36
• LED Circuit Board	(5258-20) .....	42
• MOTHER A–D Circuit Board	(5258-20) .....	28
• MOTHER E–H Circuit Board	(7483-20) .....	32
• POWER Circuit Board	(8152-20) .....	40
• REAR Circuit Board	(2029-20) .....	24

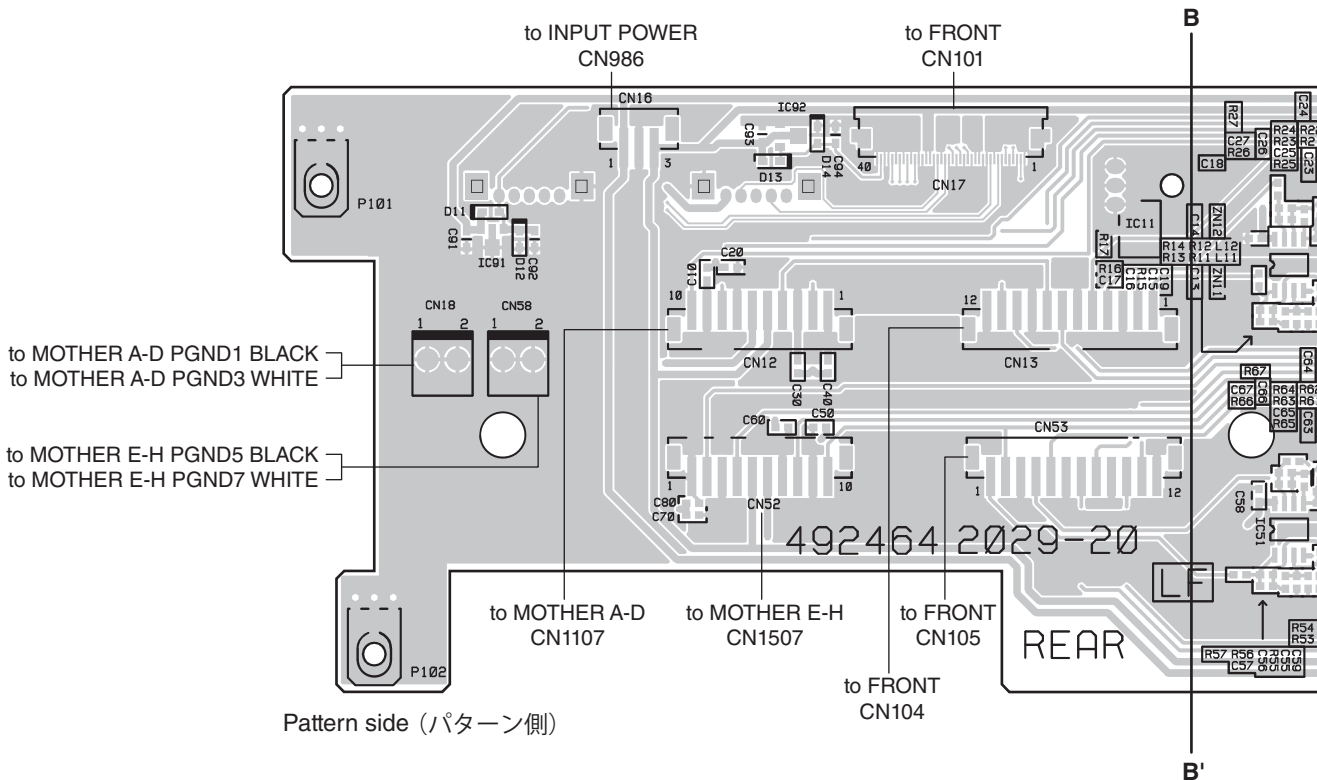
**Note: See parts list for details of circuit board component parts.**

注： シートの部品詳細はパーツリストをご参照ください。

• REAR Circuit Board



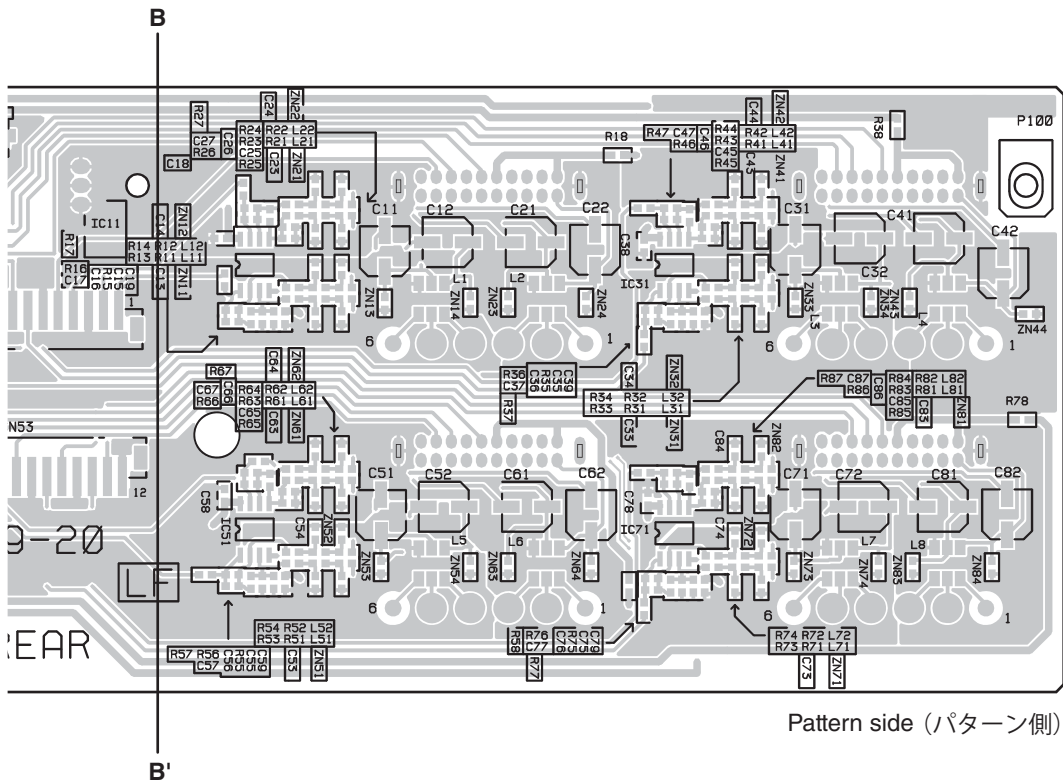
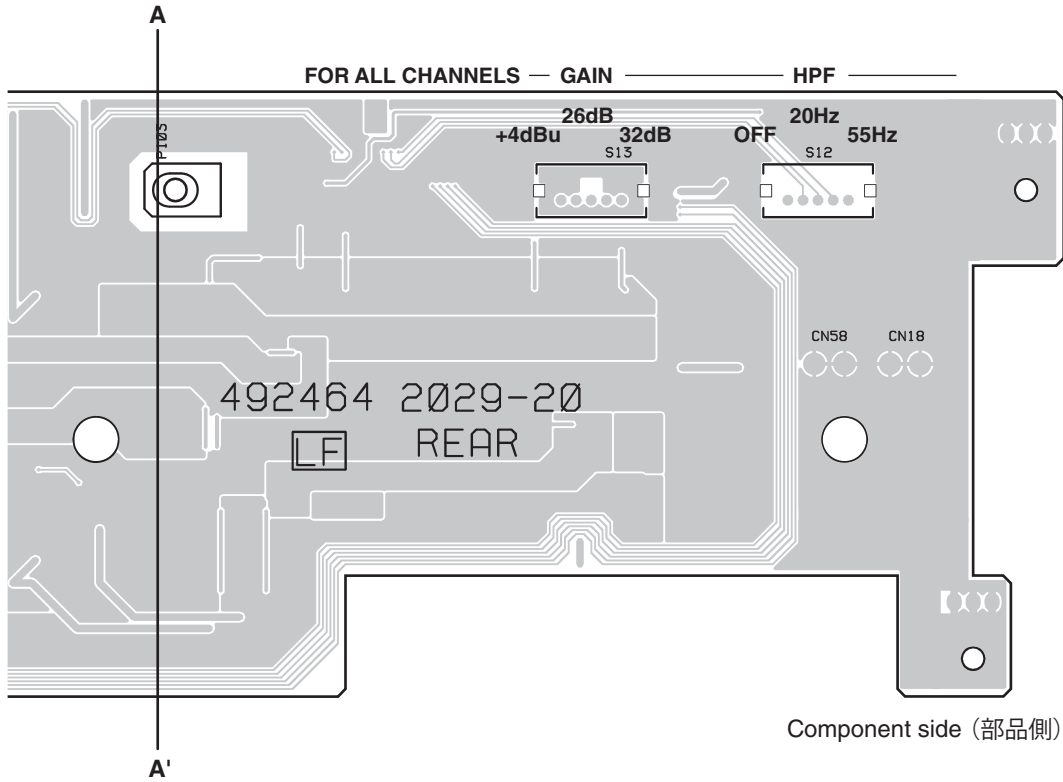
Component side (部品側)



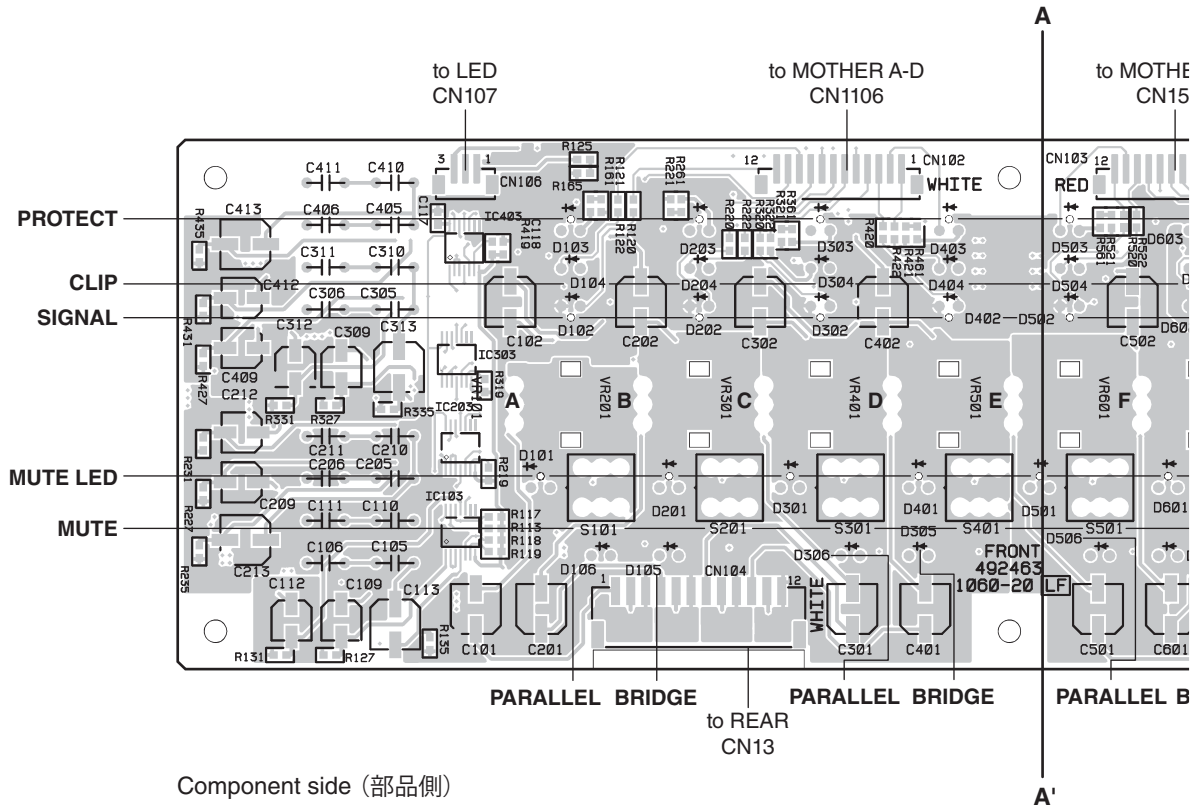
Pattern side (パターン側)



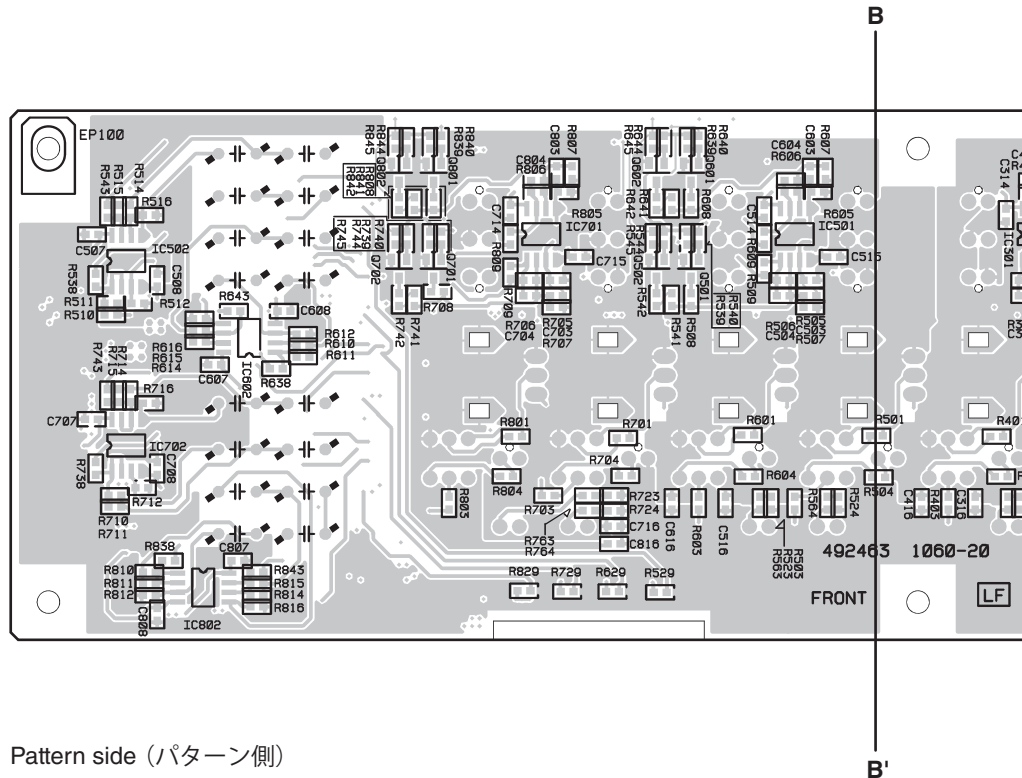
• REAR Circuit Board



• FRONT Circuit Board

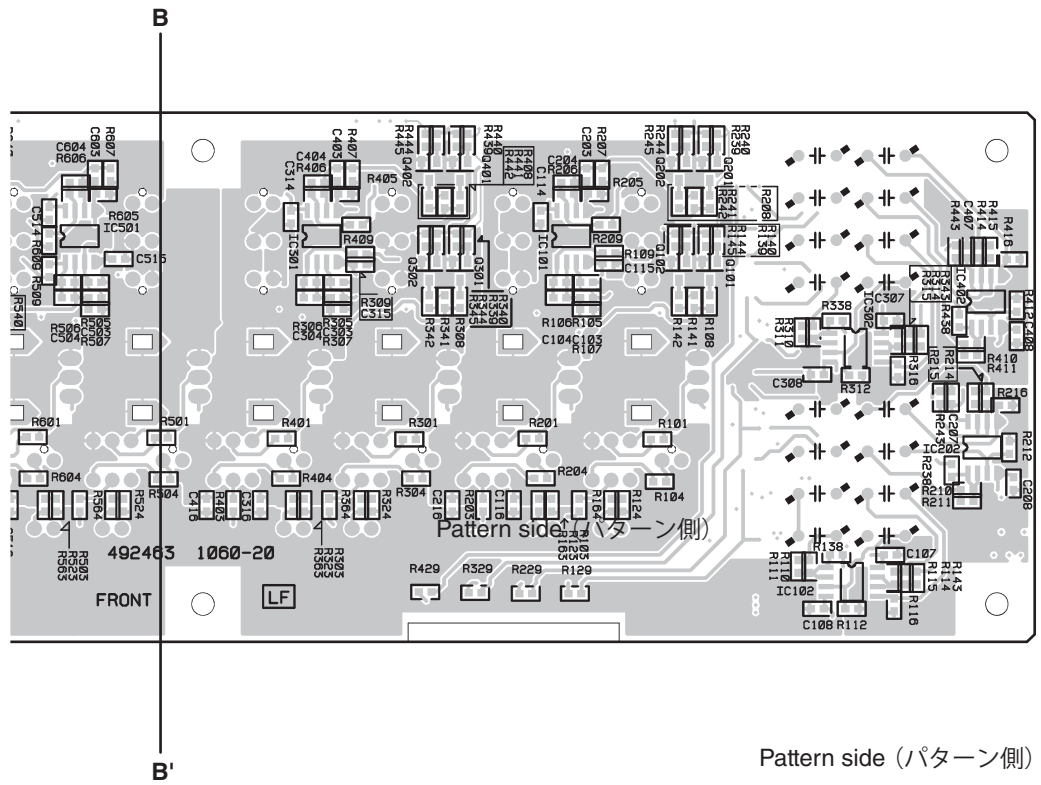
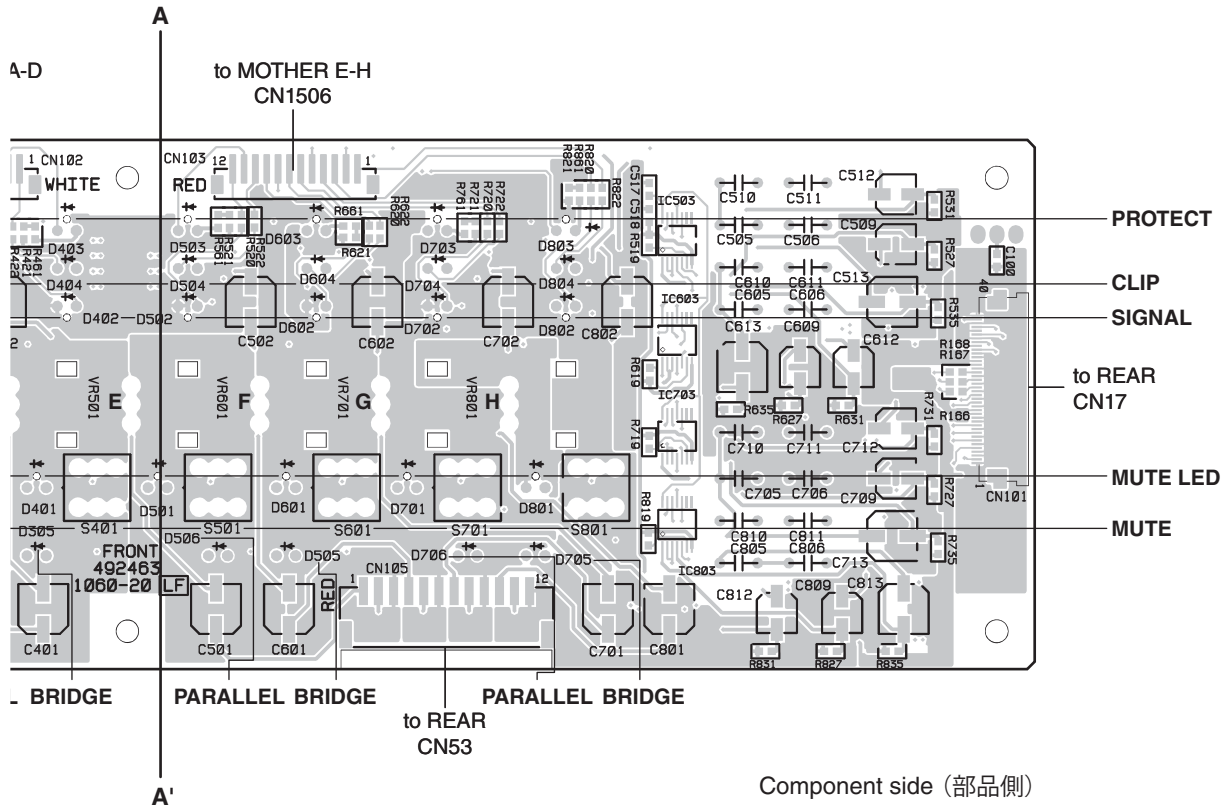


Component side (部品側)

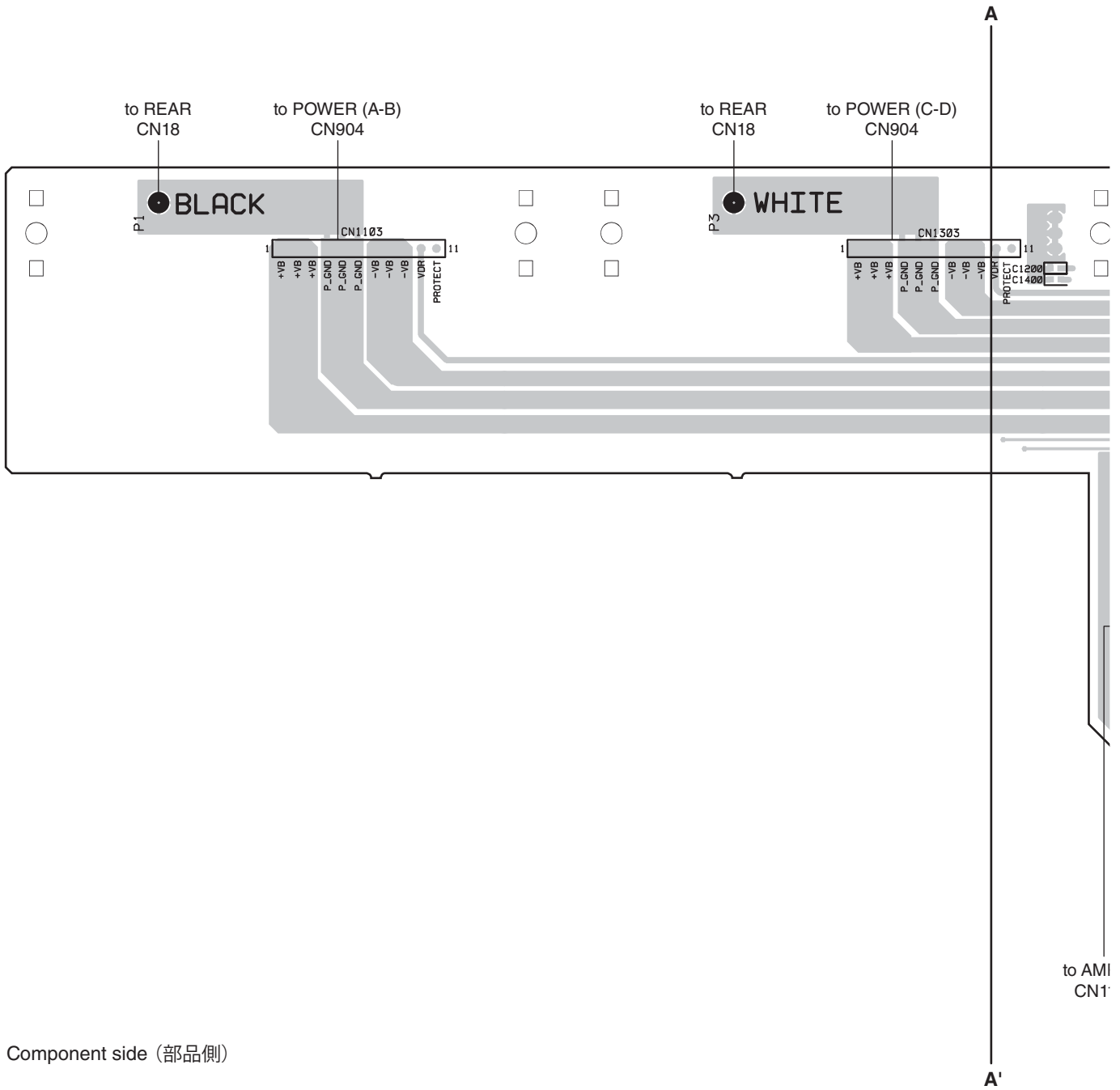


Pattern side (パターン側)

• FRONT Circuit Board

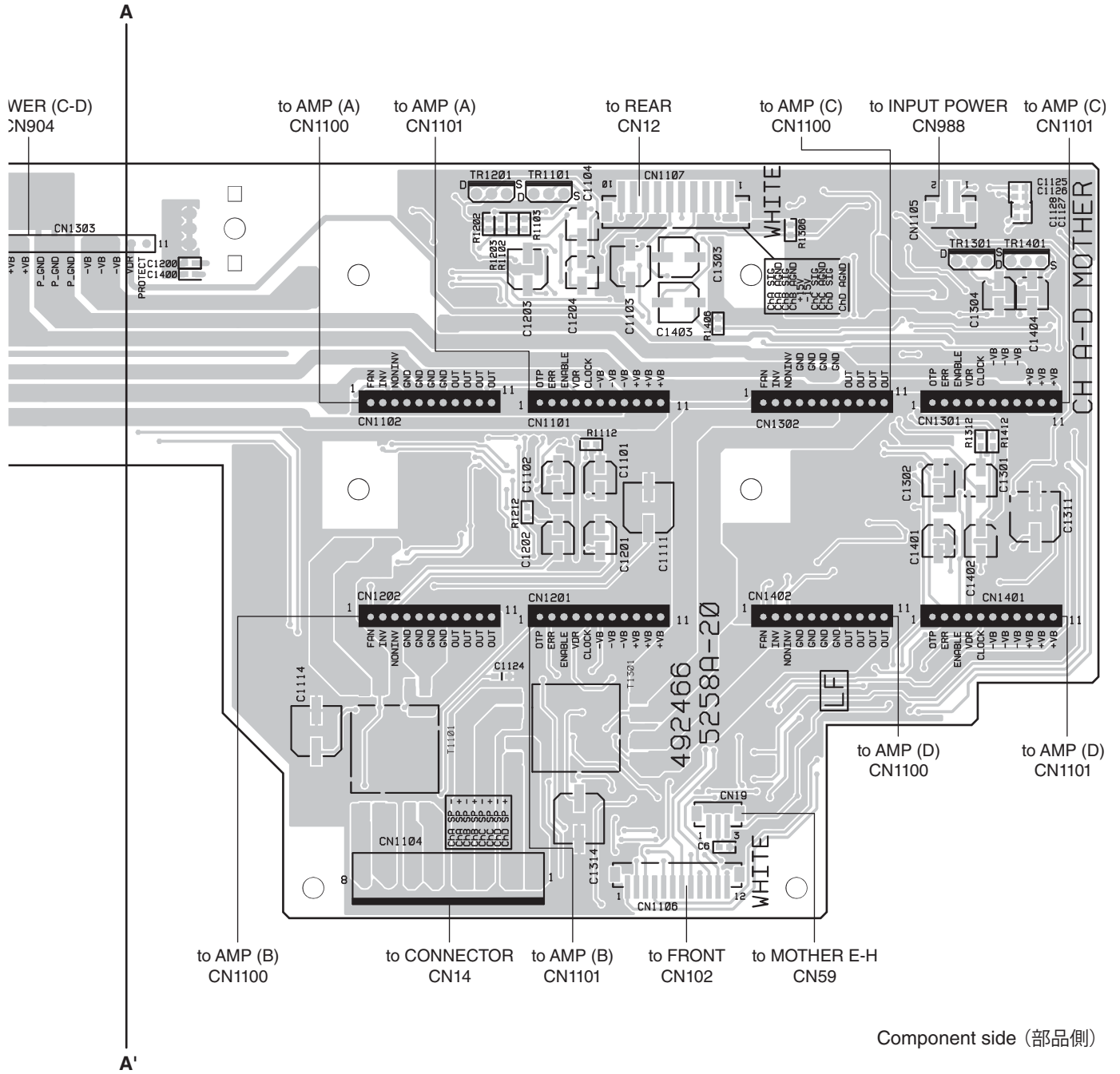


• MOTHER A-D Circuit Board



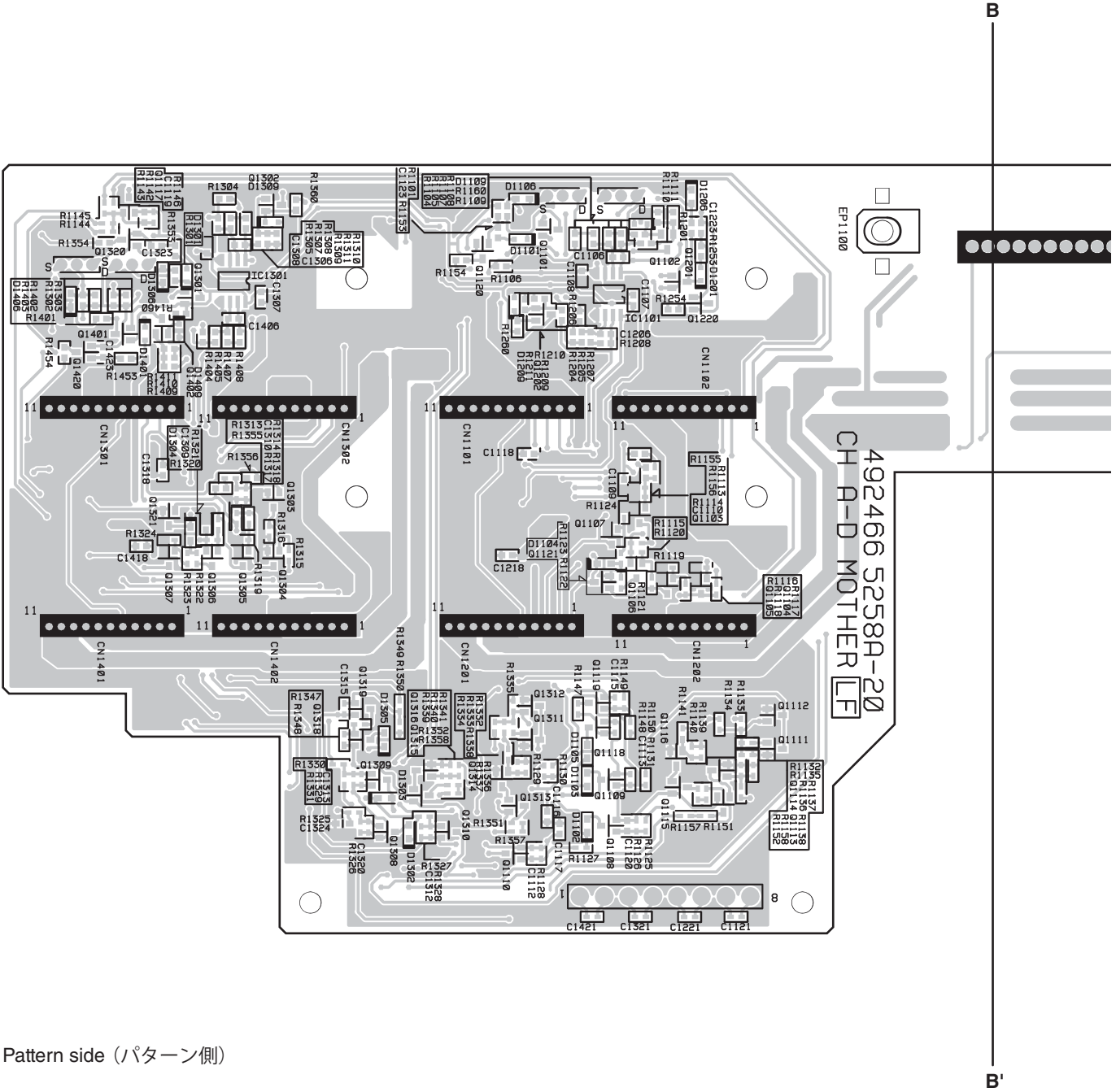
Component side (部品側)

• MOTHER A-D Circuit Board



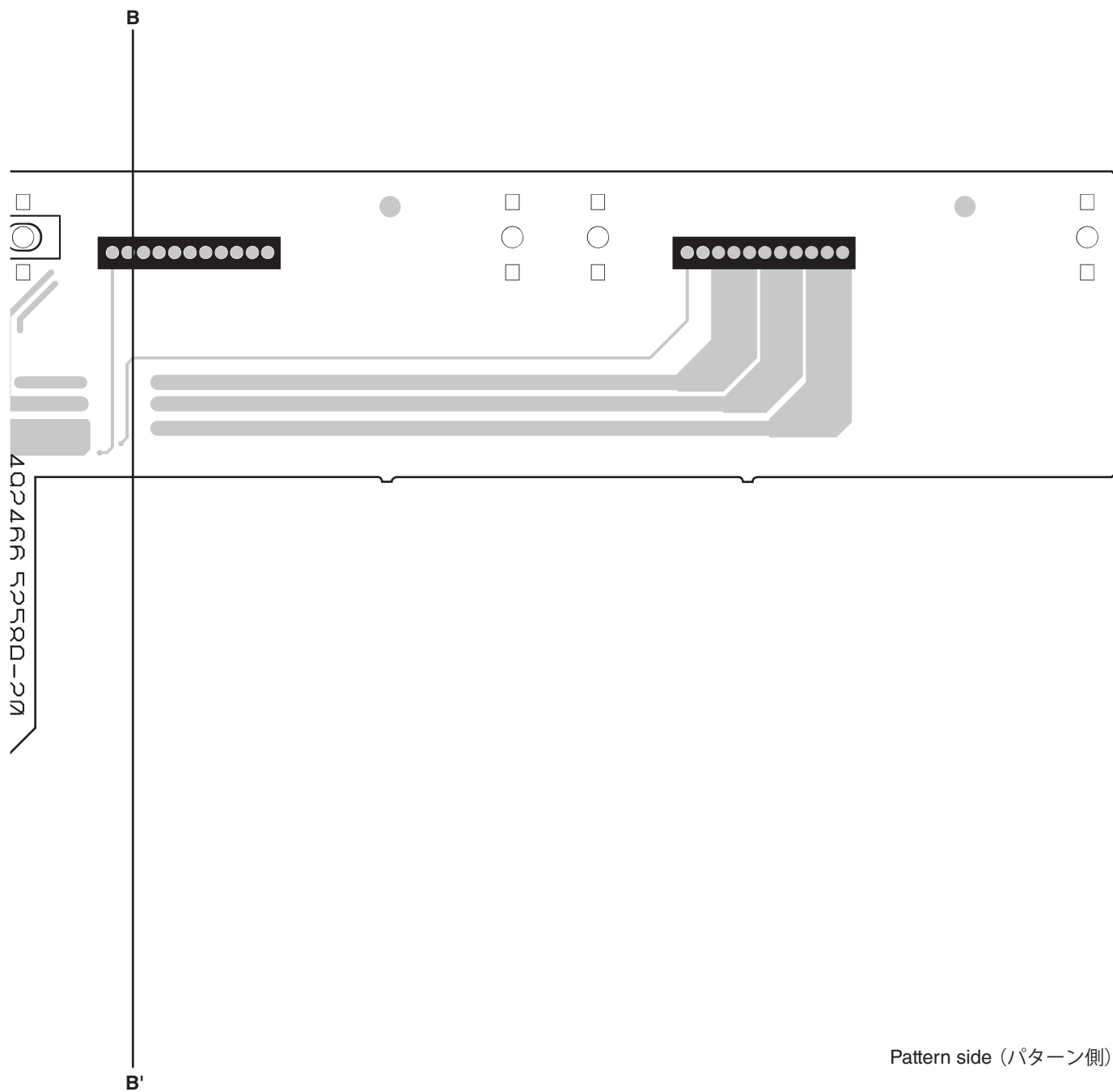
Component side (部品側)

• MOTHER A-D Circuit Board

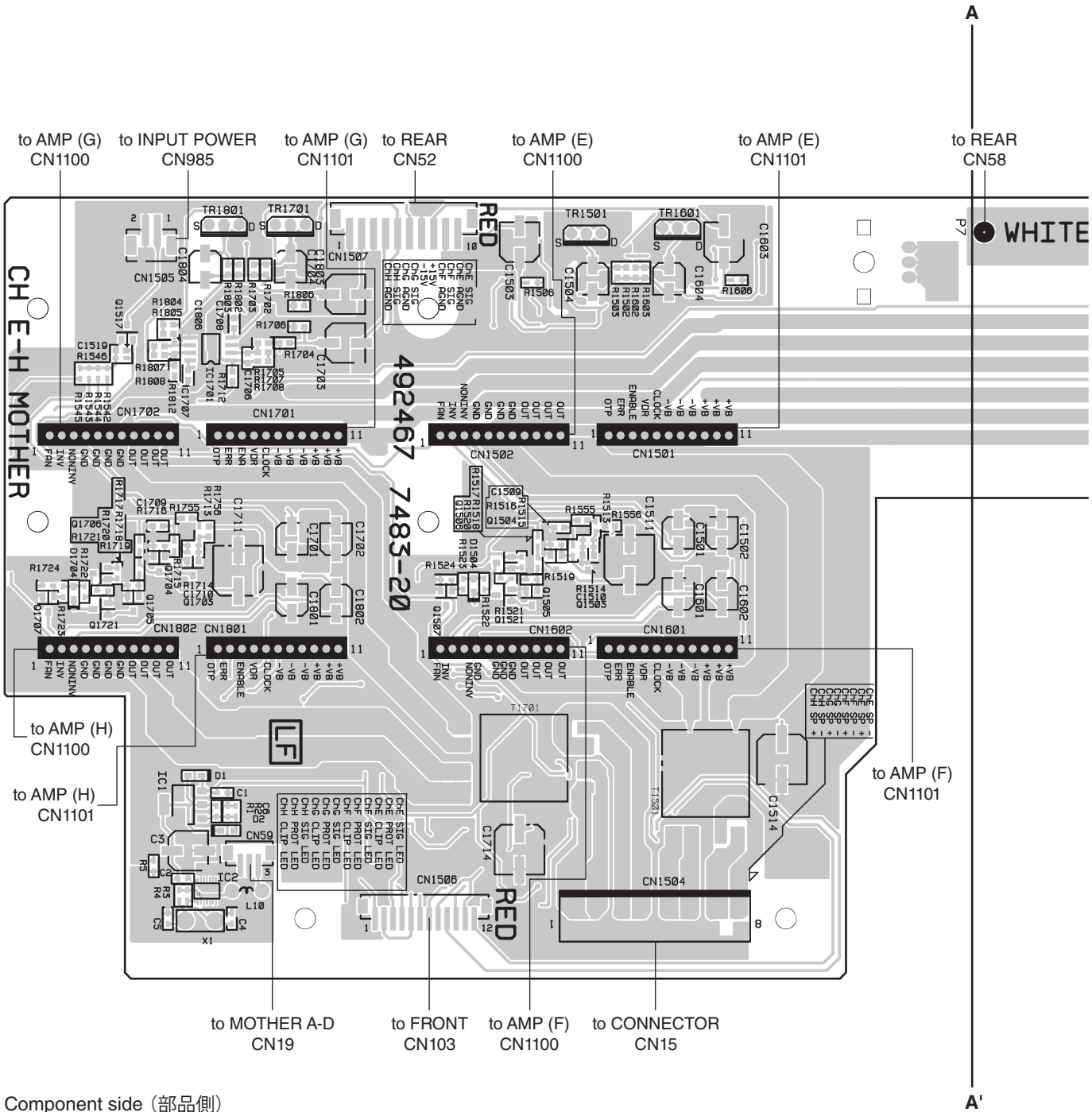


Pattern side (パターン側)

• MOTHER A-D Circuit Board



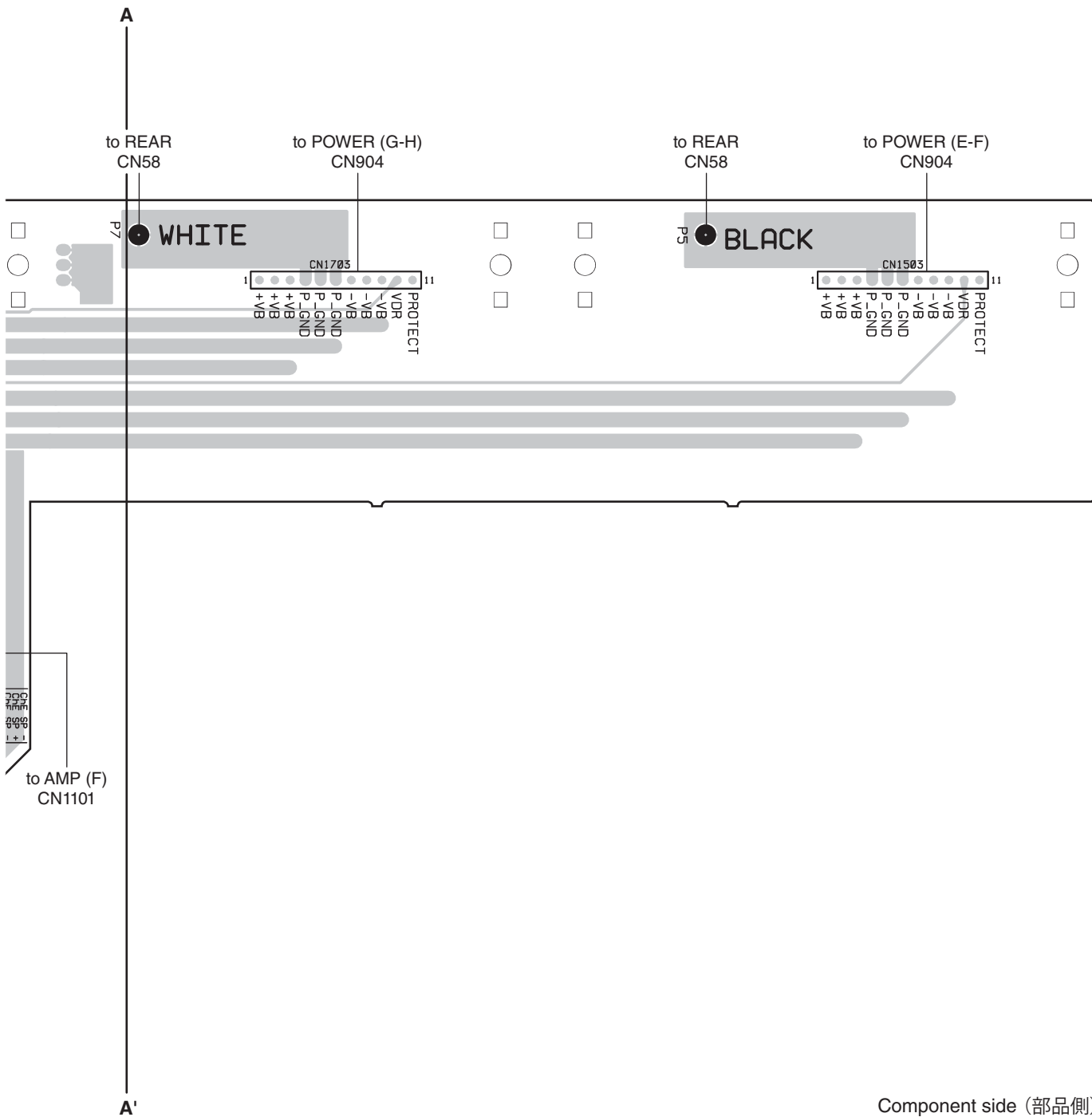
• MOTHER E-H Circuit Board



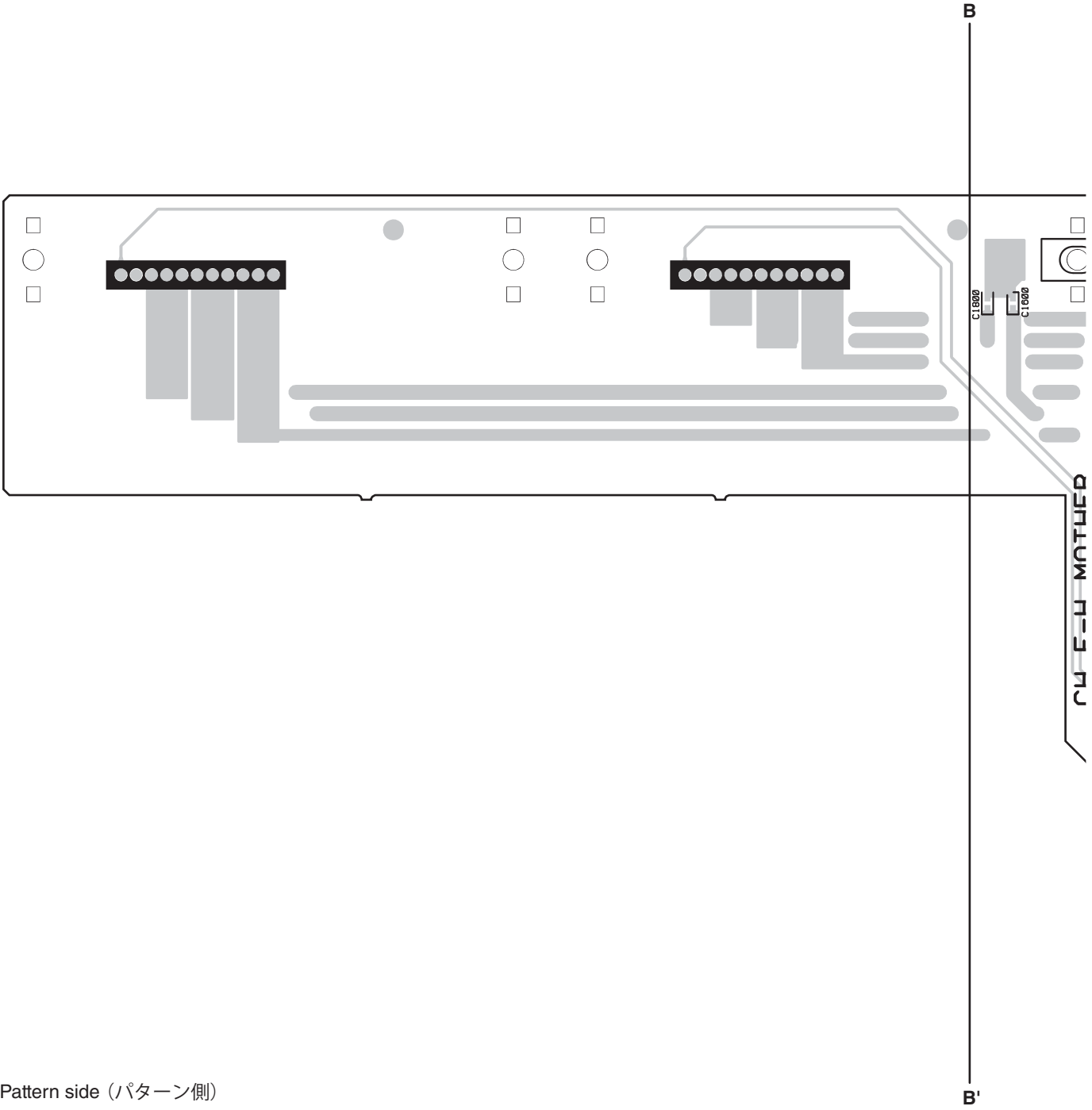
Component side (部品側)



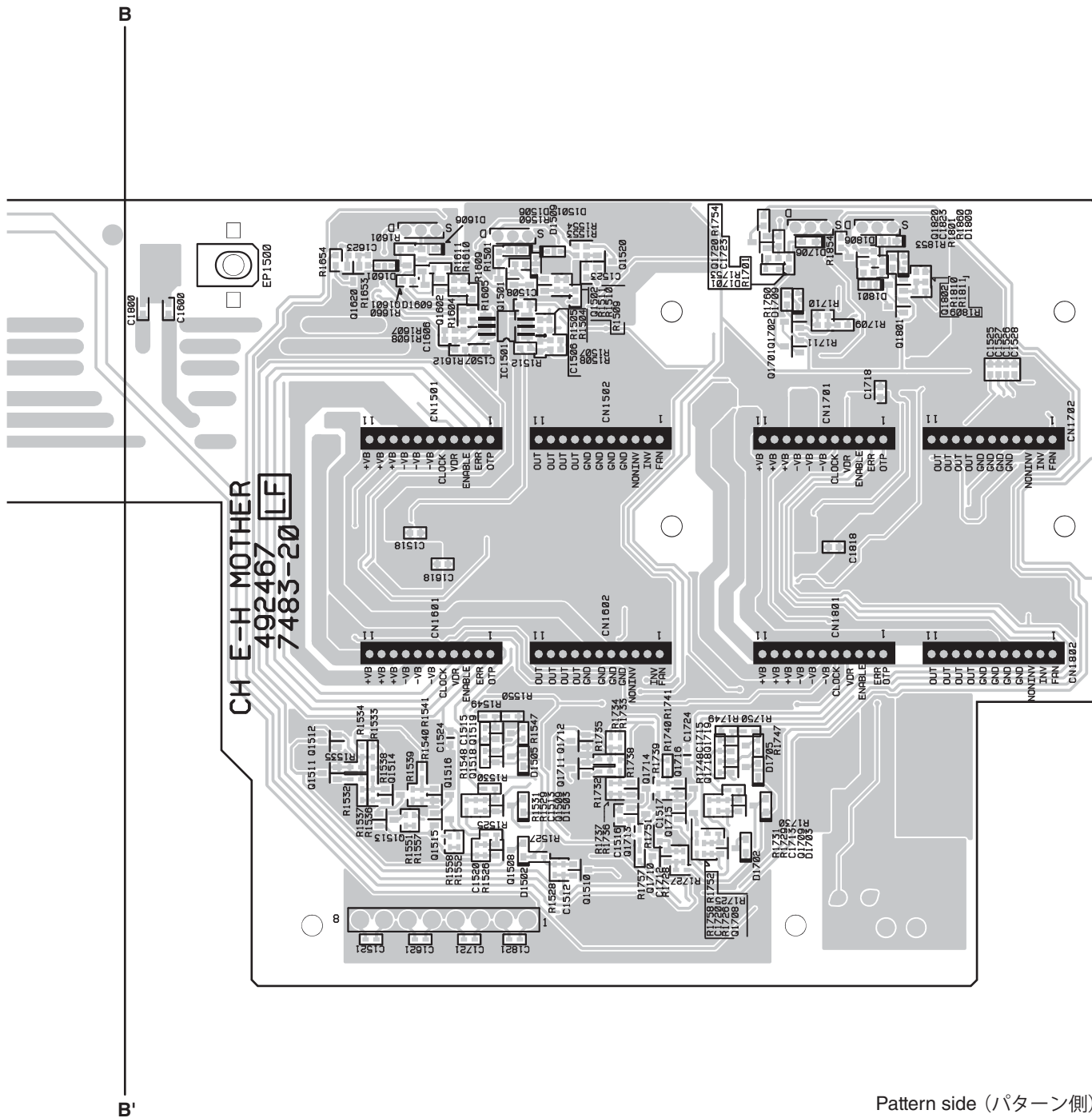
• MOTHER E-H Circuit Board



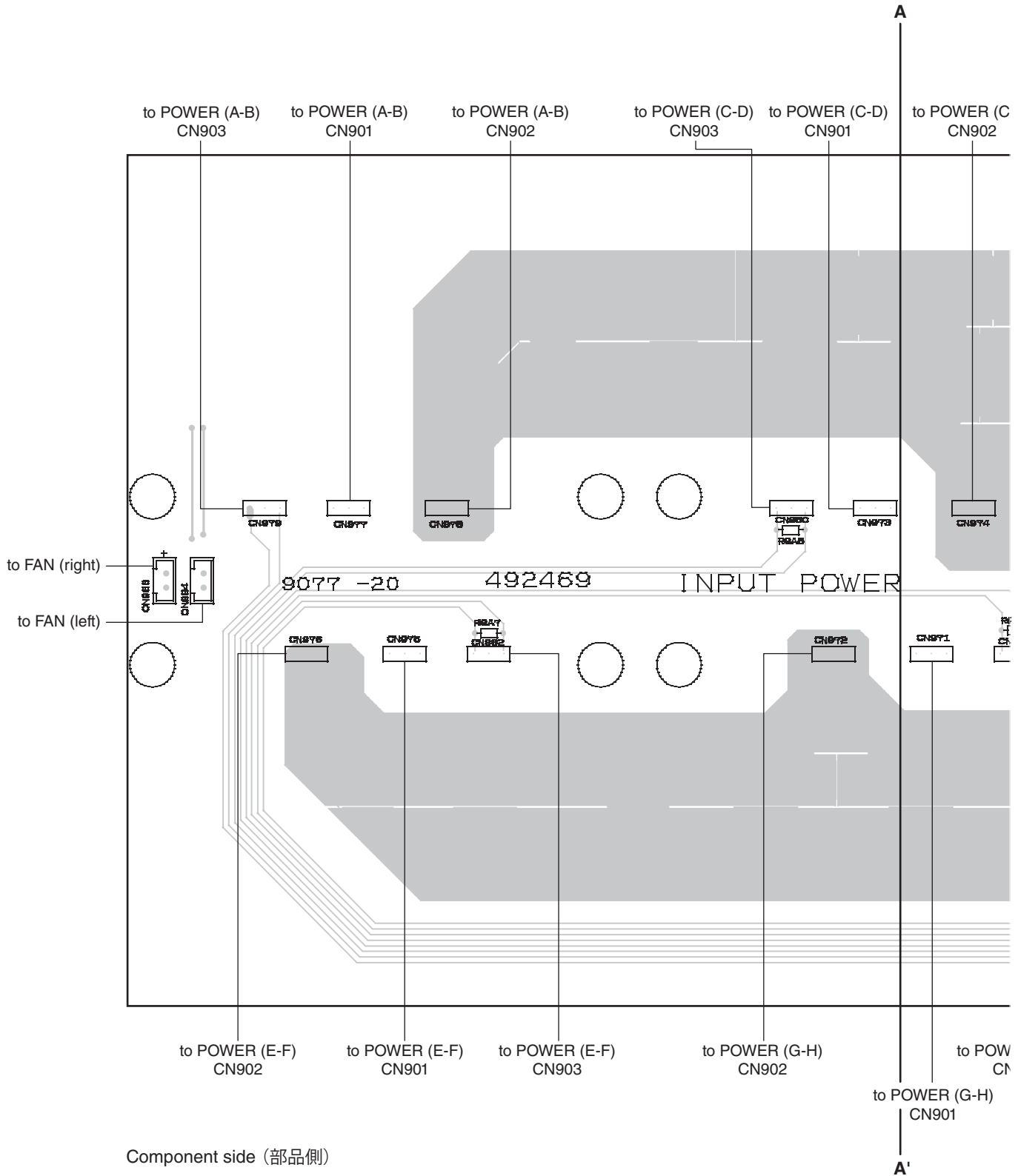
- MOTHER E-H Circuit Board



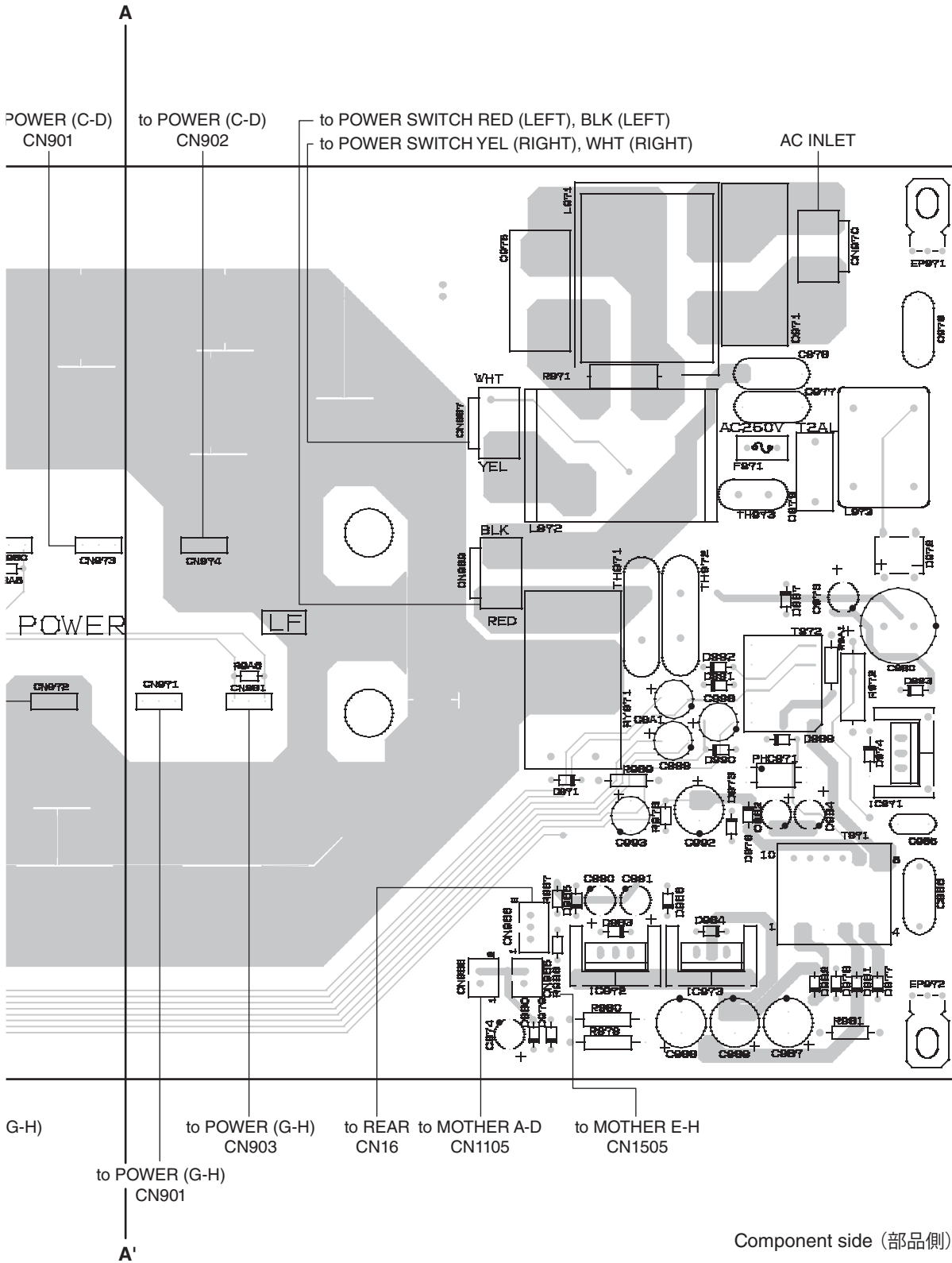
• MOTHER E-H Circuit Board



• INPUT POWER Circuit Board

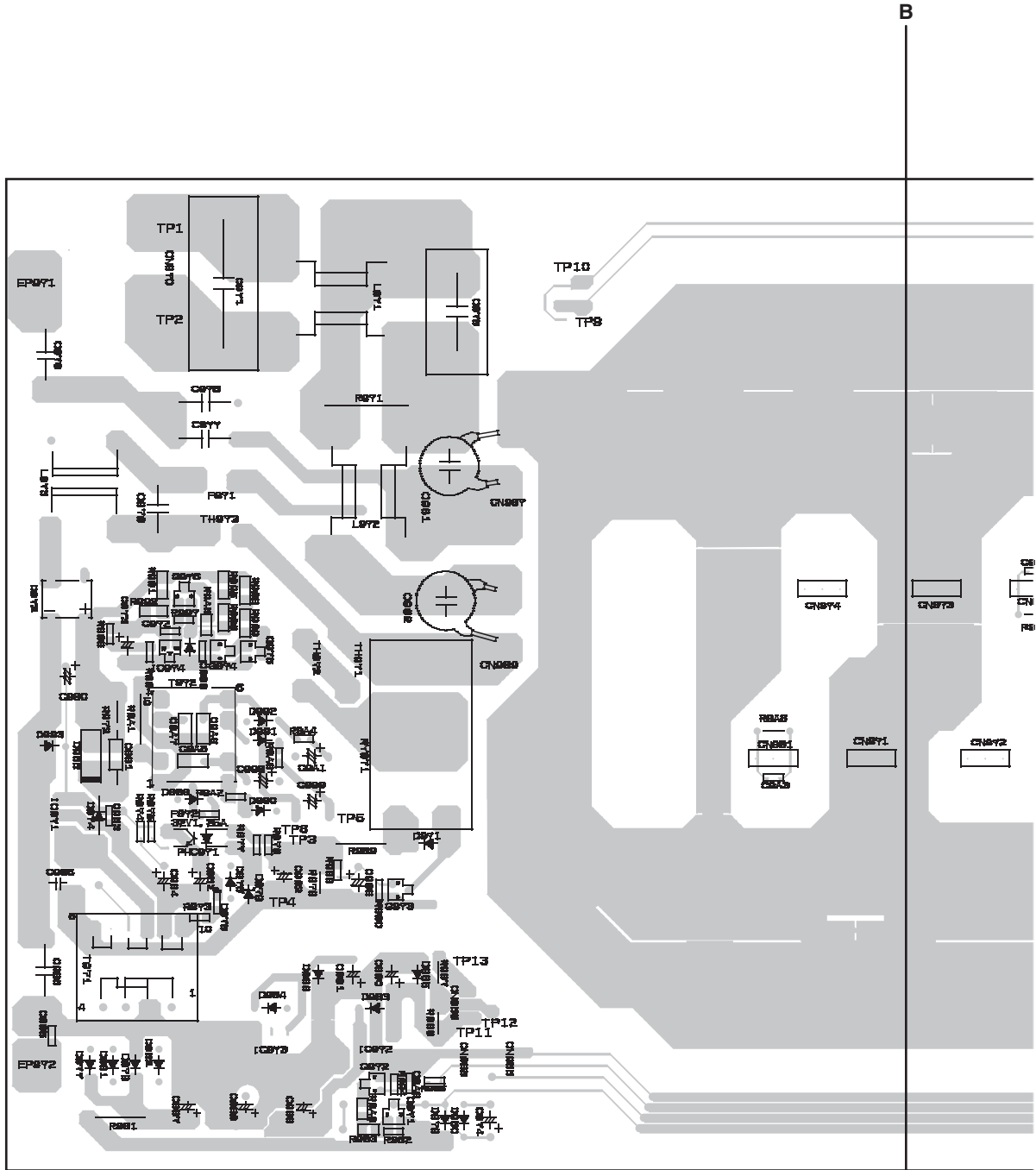


• INPUT POWER Circuit Board



Component side (部品側)

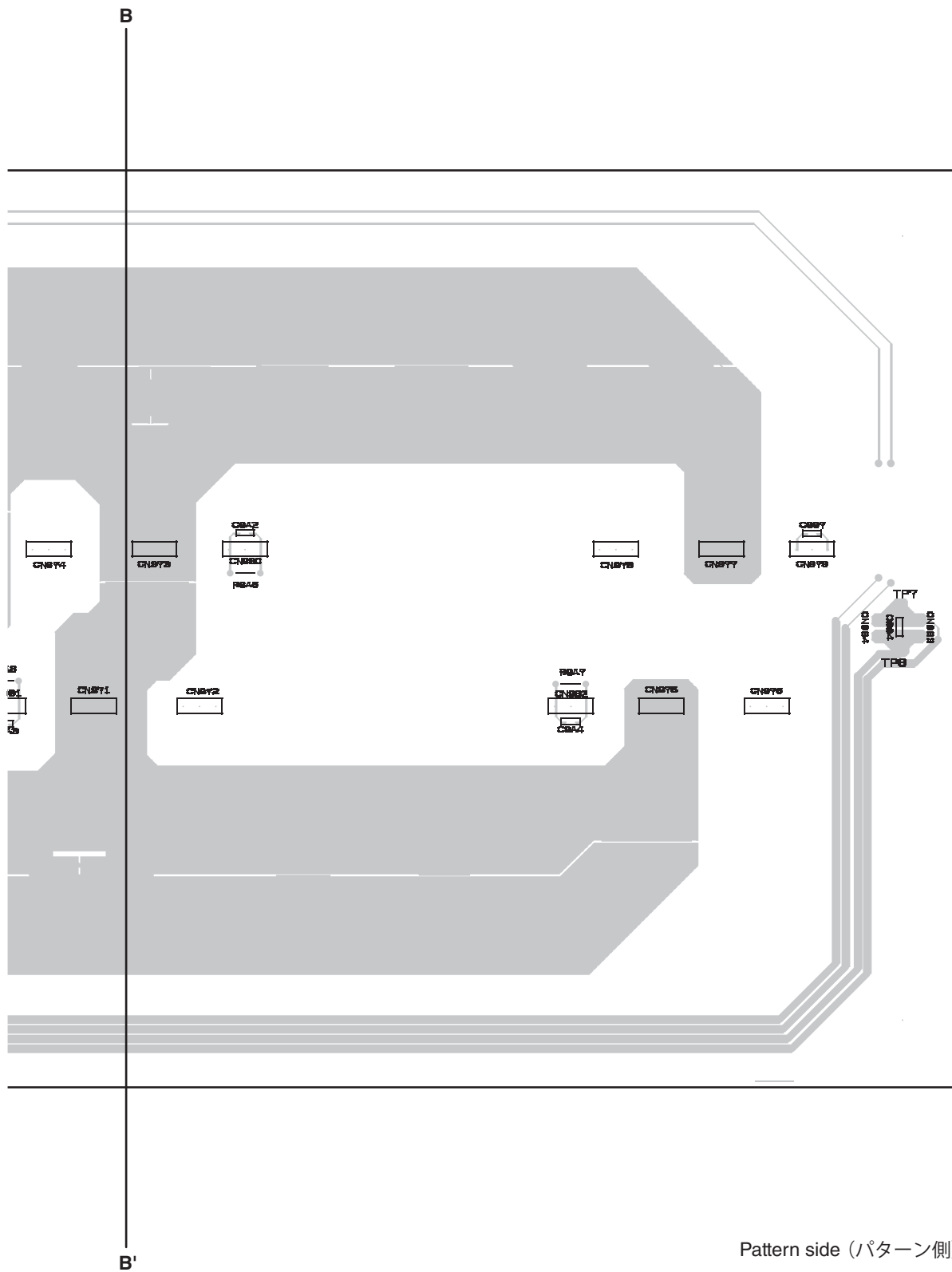
• INPUT POWER Circuit Board



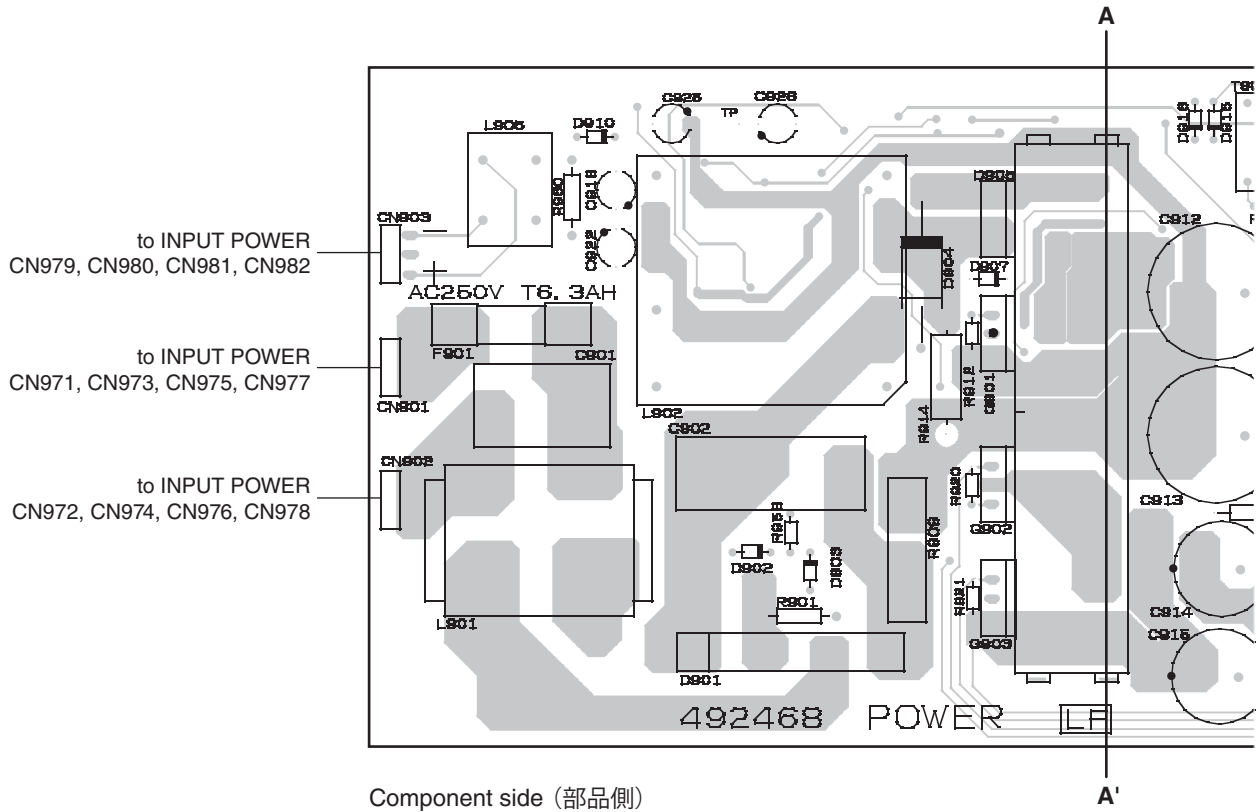
Pattern side (パターン側)

B'

• INPUT POWER Circuit Board

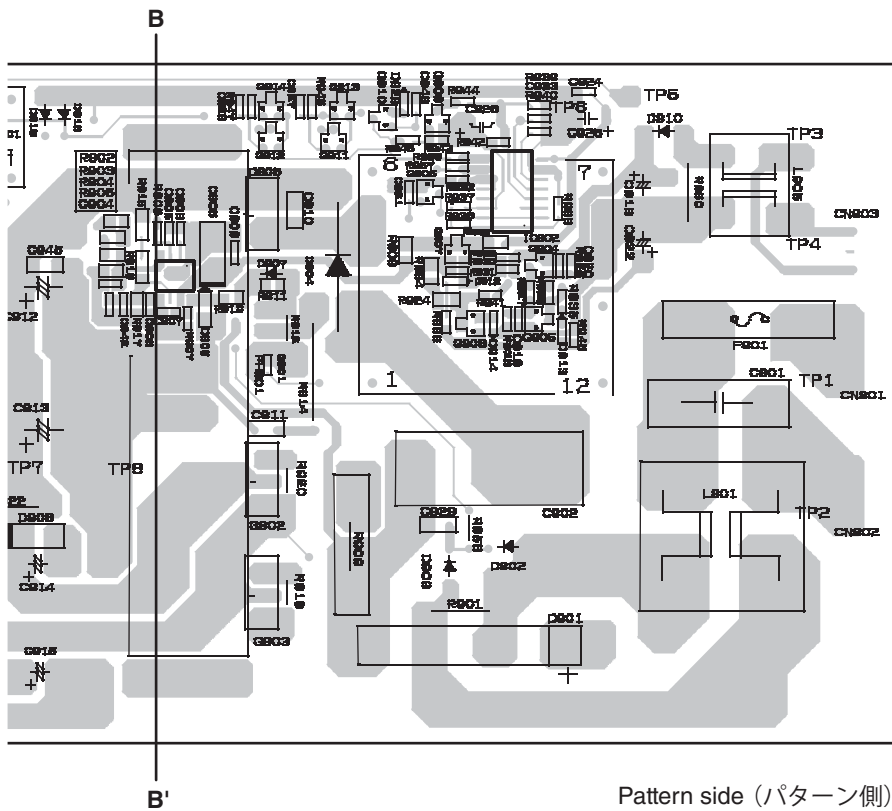
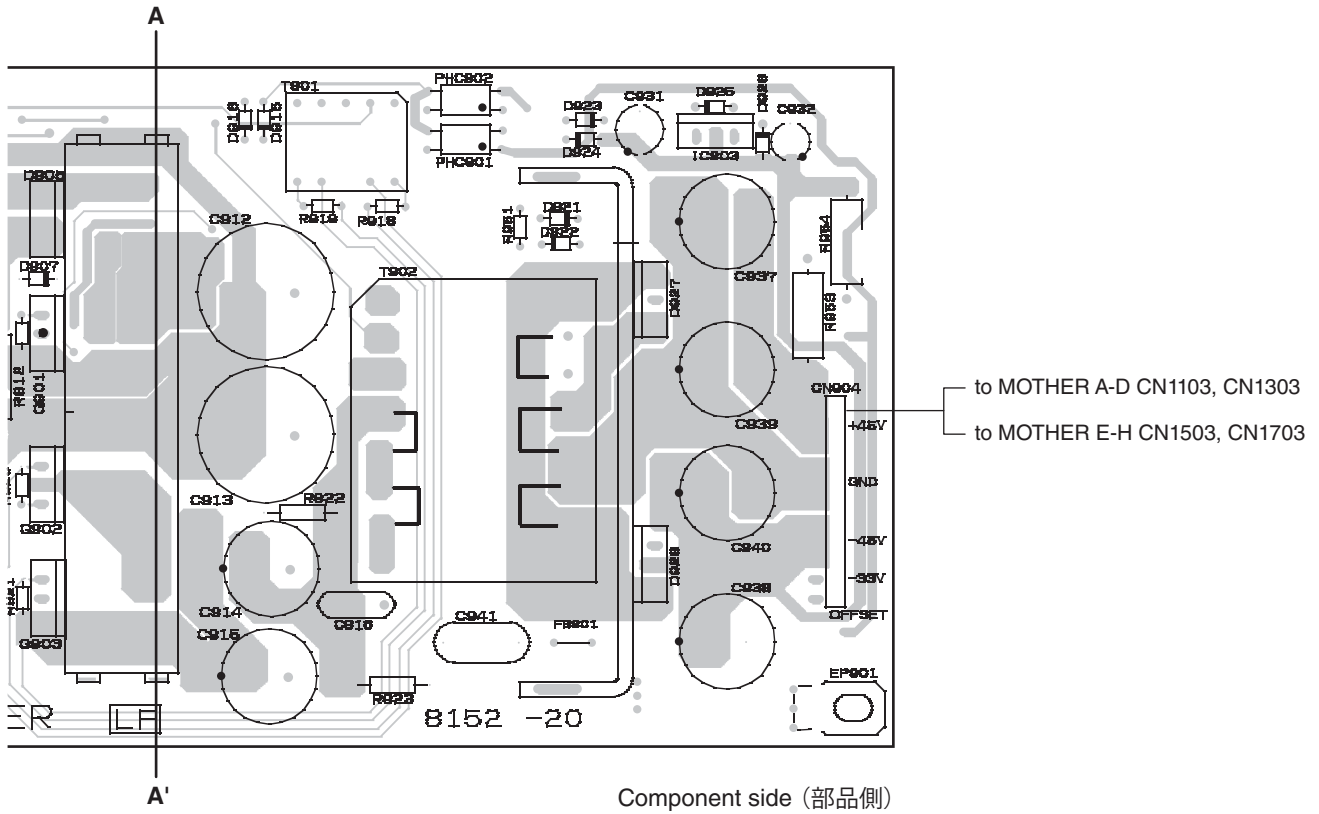


• POWER Circuit Board

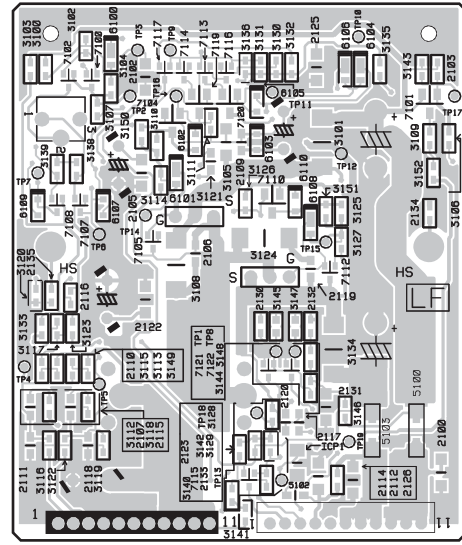
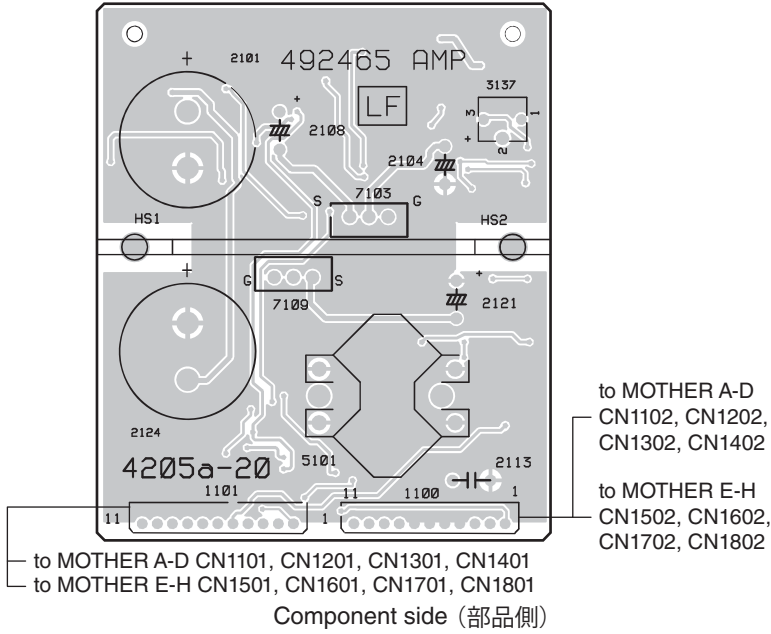




• POWER Circuit Board



• AMP Circuit Board

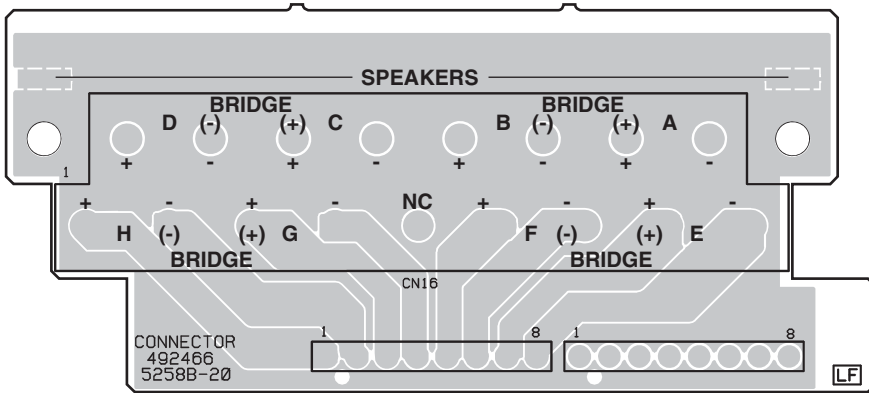


Pattern side (パターン側)

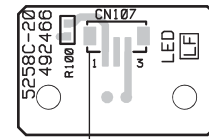
492465

• CONNECTOR Circuit Board

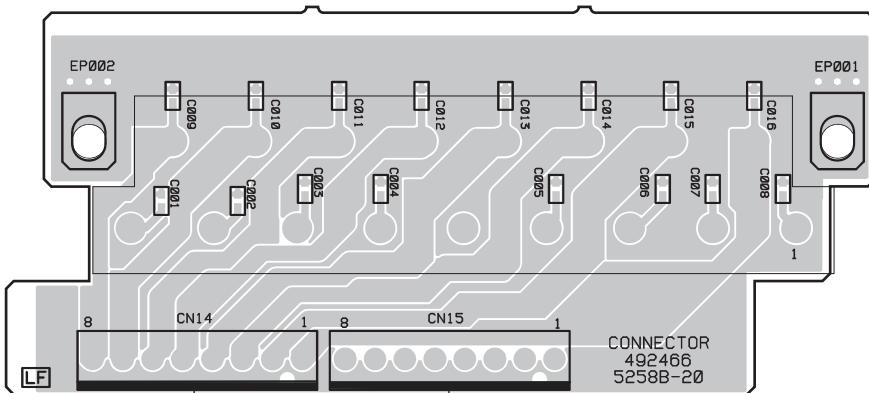
• LED Circuit Board



Component side (部品側)



Component side (部品側)

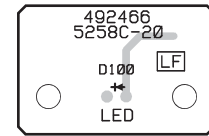


Pattern side (パターン側)

to MOTHER A-D  
CN1104

to MOTHER E-H  
CN1504

492466



Pattern side (パターン側)

492466

# INSPECTIONS

## 1. Test Conditions

Measuring Voltage	: AC 100V 50/60 Hz (J)	INPUT	: 1 kHz
	: AC 120V 60 Hz (U)	Attenuator	: All channel maximum
	: AC 230V 50 Hz (B, E)	MUTE switch	: All channel OFF
	: AC 220V 50 Hz (O)	GAIN switch	: "26 dBu"
	: AC 220V 60 Hz (K)	HPF switch	: "OFF"
Normal temperature	: From 10 °C to 35 °C	MODE switch	: "STEREO"
Normal humidity	: From 45 % to 85 %	FILTER	: DIN – Audio
Load	: 4 Ω		

## 2. Electrical Characteristic

No.	Item	Input Conditions	Output Conditions	Nominal	Limit		
1	Output Power	All channel input	1% T.H.D. Output	4 Ω	210 W	> 200 W	
				8 Ω	120 W	> 100 W	
		All channel input MODE switch "BRIDGE"		8 Ω B.T.L.	420 W	> 400 W	
2	Signal to Noise Ratio	Input short GAIN switch "32 dBu"	Ref: 1 kHz, 1 % T.H.D. Output Load: 4 Ω Measure with A weighted		101 dB	> 100 dB	
3	T.H.D	All channel input	1 kHz Half power	4 Ω 8 Ω	0.1 % 0.1 %	< 0.5 % < 0.5 %	
4	Frequency Response		Ref: 1 kHz, 1 W Output Load: 8 Ω No Filter		-1 dB	> -1.5 dB < 0 dB	
		20 Hz 20 kHz			-1 dB	> -1.5 dB < 0 dB	
5	Crosstalk	Input: A, B, C, D, E, F, G, H to adjacent channel Measured channel, Input impedance = 600 Ω GAIN switch "32 dBu"	Ref: 1 kHz Half power output Load 8 Ω		70 dB	> 60 dB	
6	Residual Noise	Attenuator: Minimum Input impedance = 150 Ω GAIN switch "32 dBu"	Load: 8 Ω Measure with A weighted		-72 dBu	< -70 dBu	
7	GAIN Switch	Input: 1 kHz, -10 dBu	Ref: Switch "26 dBu" Load: 8 Ω	Switch "26 dB" Switch "+4 dBu" Switch "32 dB"	16 dBu 1.2 dB 6.0 dB	16 ±2 dBu 1.2 ±2 dB 6.0 ±2 dB	
8	HPF Switch	Ref: Switch "OFF"	20 Hz 55 Hz	Ref: Switch "OFF" 1 W Output Load 8 Ω	Switch "20 Hz"	-3.2 dBu	-3.2 ±2 dB
					Switch "55 Hz"	-3.2 dBu	-3.2 ± 2 dB
9	Idle Output Power Consumption	No input	Load: 4 Ω		67 W	70 W ± 10 %	
10	1/8 Output Power Consumption	Input all channel 1 kHz, sine wave	Ref: 25 W output Load: 4 Ω		360 W	< 400 W	

(NOTE) 0 dBu = 0.775 Vrms

**3. Over Load Protection**

Perform the following test on each channel.

Input the 1 kHz, sine wave to INPUT connectors, and adjust the input signal level so that the output level is +22.2 dBu (= 25 W, 4  $\Omega$ ).

Short-circuit between “+” and “-” of SPEAKERS connectors and confirm that output stops and the PROTECT indicator lights red.

**4. SIGNAL Indicator**

Perform the following test on each channel with 8  $\Omega$  loaded.

Input the 1 kHz, sine wave to INPUT connectors, and adjust the input signal level so that the output level is +8.3 dBu.

Confirm that the SIGNAL indicator lights green.

**5. CLIP Indicator**

Perform the following test on each channel with 8  $\Omega$  loaded.

Input the 1 kHz, +7 dBu sine wave to INPUT connectors.

Confirm that the CLIP indicator lights red and the SIGNAL indicator lights green.

## ■ 検査

### 1. 試験条件

測定電圧	: AC 100V 50/60 Hz (J)	MUTE スイッチ	: 全チャンネル OFF
常温	: 10 °C ~ 35 °C	GAIN スイッチ	: “26 dBu”
恒湿	: 45 % ~ 85 %	HPF スイッチ	: “OFF”
負荷	: 4 Ω	MODE スイッチ	: “STEREO”
入力	: 1 kHz	フィルター	: DIN – Audio
アッテネーター	: 全チャンネル 最大		

### 2. 電気特性

No.	項目	入力条件	出力条件	標準値	限界値	
1	定格出力	全チャンネル入力	1 % 歪率 出力	4 Ω	210 W	> 200 W
		全チャンネル入力		8 Ω	120 W	> 100 W
		MODE スイッチ “BRIDGE”		8 Ω B.T.L.	420 W	> 400 W
2	信号対雑音比	入力ショート GAIN スイッチ “32 dBu”	基準 : 1 kHz、1 % 歪率 出力 負荷 : 4 Ω A ネットワークで測定	101 dB	> 100 dB	
3	歪率	全チャンネル入力	1 kHz 1/2 定格出力	4 Ω	0.1 %	< 0.5 %
				8 Ω	0.1 %	< 0.5 %
4	周波数特性		20 Hz	基準 : 1 kHz、1 W 出力 負荷 : 8 Ω	-1 dB	> -1.5 dB < 0 dB
			20 kHz	フィルター使用せず	-1 dB	> -1.5 dB < 0 dB
5	クロストーク	入力 : A、B、C、D、E、F、G、H から隣接チャンネルへ (測定チャンネル入力端子を 600 Ω で短絡) GAIN スイッチ “32 dBu”	基準 : 1 kHz 1/2 定格出力 負荷 : 8 Ω	70 dB	> 60 dB	
6	残留雑音	アッテネーター : 最小 入力インピーダンス = 150 Ω GAIN スイッチ “32 dBu”	負荷 : 8 Ω A ネットワークで測定	-72 dBu	< -70 dBu	
7	GAIN スイッチ	入力 : 1 kHz、-10 dBu	基準 : スイッチ “26 dBu” 負荷 : 8 Ω	スイッチ “26 dB”	16 dBu	16 ± 2 dBu
				スイッチ “+4 dBu”	1.2 dB	1.2 ± 2 dB
				スイッチ “32 dB”	6.0 dB	6.0 ± 2 dB
8	HPF スイッチ	基準 : スイッチ “OFF”	20 Hz 基準 : スイッチ “OFF” 1 W 出力 負荷 : 8 Ω	スイッチ “20 Hz”	-3.2 dBu	-3.2 ± 2 dB
				55 Hz	スイッチ “55 Hz”	-3.2 dBu
9	無信号時の消費電力	入力なし	負荷 : 4 Ω	67 W	70 W ± 10 %	
10	1/8 定格出力時の消費電力	全チャンネル入力 1 kHz、正弦波	基準 : 25 W 出力 負荷 : 4 Ω	360 W	< 400 W	

(注) 0 dBu = 0.775 Vrms

### 3. 過負荷保護回路動作

次の検査を、各チャンネル毎に行います。

INPUT 端子に 1 kHz 正弦波を入力し、出力レベルが +22.2 dBu (= 25 W、4 Ω) になるように入力信号レベルを調整します。SPEAKERS 端子の “+” と “-” 間を短絡したとき、出力が無くなり、PROTECT インジケータが赤色に点灯することを確認します。

### 4. SIGNAL インジケータの確認

次の検査を、8 Ω 負荷状態で各チャンネル毎に行います。

INPUT 端子に 1 kHz 正弦波を入力し、出力レベルが +8.3 dBu になるように入力信号レベルを調整したとき、SIGNAL インジケータが緑色に点灯することを確認します。

### 5. CLIP インジケータの確認

次の検査を、8 Ω 負荷状態で各チャンネル毎に行います。

INPUT 端子に 1 kHz、+7 dBu 正弦波を入力したとき、CLIP インジケータが赤色に、SIGNAL インジケータが緑色に点灯することを確認します。

## ■ ADJUSTMENT OF AMP circuit board (AMP シートの調整)

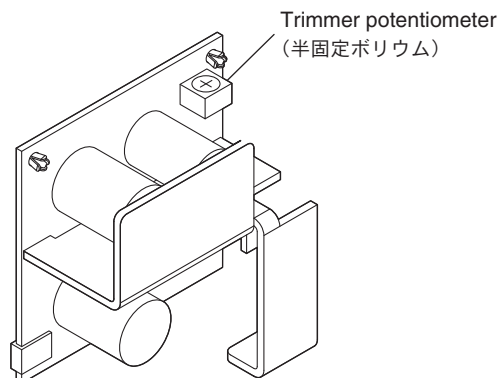
Perform the following adjustment on each channel.

1. Connect a 4 Ω load resistor to the SPEAKERS connectors.
2. After turning on the power, wait more than 60 seconds until performance is stabilized.

Then adjust the trimmer potentiometer to make the voltage across the load resistor DC ±3 mV or less.

次の調整を、各チャンネル毎に行います。

1. SPEAKER 端子に 4 Ω の負荷抵抗を接続します。
2. 電源 ON 後、60 秒以上経過して動作が安定してから、負荷抵抗の両端電圧が DC ± 3 mV 以下となるように半固定ポリウムを調整します。



# POWER AMPLIFIER

# IPA 8200

# PARTS LIST

## ■ CONTENTS (目次)

OVERALL ASSEMBLY (総組立)	1/2	.....	2
	2/2	.....	4
FRONT CIRCUIT BOARD ASSEMBLY (FRONT シート Ass'y)		.....	6
DECO PANEL ASSEMBLY (DECO パネル Ass'y)		.....	7
AC INLET ASSEMBLY (AC インレット Ass'y)		.....	7
ELECTRICAL PARTS (電気部品)		.....	8

## Notes: DESTINATION ABBREVIATIONS

A : Australian model	M : South African model
B : British model	O : Chinese model
C : Canadian model	Q : South-east Asia model
D : German model	T : Taiwan model
E : European model	U : U.S.A. model
F : French model	V : General export model (110V)
H : North European model	W : General export model (220V)
I : Indonesian model	N,X: General export model
J : Japanese model	Y : Export model

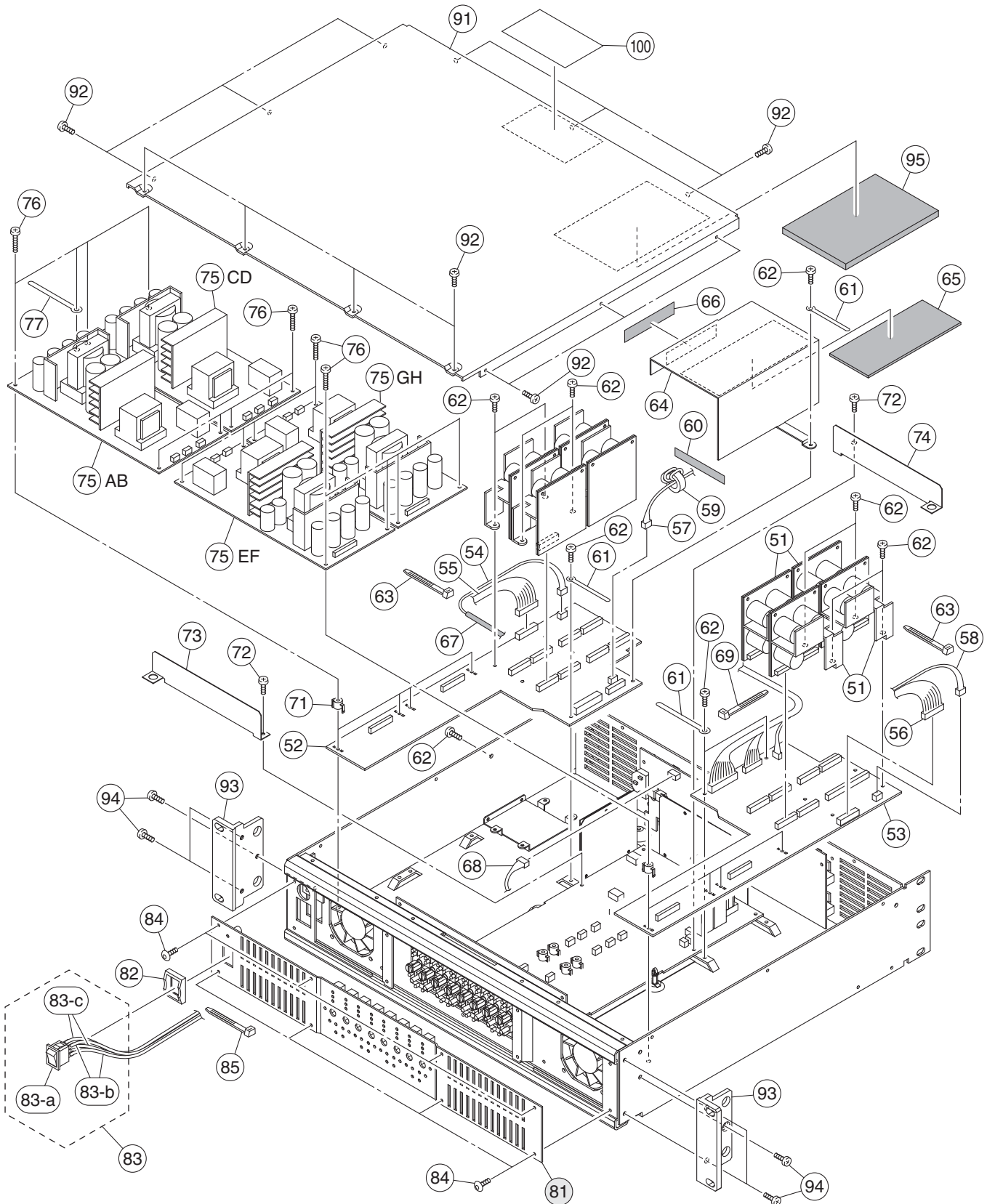
## ■ WARNING (注意)

Components having special characteristics are marked  $\triangle$  and must be replaced with parts having specification equal to those originally installed.

$\triangle$  印の商品は、安全を維持するために重要な部品です。交換する場合は、安全のために必ず指定の部品をご使用ください。

- The numbers "QTY" show quantities for each unit.
- The parts with "--" in "PART NO." are not available as spare parts.
- This mark "}" in the REMARKS column means these parts are interchangeable.
- The second letter of the shaded (■) part number is O, not zero.
- The second letter of the shaded (■) part number is I, not one.
- 部品価格ランクは、変更になることがあります。
- QTY 欄に記されている数字は、各ユニット当たりの使用個数です。
- PART NO. が "--" の部品は、サービス用部品として準備されておりません。
- REMARKS 欄の「}」マークの部品は、併用部品です。
- 網掛けの付いた PART NO. の 2 番目の文字は「ゼロ」ではなく、「オー」です。
- 網掛けの付いた PART NO. の 2 番目の文字は「イチ」ではなく、「アイ」です。

# OVERALL ASSEMBLY 1/2 (総組立 1/2)



DECO panel assembly (See page 7)  
(DECO パネル Ass'y (7 ページ参照))

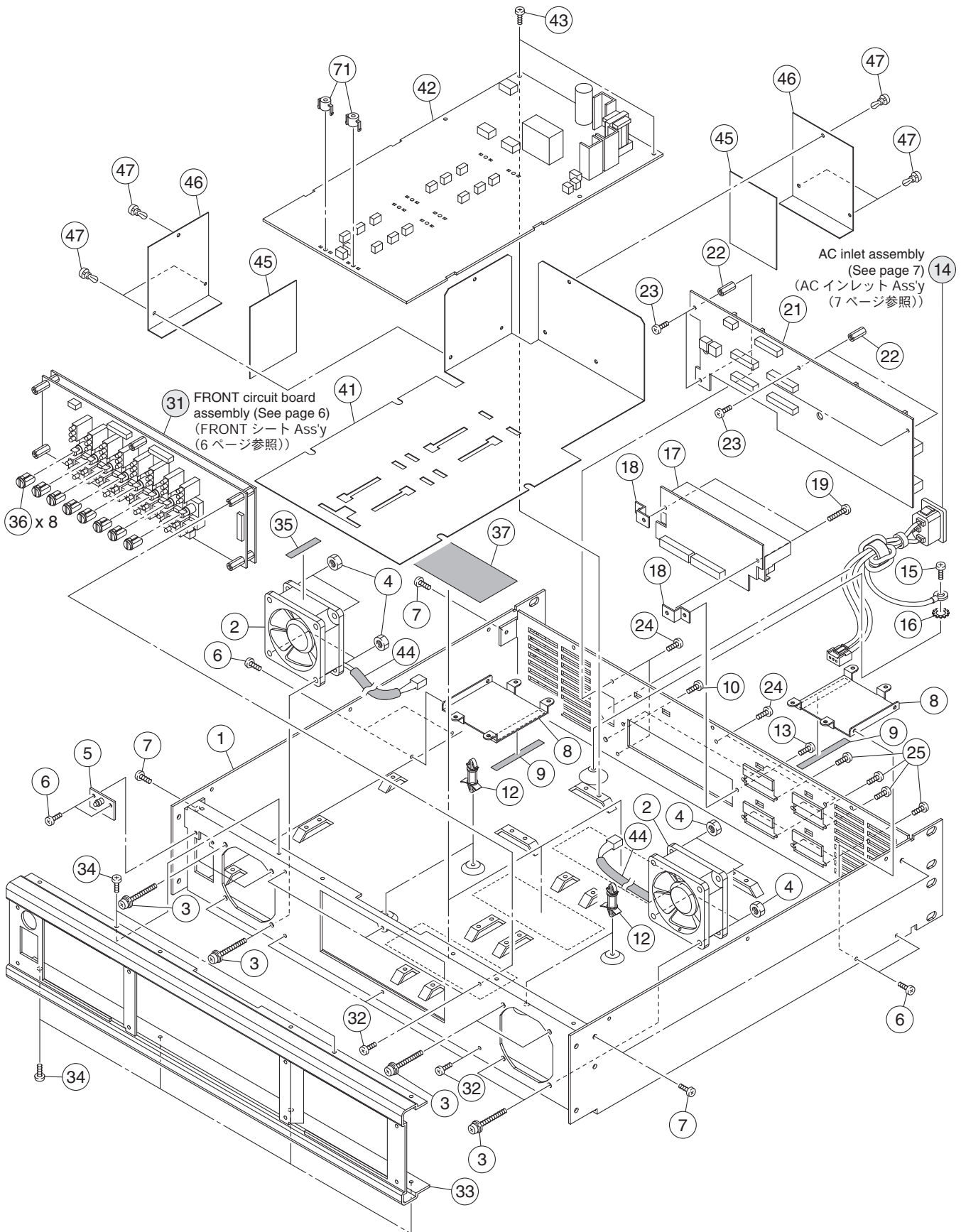


REF NO.	PART NO.	DESCRIPTION	部 品 名	REMARKS	QTY	RANK
* 51	WR983400	OVERALL ASSEMBLY	総 組 立			
* 52	AA96230	CIRCUIT BOARD	A M P シ ー ト	498457	8	
* 53	WR986100	CIRCUIT BOARD	MOTHER A-D	498459		
* 54	WT868100	CONNECTOR ASSEMBLY	MOTHER E-H	498458-1(WR98320)		
* 55	WT867700	CONNECTOR ASSEMBLY	束 線	500434		
* 56	WT867800	CONNECTOR ASSEMBLY	束 線	494170		
* 57	WT868200	CONNECTOR ASSEMBLY	束 線	494171		
* 58	WR964700	CONNECTOR ASSEMBLY	束 線	500435		
* 59	-	FERRITE CORE	束 線	484447		
* 60	WT891200	CUSHION	フ ェ ラ イ ト コ ア	412809 (WR98600)		
* 61	-	BRACKET CLIP	ク ッ シ ョ ン	490290		
* 62	WS522000	BIND HEAD TAPPING SCREW-B	ブ ラ ケ ッ ト ク リ ッ プ	429516	4	
* 63	AA6324R	CORD BINDER	B タ イ ト + B I N D	417371	13	
* 64	-	SHIELD COVER	イ ン シ ュ ロ ッ ク タ イ	080558	2	
* 65	-	CUSHION	シ ー ル ド カ バ ー	494768		
* 66	WS523000	CUSHION GASKET	ク ッ シ ョ ン	496303		
* 67	WR982700	TUBE	不 織 布 ガ ス ケ ッ ト	490289		
* 68	WR964800	CONNECTOR ASSEMBLY	ス ミ チ ュ ー プ	490288		
* 69	-	CORD BINDER	束 線	484448		
* 71	WS495200	PWB SPACER	イ ン シ ュ ロ ッ ク タ イ	080558 (AA6324)	2	
* 72	WS522000	BIND HEAD TAPPING SCREW-B	基 板 ス ペ ー サ ー	484745	16	
* 73	WS495600	INSULATION SHEET F	B タ イ ト + B I N D	417371	2	
* 74	WS495500	INSULATION SHEET E	絶 縁 シ ー ト F	490233		
* 75	WR983100	CIRCUIT BOARD	絶 縁 シ ー ト E	490232		
* 76	WT892700	BIND HEAD TAPPING SCREW-B	P O W E R シ ー ト	498460	4	
* 77	-	BRACKET CLIP	B タ イ ト + B I N D	497092	16	
* 81	WT891100	DECO PANEL ASSEMBLY	ブ ラ ケ ッ ト ク リ ッ プ	429516		
* 82	WS494600	SWITCH ESCUTCHEON	D E C O パ ネ ル A s s ' y	498463		
* 83	-	POWER SWITCH ASSEMBLY	S W エ ス カ ッ シ ョ ン	484746		
△ * 83a	WR971800	POWER SWITCH	電 源 ス イ ッ チ	POWER		
* 83b	WT867500	CONNECTOR ASSEMBLY	電 源 ス イ ッ チ	425797		
* 83c	WT867600	CONNECTOR ASSEMBLY	束 線	493992		
* 84	WP927800	HEXAGONAL TAPPING SCREW-B	束 線	493993		
* 85	-	CORD BINDER	六 角 穴 付 B タ イ ト ネ ジ	411067	8	
* 91	WS494200	TOP COVER	イ ン シ ュ ロ ッ ク タ イ	080558 (AA6324)		
* 92	WS522000	BIND HEAD TAPPING SCREW-B	ト ッ プ カ バ ー	484730		
* 93	WS494400	L ANGLE	B タ イ ト + B I N D	417371	13	
* 94	WP183100	BIND HEAD TAPPING SCREW-B	L ア ン グ ル	484732	2	
* 95	WT892500	CUSHION	B タ イ ト + B I N D	414197	6	01
* 100	WT891400	NAMEPLATE LABEL	ク ッ シ ョ ン	490302		
* 100	WT891500	NAMEPLATE LABEL	銘 板 ラ ベ ル	491488		
* 100	WT891600	NAMEPLATE LABEL	銘 板 ラ ベ ル	491489		
* 100	WT891700	NAMEPLATE LABEL	銘 板 ラ ベ ル	491490		
* 100	WT891700	NAMEPLATE LABEL	銘 板 ラ ベ ル	493070		
* 100	WU437000	NAMEPLATE LABEL	銘 板 ラ ベ ル	506410		

\* : New Parts

RANK: Japan only

# OVERALL ASSEMBLY 2/2 (総組立 2/2)

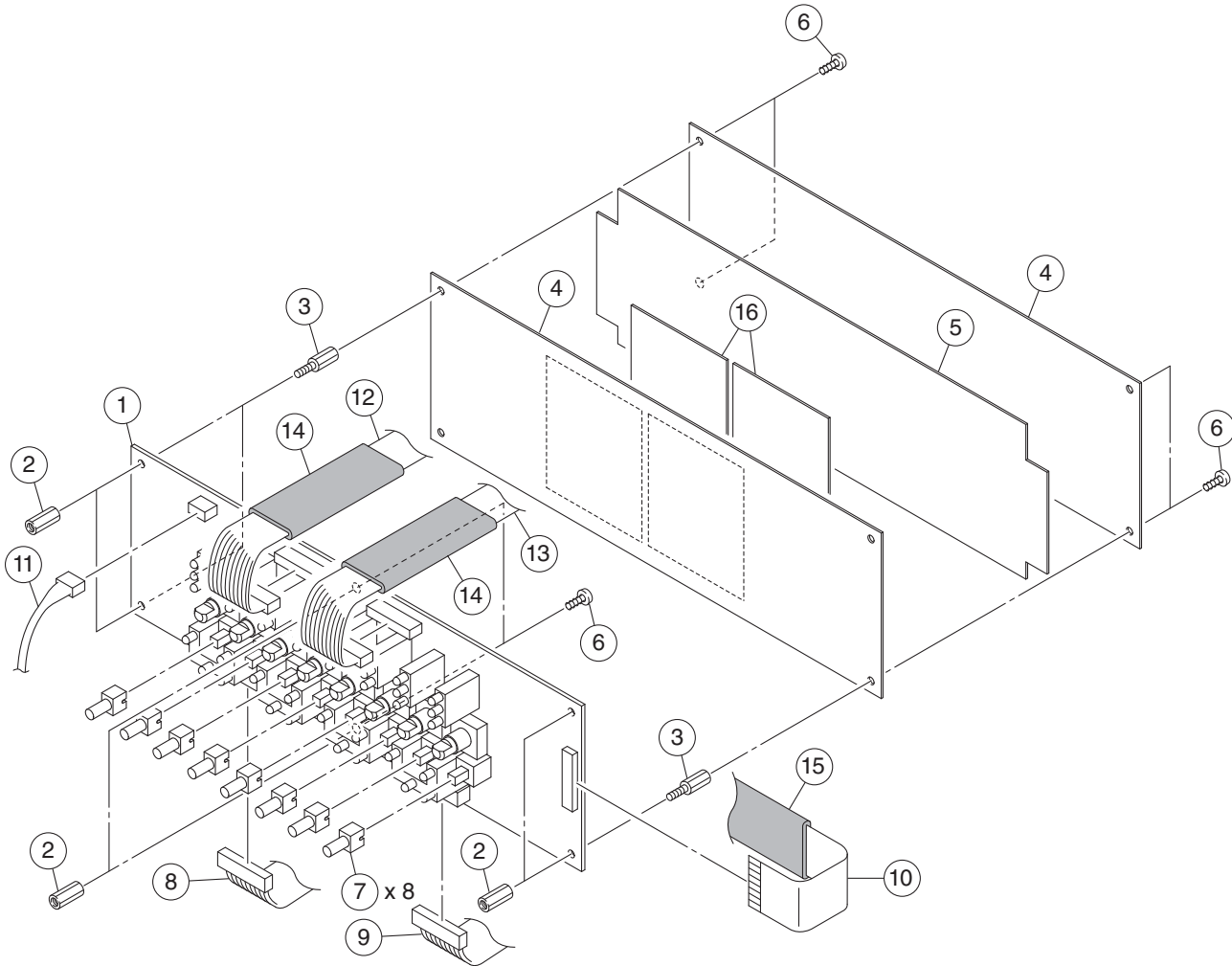


REF NO.	PART NO.	DESCRIPTION	部 品 名	REMARKS	QTY	RANK
* 1	WS494100	OVERALL ASSEMBLY	総組立			
* 2	WR973700	CHASSIS	シャーシ印刷	484727		
* 3	WS522200	DC FAN	AFB0612M-8T29	484455	2	
* 4	WS522200	PAN HEAD SCREW	M4x35 CR3 BLACK	489656	8	
* 5	AAAX61890	HEXAGONAL NUT	M4.0 CR3	410782	8	
* 6	AAAX96250	CIRCUIT BOARD	LED	498458-3(WR98320)		
* 7	WS522000	BIND HEAD TAPPING SCREW-B	3x8 MFZN2BL	417371	6	
* 8	WP183100	BIND HEAD TAPPING SCREW-B	4x8 NI-BL	414197	4	01
* 9	--	AMP BRACKET		484749	2	
* 10	WS523000	CUSHION GASKET	10x60 E02F4T	490289	2	
* 11	WS522700	BIND HEAD SCREW	M4x8 CR3 BLACK	497079		
* 12	--	SPACER	SPM-7	495946 (WS52390)	4	
* 13	WS522000	BIND HEAD TAPPING SCREW-B	3x8 MFZN2BL	417371	2	
* 14	WT881000	AC INLET ASSEMBLY		498462		
* 15	WS522700	BIND HEAD SCREW	M4x8 CR3 BLACK	497079		
* 16	WP183300	TOOTHED LOCK WASHER B	M4.0 CR3	416947		01
* 17	AAAX96240	CIRCUIT BOARD	CONNECTOR	498458-2(WR98320)		
* 18	WS494300	BRACKET TERMINAL		484731	2	
* 19	WS522600	BIND HEAD SCREW	4x30 MFZN2B3	454876	2	
* 20	WR983500	CIRCUIT BOARD	REAR	498456		
* 21	--	SPACER	L=12	484743	4	
* 22	WS522500	BIND HEAD SCREW	3x6 MFZN2B3	423329	4	
* 23	WS522500	BIND HEAD SCREW	3x6 MFZN2B3	423329	4	
* 24	WS522400	PAN HEAD SCREW	M2.6x6 NI-BL	490287	8	
* 25	--	FRONT CIRCUIT BOARD ASSEMBLY				
* 26	WS522500	BIND HEAD SCREW	3x6 MFZN2B3	423329	6	
* 27	WS494000	FRONT PANEL		484721		
* 28	WS522000	BIND HEAD TAPPING SCREW-B	3x8 MFZN2BL	417371	6	
* 29	--	ADHESIVE TAPE	5x20	038622		
* 30	WS496100	VOLUME KNOB		490831	8	
* 31	WS523100	CUSHION	50x130x1	495527	3	
* 32	--	INSULATION SHEET A		495252 (WT89180)		
* 33	WR981700	CIRCUIT BOARD	INPUT POWER	498461		
* 34	WS522000	BIND HEAD TAPPING SCREW-B	3x8 MFZN2BL	417371	2	
* 35	WR982700	TUBE	8x160 BLACK UL,CSA	490288	2	
* 36	--	SHIELD PLATE	50x67x0.1x2	497613	2	
* 37	--	INSULATION SHEET G		497558 (WT89200)	2	
* 38	AAAX62000	RIVET	P2032B	413289	6	
* 39	WS495200	PWB SPACER		484745	16	
ACCESSORIES						
* 40	WG261700	POWER CABLE	J	414427		08
* 41	WR981800	AC CORD	UC	484443		
* 42	WH221600	AC CORD	BS	444740		12
* 43	WR981900	AC CORD	E	490311		
* 44	AAAX6956R	AC CORD	CNH	414426		12
* 45	WT892400	HEXAGONAL WRENCH	16x50 2.0mm	483055		
* 46	AAAX61840	SECURITY COVER ATTACHMENT SCREW	3.0x8 NI-BL	411066	2	01
* 47	WR963700	3-PIN EUROBLOCK CONNECTOR	MC100-50803	484482	8	
* 48	WS495800	SECURITY COVER		484747		

\* : New Parts

RANK: Japan only

# FRONT CIRCUIT BOARD ASSEMBLY (FRONT シート Ass'y)

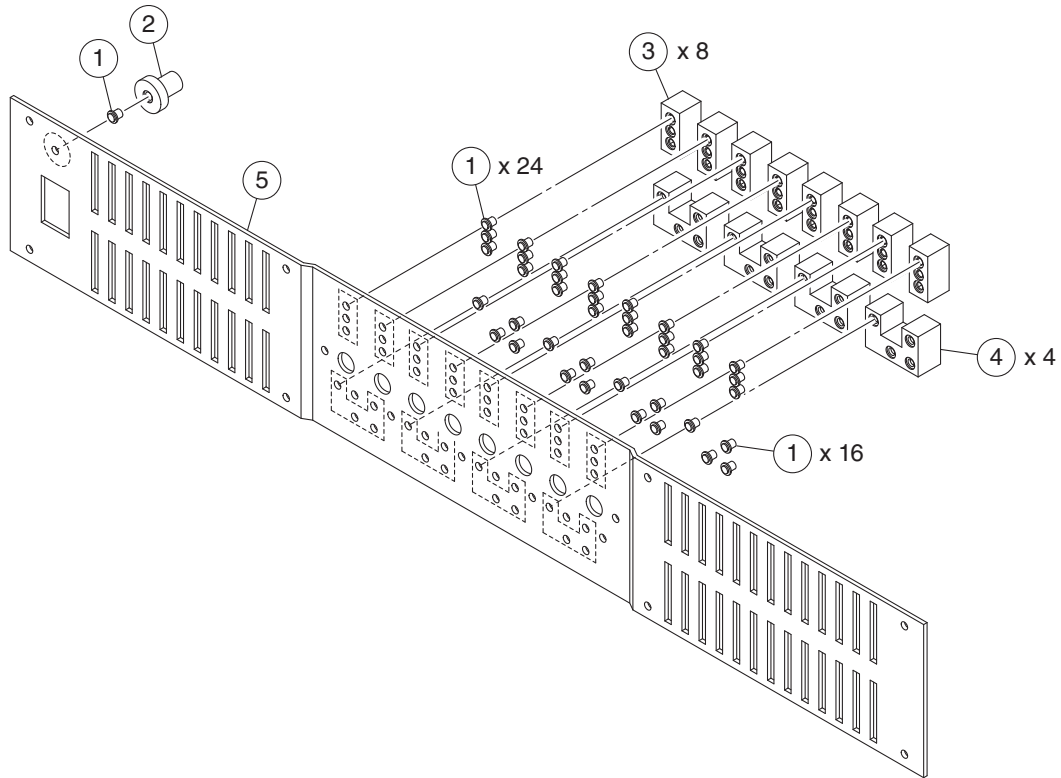


REF NO.	PART NO.	DESCRIPTION	部 品 名	REMARKS	QTY	RANK
	--	FRONT CIRCUIT BOARD ASSEMBLY	FRONTシートAss'y			
* 1	WR983600	CIRCUIT BOARD	FRONTシート		498455	
2	--	SPACER	スペーサー		484743	6
* 3	WS522800	HEXAGONAL SPACER	スペーサー		490237	4
4	--	INSULATION SHEET E	絶縁シートC	491741 (WT89190)		2
5	--	SHIELD PLATE	シールド板		491743	
* 6	WS522500	BIND HEAD SCREW	小ネジ+BIND		423329	6
* 7	WS494700	PUSH KNOB	プッシュノブ	MUTE CH (A-H)	484737	8
* 8	WR964500	CONNECTOR ASSEMBLY	PH-PH 12P-A	束線	484445	
* 9	WR964600	CONNECTOR ASSEMBLY	PH-PH 12P-B	束線	484446	
* 10	WR982200	FFC CABLE	XM8 LF	FFCケーブル	484454	
* 11	WR965300	CONNECTOR ASSEMBLY	ZH-ZH 2P3 XM8	束線	484453	
* 12	WR965200	CONNECTOR ASSEMBLY	ZH-ZH 12P-A XM8	束線	484452	
* 13	WR965700	CONNECTOR ASSEMBLY	ZH-ZH 12P-B XM8	束線	490156	
* 14	WT891300	CUSHION	40x110x1	クッション	490291	2
15	--	CUSHION	50x130x1	クッション	495527	
16	--	SHIELD PLATE	50x67x0.1x2	シールドプレート	497613	2

\* : New Parts

RANK: Japan only

## ■ DECO PANEL ASSEMBLY (DECO パネル Ass'y)

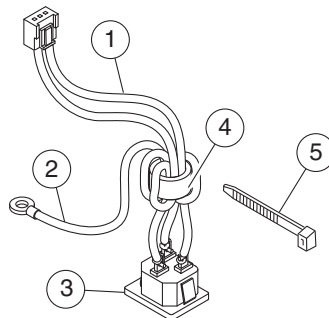


REF NO.	PART NO.	DESCRIPTION	部 品 名	REMARKS	QTY	RANK
*	<b>WT891100</b>	DECO PANEL ASSEMBLY	DECOパネル Ass'y		498463	
1	--	LENS	レンズ		484738	41
2	--	LENS COVER	レンズカバー		489127	
3	--	LENS MASK A	レンズマスク A		484739	8
4	--	LENS MASK B	レンズマスク B		484740	4
5	--	DECO PANEL PRINT	DECOパネル		484724	

\* : New Parts

RANK: Japan only

## ■ AC INLET ASSEMBLY (AC インレット Ass'y)



REF NO.	PART NO.	DESCRIPTION	部 品 名	REMARKS	QTY	RANK
*	<b>WT881000</b>	AC INLET ASSEMBLY	ACインレット Ass'y		498462	
1	--	CONNECTOR ASSEMBLY	束線	VH2P3-A XM8 (BE/BR)	484444 (WR96440)	
2	--	CORD ASSEMBLY	束線	XM8 (GN/YL)	484451 (WR96510)	
3	--	AC INLET	ACインレット	SS-120-2.0	446341 (WJ27980)	4
4	--	FERRITE CORE	フェライトコア	HF70T18x6x10 LF	412809 (WR98600)	
5	--	CORD BINDER	インシュロックタイ	SKB-1M WH	080558 (AAX6324)	

\* : New Parts

RANK: Japan only

# ■ ELECTRICAL PARTS (電気部品)

REF. NO.	PART NO.	DESCRIPTION	部 品 名	REMARKS	QTY	RANK
		ELECTRICAL PARTS	電 気 部 品			
*	WR983400	CIRCUIT BOARD	AMP	498457	8	
*	AAX96240	CIRCUIT BOARD	CONNECTOR	498458-2(WR98320)		
*	WR983600	CIRCUIT BOARD	FRONT	498455		
*	WR981700	CIRCUIT BOARD	INPUT POWER	498461		
*	AAX96250	CIRCUIT BOARD	LED	498458-3(WR98320)		
*	AAX96230	CIRCUIT BOARD	MOTHER A-D	498458-1(WR98320)		
*	WR986100	CIRCUIT BOARD	MOTHER E-H	498459		
*	WR983100	CIRCUIT BOARD	POWER	498460	4	
*	WR983500	CIRCUIT BOARD	REAR	498456		
	WR983400	CIRCUIT BOARD	AMP	498457		
	--	HEAT SINK	放 熱 板	484733		
	--	INSULATION SHEET D	絶 縁 シ ー ト D	490231 (WS49600)		
*	WP928000	HEXAGONAL NUT	六 角 ナ ッ ト	422987	2	
	WP182700	SC PN S-W	M3x12 CR3	408158	2	01
*	WS524000	PLASTIC RIVET	ネ	490182	2	
	--	ADHESIVE TAPE	プ ラ ス チ ッ ク リ ベ ッ ト	038622		
*	ICP1 WS481000	OVER CURRENT PROTECTOR	ICP-S1.2	488606		
1100	WJ593500	CONNECTOR BASE POST	11P 52418-1110 LF	444628		05
1101	WJ593500	CONNECTOR BASE POST	11P 52418-1110 LF	444628		05
2100	WP064600	CERAMIC CAPACITOR (CHIP)	0.1uF 100V	469854		02
2101	WR969300	ELECTROLYTIC CAPACITOR	820uF 63V	484536		
2102	WP064600	CERAMIC CAPACITOR (CHIP)	0.1uF 100V	469854		02
2103	AAX6273R	CERAMIC CAPACITOR (CHIP)	0.01uF 50V K	368353		
2104	WP067900	ELECTROLYTIC CAP.	22uF 100V	469853		02
2105	WP064600	CERAMIC CAPACITOR (CHIP)	0.1uF 100V	469854		02
2106	WU376900	CERAMIC CAPACITOR (CHIP)	220pF 250V	504800		01
2107	AAX6302R	CERAMIC CAPACITOR (CHIP)	1000pF K	065501		
2108	AAX6350R	ELECTROLYTIC CAP.	100uF 16V	066700		01
2109	WJ592100	CERAMIC CAPACITOR (CHIP)	0.47uF K	334335		03
2110	WJ591300	CERAMIC CAPACITOR (CHIP)	330pF J	420810		01
2111	WP064100	CERAMIC CAPACITOR (CHIP)	3900pF K	457806		01
2112	WJ592300	CERAMIC CAPACITOR (CHIP)	0.1uF Z	431122		01
2113	WJ588100	MYLAR CAPACITOR	1.25uF 50V J	056221		05
2114	WP064600	CERAMIC CAPACITOR (CHIP)	0.1uF 100V	469854		02
2115	AAX6302R	CERAMIC CAPACITOR (CHIP)	1000pF K	065501		
2116	WJ591300	CERAMIC CAPACITOR (CHIP)	330pF J	420810		01
2117	WJ592100	CERAMIC CAPACITOR (CHIP)	0.47uF K	334335		03
2118	WP064100	CERAMIC CAPACITOR (CHIP)	3900pF K	457806		01
2119	WU376900	CERAMIC CAPACITOR (CHIP)	220pF 250V	504800		01
2120	WJ592100	CERAMIC CAPACITOR (CHIP)	0.47uF K	334335		03
2121	WP067900	ELECTROLYTIC CAP.	22uF 100V	469853		02
2122	WP064600	CERAMIC CAPACITOR (CHIP)	0.1uF 100V	469854		02
2123	AAX6273R	CERAMIC CAPACITOR (CHIP)	0.01uF 50V K	368353		
2124	WR969300	ELECTROLYTIC CAPACITOR	820uF 63V	484536		
2125	WP064600	CERAMIC CAPACITOR (CHIP)	0.1uF 100V	469854		02
2126	WP064600	CERAMIC CAPACITOR (CHIP)	0.1uF 100V	469854		02
2130	AAX6273R	CERAMIC CAPACITOR (CHIP)	0.01uF 50V K	368353		
2131	WP064600	CERAMIC CAPACITOR (CHIP)	0.1uF 100V	469854		02
2132	AAX6273R	CERAMIC CAPACITOR (CHIP)	0.01uF 50V K	368353		
2133	WR959500	CERAMIC CAPACITOR (CHIP)	33pF 50V J	368361		
2134	WJ592200	CERAMIC CAPACITOR (CHIP)	0.1uF 25V K	374404		01
2135	WJ592200	CERAMIC CAPACITOR (CHIP)	0.1uF 25V K	374404		01
3100	AAX6315R	CARBON RESISTOR (CHIP)	10 J	067492		01
3101	WN825200	CARBON RESISTOR (CHIP)	0.043 1W	469855		03
3102	AAX6290R	CARBON RESISTOR (CHIP)	470 J	067544		
3103	AAX6312R	CARBON RESISTOR (CHIP)	1M J	067500		
3104	AAX6280R	CARBON RESISTOR (CHIP)	47K J	067546		01
3105	WP920300	CARBON RESISTOR (CHIP)	33K J	067641		
3106	AAX6311R	CARBON RESISTOR (CHIP)	3.3K J	067531		
3107	AAX6292R	CARBON RESISTOR (CHIP)	100K J	067499		
3108	WP440100	CARBON RESISTOR (CHIP)	22 1W	471638		02
3109	AAX6406R	CARBON RESISTOR (CHIP)	27K J	067527		
3110	WR951400	CARBON RESISTOR (CHIP)	56 1/10W J	067550		
3111	WJ599700	CARBON RESISTOR (CHIP)	390 J	067538		01
3112	AAX6407R	CARBON RESISTOR (CHIP)	12K J	067504		
3113	WT870100	CARBON RESISTOR (CHIP)	3.9K 1/16W F	423389		
3114	AAX6290R	CARBON RESISTOR (CHIP)	470 J	067544		
3115	AAX6281R	CARBON RESISTOR (CHIP)	1K J	067495		01

\*: New Parts

RANK: Japan only

AMP

REF NO.	PART NO.	DESCRIPTION	部 品 名	REMARKS	QTY	RANK
* 3116	WR958800	CARBON RESISTOR (CHIP)	1.8K 1/10W F	チ ッ プ 抵 抗	423390	
3117	AAx6281R	CARBON RESISTOR (CHIP)	1K J	チ ッ プ 抵 抗	067495	01
3118	AAx6407R	CARBON RESISTOR (CHIP)	12K J	チ ッ プ 抵 抗	067504	
* 3119	WT869900	CARBON RESISTOR (CHIP)	6.8K 1/16W F	チ ッ プ 抵 抗	085280	
3120	AAx6281R	CARBON RESISTOR (CHIP)	1K J	チ ッ プ 抵 抗	067495	01
3121	WJ611600	POSITIVE THERMISTOR	TFPT0805L3901KM T	ボ ジ ス タ	432431	07
* 3122	WR958800	CARBON RESISTOR (CHIP)	1.8K 1/10W F	チ ッ プ 抵 抗	423390	
3123	AAx6281R	CARBON RESISTOR (CHIP)	1K J	チ ッ プ 抵 抗	067495	01
3124	WP440100	CARBON RESISTOR (CHIP)	22 1W	チ ッ プ 抵 抗	471638	02
* 3125	WR951400	CARBON RESISTOR (CHIP)	56 1/10W J	チ ッ プ 抵 抗	067550	
3126	WJ599700	CARBON RESISTOR (CHIP)	390 J	チ ッ プ 抵 抗	067538	01
3127	AAx6290R	CARBON RESISTOR (CHIP)	470 J	チ ッ プ 抵 抗	067544	
3128	AAx6311R	CARBON RESISTOR (CHIP)	3.3K J	チ ッ プ 抵 抗	067531	
3129	AAx6281R	CARBON RESISTOR (CHIP)	1K J	チ ッ プ 抵 抗	067495	01
3130	AAx6408R	CARBON RESISTOR (CHIP)	680 J	チ ッ プ 抵 抗	067557	01
3131	AAx6317R	CARBON RESISTOR (CHIP)	560 J	チ ッ プ 抵 抗	067551	
3132	AAx6408R	CARBON RESISTOR (CHIP)	680 J	チ ッ プ 抵 抗	067557	01
3133	AAx6312R	CARBON RESISTOR (CHIP)	1M J	チ ッ プ 抵 抗	067500	
3134	WN825200	CARBON RESISTOR (CHIP)	0.043 1W	チ ッ プ 抵 抗	469855	03
3135	AAx6315R	CARBON RESISTOR (CHIP)	10 J	チ ッ プ 抵 抗	067492	01
3136	WJ606900	CARBON RESISTOR (CHIP)	15K J	チ ッ プ 抵 抗	067709	01
3137	WJ613400	TRIMMER POTENTIOMETER	100 KVSF639TC101	半 固 定 抵 抗	459054	03
3138	WJ599500	CARBON RESISTOR (CHIP)	100 J	チ ッ プ 抵 抗	067493	01
3139	WJ599500	CARBON RESISTOR (CHIP)	100 J	チ ッ プ 抵 抗	067493	01
3140	AAx6379R	CARBON RESISTOR (CHIP)	22K J	チ ッ プ 抵 抗	067520	
3141	AAx6379R	CARBON RESISTOR (CHIP)	22K J	チ ッ プ 抵 抗	067520	
3142	AAx6288R	CARBON RESISTOR (CHIP)	10K J	チ ッ プ 抵 抗	067497	03
3143	AAx6288R	CARBON RESISTOR (CHIP)	10K J	チ ッ プ 抵 抗	067497	03
3144	AAx6292R	CARBON RESISTOR (CHIP)	100K J	チ ッ プ 抵 抗	067499	
* 3145	WR966800	THERMISTOR	TPM1S471P065R	サ ミ ス タ	484458	
3146	AAx6315R	CARBON RESISTOR (CHIP)	10 J	チ ッ プ 抵 抗	067492	01
* 3147	WR967000	THERMISTOR	TPM1S471P095R	サ ミ ス タ	484461	
3148	AAx6292R	CARBON RESISTOR (CHIP)	100K J	チ ッ プ 抵 抗	067499	
* 3149	WT870200	CARBON RESISTOR (CHIP)	4.3K 1/16W F	チ ッ プ 抵 抗	500382	
* 3150	WR951400	CARBON RESISTOR (CHIP)	56 1/10W J	チ ッ プ 抵 抗	067550	
* 3151	WR951400	CARBON RESISTOR (CHIP)	56 1/10W J	チ ッ プ 抵 抗	067550	
3152	AAx6406R	CARBON RESISTOR (CHIP)	27K J	チ ッ プ 抵 抗	067527	
5100	WJ594100	COIL	BLM41PG750SN1L T	コ イ ル	432423	03
* 5101	WU597300	COIL	FT6033A LF	コ イ ル	504929	
5102	WJ594000	COIL	BLM21PG221SN1D T	コ イ ル	432422	01
5103	WJ594100	COIL	BLM41PG750SN1L T	コ イ ル	432423	03
6100	WP066700	DIODE	RF051VA1STR T	ダ イ オード	469848	03
6101	WP066700	DIODE	RF051VA1STR T	ダ イ オード	469848	03
6102	WP067100	DIODE	RB501V-40TE-17 T	ダ イ オード	469850	02
6103	WN946400	ZENER DIODE	UDZS12B TE-17	ツェナーダイオード	069032	01
6104	WP066800	DIODE	RF051VA1STR T	ダ イ オード	469849	03
6105	WJ595300	ZENER DIODE	PDZ-3.3B T LF	ツェナーダイオード	432428	02
6106	WP066800	DIODE	RF051VA1STR T	ダ イ オード	469849	03
6107	WP067100	DIODE	RB501V-40TE-17 T	ダ イ オード	469850	02
6108	WP066700	DIODE	RF051VA1STR T	ダ イ オード	469848	03
6109	WP067100	DIODE	RB501V-40TE-17 T	ダ イ オード	469850	02
6110	WP067100	DIODE	RB501V-40TE-17 T	ダ イ オード	469850	02
7100	WP065600	TRANSISTOR	2SA1579 T106 T	トランジスタ	469845	02
7101	WP440300	TRANSISTOR	2SA1721-O(TE85L F) T	トランジスタ	471639	04
7102	WP065600	TRANSISTOR	2SA1579 T106 T	トランジスタ	469845	02
7103	WP065400	FET	2SK3603-01MR	F E T	469843	08
* 7104	WR970600	TRANSISTOR	2SA1036K	トランジスタ	084677	
7105	WP441600	TRANSISTOR	2SB1694 T106 T	トランジスタ	449267	02
7107	WP065600	TRANSISTOR	2SA1579 T106 T	トランジスタ	469845	02
7108	WP065600	TRANSISTOR	2SA1579 T106 T	トランジスタ	469845	02
7109	WP065400	FET	2SK3603-01MR	F E T	469843	08
* 7110	WR970600	TRANSISTOR	2SA1036K	トランジスタ	084677	
7112	WP441600	TRANSISTOR	2SB1694 T106 T	トランジスタ	449267	02
7113	WN946100	TRANSISTOR	2SC4081 T106 RS	トランジスタ	068880	01
7114	WN946100	TRANSISTOR	2SC4081 T106 RS	トランジスタ	068880	01
7115	WP066500	TRANSISTOR	2SC4102 T106 T	トランジスタ	469847	02
7116	WN946100	TRANSISTOR	2SC4081 T106 RS	トランジスタ	068880	01
7117	WN946100	TRANSISTOR	2SC4081 T106 RS	トランジスタ	068880	01
7119	WN939100	TRANSISTOR	2SC3906K RSE T146	トランジスタ	068869	02
7120	WN939100	TRANSISTOR	2SC3906K RSE T146	トランジスタ	068869	02

\* : New Parts

RANK: Japan only

**AMP and CONNECTOR and FRONT**

REF NO.	PART NO.	DESCRIPTION		部 品 名	REMARKS	QTY	RANK
7121	WN946100	TRANSISTOR	2SC4081 T106 RS	ト ラ ン ジ ス タ		068880	01
7122	WN946100	TRANSISTOR	2SC4081 T106 RS	ト ラ ン ジ ス タ		068880	01
C001	AAX96240	CIRCUIT BOARD	CONNECTOR	C O N N E C T O R シ ー ト	498458-2(WR98320)		
	AAX6302R	CERAMIC CAPACITOR (CHIP)	1000pF K	チ ッ プ セ ラ コ ン	065501		
* -016	AAX6302R	CERAMIC CAPACITOR (CHIP)	1000pF K	チ ッ プ セ ラ コ ン	065501		
* CN14	WR962700	CONNECTOR BASE POST	B 8P-VH	コ ネ ク タ ー ベ ー ス ポ ス ト	338865		
* CN15	WR962700	CONNECTOR BASE POST	B 8P-VH	コ ネ ク タ ー ベ ー ス ポ ス ト	338865		
* CN16	WR963600	CONNECTOR	17P OTB-6222-M T LF	コ ネ ク タ ー	484442		
EP001	--	LUG TERMINAL		ラ グ 端 子	490035 (WR98260)		
EP002	--	LUG TERMINAL		ラ グ 端 子	490035 (WR98260)		
	WR983600	CIRCUIT BOARD	FRONT	F R O N T シ ー ト	498455		
	--	LED SPACER A		L E D ス ペ ー サ ー A	484741 (WS49500)		
	--	LED SPACER B		L E D ス ペ ー サ ー B	484742 (WS49510)		
C100	AAX6273R	CERAMIC CAPACITOR (CHIP)	0.01uF 50V K	チ ッ プ セ ラ コ ン	368353		
C101	AAX6297R	ELECTROLYTIC CAP. (CHIP)	47uF 25V	チ ッ プ ケ ミ コ ン	412426		
C102	AAX6297R	ELECTROLYTIC CAP. (CHIP)	47uF 25V	チ ッ プ ケ ミ コ ン	412426		
C104	AAX6296R	CERAMIC CAPACITOR (CHIP)	27pF 50V J	チ ッ プ セ ラ コ ン	368358		
* C105	WR973900	POLYESTER FILM CAPACITOR	0.12uF 50V	ポ リ エ ス テ ル コ ン	064911		
* C106	WR973900	POLYESTER FILM CAPACITOR	0.12uF 50V	ポ リ エ ス テ ル コ ン	064911		
C107	WJ592200	CERAMIC CAPACITOR (CHIP)	0.1uF 25V K	チ ッ プ セ ラ コ ン	374404		01
C108	WJ592200	CERAMIC CAPACITOR (CHIP)	0.1uF 25V K	チ ッ プ セ ラ コ ン	374404		01
C109	AAX6299R	ELECTROLYTIC CAP. (CHIP)	10uF 35V	チ ッ プ ケ ミ コ ン	412428		02
* C110	WR974000	POLYESTER FILM CAPACITOR	0.33uF 50V J	ポ リ エ ス テ ル コ ン	064930		
* C111	WR974000	POLYESTER FILM CAPACITOR	0.33uF 50V J	ポ リ エ ス テ ル コ ン	064930		
C112	AAX6299R	ELECTROLYTIC CAP. (CHIP)	10uF 35V	チ ッ プ ケ ミ コ ン	412428		02
C113	AAX6297R	ELECTROLYTIC CAP. (CHIP)	47uF 25V	チ ッ プ ケ ミ コ ン	412426		
C114	WJ592200	CERAMIC CAPACITOR (CHIP)	0.1uF 25V K	チ ッ プ セ ラ コ ン	374404		01
C115	WJ592200	CERAMIC CAPACITOR (CHIP)	0.1uF 25V K	チ ッ プ セ ラ コ ン	374404		01
C116	AAX6273R	CERAMIC CAPACITOR (CHIP)	0.01uF 50V K	チ ッ プ セ ラ コ ン	368353		
C117	WJ592200	CERAMIC CAPACITOR (CHIP)	0.1uF 25V K	チ ッ プ セ ラ コ ン	374404		01
C118	WJ592200	CERAMIC CAPACITOR (CHIP)	0.1uF 25V K	チ ッ プ セ ラ コ ン	374404		01
C201	AAX6297R	ELECTROLYTIC CAP. (CHIP)	47uF 25V	チ ッ プ ケ ミ コ ン	412426		
C202	AAX6297R	ELECTROLYTIC CAP. (CHIP)	47uF 25V	チ ッ プ ケ ミ コ ン	412426		
C204	AAX6296R	CERAMIC CAPACITOR (CHIP)	27pF 50V J	チ ッ プ セ ラ コ ン	368358		
* C205	WR973900	POLYESTER FILM CAPACITOR	0.12uF 50V	ポ リ エ ス テ ル コ ン	064911		
* C206	WR973900	POLYESTER FILM CAPACITOR	0.12uF 50V	ポ リ エ ス テ ル コ ン	064911		
C207	WJ592200	CERAMIC CAPACITOR (CHIP)	0.1uF 25V K	チ ッ プ セ ラ コ ン	374404		01
C208	WJ592200	CERAMIC CAPACITOR (CHIP)	0.1uF 25V K	チ ッ プ セ ラ コ ン	374404		01
C209	AAX6299R	ELECTROLYTIC CAP. (CHIP)	10uF 35V	チ ッ プ ケ ミ コ ン	412428		02
* C210	WR974000	POLYESTER FILM CAPACITOR	0.33uF 50V J	ポ リ エ ス テ ル コ ン	064930		
* C211	WR974000	POLYESTER FILM CAPACITOR	0.33uF 50V J	ポ リ エ ス テ ル コ ン	064930		
C212	AAX6299R	ELECTROLYTIC CAP. (CHIP)	10uF 35V	チ ッ プ ケ ミ コ ン	412428		02
C213	AAX6297R	ELECTROLYTIC CAP. (CHIP)	47uF 25V	チ ッ プ ケ ミ コ ン	412426		
C216	AAX6273R	CERAMIC CAPACITOR (CHIP)	0.01uF 50V K	チ ッ プ セ ラ コ ン	368353		
C301	AAX6297R	ELECTROLYTIC CAP. (CHIP)	47uF 25V	チ ッ プ ケ ミ コ ン	412426		
C302	AAX6297R	ELECTROLYTIC CAP. (CHIP)	47uF 25V	チ ッ プ ケ ミ コ ン	412426		
C304	AAX6296R	CERAMIC CAPACITOR (CHIP)	27pF 50V J	チ ッ プ セ ラ コ ン	368358		
* C305	WR973900	POLYESTER FILM CAPACITOR	0.12uF 50V	ポ リ エ ス テ ル コ ン	064911		
* C306	WR973900	POLYESTER FILM CAPACITOR	0.12uF 50V	ポ リ エ ス テ ル コ ン	064911		
C307	WJ592200	CERAMIC CAPACITOR (CHIP)	0.1uF 25V K	チ ッ プ セ ラ コ ン	374404		01
C308	WJ592200	CERAMIC CAPACITOR (CHIP)	0.1uF 25V K	チ ッ プ セ ラ コ ン	374404		01
C309	AAX6299R	ELECTROLYTIC CAP. (CHIP)	10uF 35V	チ ッ プ ケ ミ コ ン	412428		02
* C310	WR974000	POLYESTER FILM CAPACITOR	0.33uF 50V J	ポ リ エ ス テ ル コ ン	064930		
* C311	WR974000	POLYESTER FILM CAPACITOR	0.33uF 50V J	ポ リ エ ス テ ル コ ン	064930		
C312	AAX6299R	ELECTROLYTIC CAP. (CHIP)	10uF 35V	チ ッ プ ケ ミ コ ン	412428		02
C313	AAX6297R	ELECTROLYTIC CAP. (CHIP)	47uF 25V	チ ッ プ ケ ミ コ ン	412426		
C314	WJ592200	CERAMIC CAPACITOR (CHIP)	0.1uF 25V K	チ ッ プ セ ラ コ ン	374404		01
C315	WJ592200	CERAMIC CAPACITOR (CHIP)	0.1uF 25V K	チ ッ プ セ ラ コ ン	374404		01
C316	AAX6273R	CERAMIC CAPACITOR (CHIP)	0.01uF 50V K	チ ッ プ セ ラ コ ン	368353		
C401	AAX6297R	ELECTROLYTIC CAP. (CHIP)	47uF 25V	チ ッ プ ケ ミ コ ン	412426		
C404	AAX6296R	CERAMIC CAPACITOR (CHIP)	27pF 50V J	チ ッ プ セ ラ コ ン	368358		
* C405	WR973900	POLYESTER FILM CAPACITOR	0.12uF 50V	ポ リ エ ス テ ル コ ン	064911		
* C406	WR973900	POLYESTER FILM CAPACITOR	0.12uF 50V	ポ リ エ ス テ ル コ ン	064911		
C407	WJ592200	CERAMIC CAPACITOR (CHIP)	0.1uF 25V K	チ ッ プ セ ラ コ ン	374404		01
C408	WJ592200	CERAMIC CAPACITOR (CHIP)	0.1uF 25V K	チ ッ プ セ ラ コ ン	374404		01
C409	AAX6299R	ELECTROLYTIC CAP. (CHIP)	10uF 35V	チ ッ プ ケ ミ コ ン	412428		02
* C410	WR974000	POLYESTER FILM CAPACITOR	0.33uF 50V J	ポ リ エ ス テ ル コ ン	064930		
* C411	WR974000	POLYESTER FILM CAPACITOR	0.33uF 50V J	ポ リ エ ス テ ル コ ン	064930		

\* : New Parts

RANK: Japan only



FRONT

REF NO.	PART NO.	DESCRIPTION	部 品 名	REMARKS	QTY	RANK
C412	<b>AA</b> X6299R	ELECTROLYTIC CAP. (CHIP)	10uF 35V	チ ッ プ ケ ミ コ ン	412428	02
C413	<b>AA</b> X6297R	ELECTROLYTIC CAP. (CHIP)	47uF 25V	チ ッ プ ケ ミ コ ン	412426	
C416	<b>AA</b> X6273R	CERAMIC CAPACITOR (CHIP)	0.01uF 50V K	チ ッ プ セ ラ コ ン	368353	
C501	<b>AA</b> X6297R	ELECTROLYTIC CAP. (CHIP)	47uF 25V	チ ッ プ ケ ミ コ ン	412426	
C502	<b>AA</b> X6297R	ELECTROLYTIC CAP. (CHIP)	47uF 25V	チ ッ プ ケ ミ コ ン	412426	
C504	<b>AA</b> X6296R	CERAMIC CAPACITOR (CHIP)	27pF 50V J	チ ッ プ セ ラ コ ン	368358	
* C505	<b>WR</b> 973900	POLYESTER FILM CAPACITOR	0.12uF 50V	ポ リ エ ス テ ル コ ン	064911	
* C506	<b>WR</b> 973900	POLYESTER FILM CAPACITOR	0.12uF 50V	ポ リ エ ス テ ル コ ン	064911	
C507	<b>WJ</b> 592200	CERAMIC CAPACITOR (CHIP)	0.1uF 25V K	チ ッ プ セ ラ コ ン	374404	01
C508	<b>WJ</b> 592200	CERAMIC CAPACITOR (CHIP)	0.1uF 25V K	チ ッ プ セ ラ コ ン	374404	01
C509	<b>AA</b> X6299R	ELECTROLYTIC CAP. (CHIP)	10uF 35V	チ ッ プ ケ ミ コ ン	412428	02
* C510	<b>WR</b> 974000	POLYESTER FILM CAPACITOR	0.33uF 50V J	ポ リ エ ス テ ル コ ン	064930	
* C511	<b>WR</b> 974000	POLYESTER FILM CAPACITOR	0.33uF 50V J	ポ リ エ ス テ ル コ ン	064930	
C512	<b>AA</b> X6299R	ELECTROLYTIC CAP. (CHIP)	10uF 35V	チ ッ プ ケ ミ コ ン	412428	02
C513	<b>AA</b> X6297R	ELECTROLYTIC CAP. (CHIP)	47uF 25V	チ ッ プ ケ ミ コ ン	412426	
C514	<b>WJ</b> 592200	CERAMIC CAPACITOR (CHIP)	0.1uF 25V K	チ ッ プ セ ラ コ ン	374404	01
C515	<b>WJ</b> 592200	CERAMIC CAPACITOR (CHIP)	0.1uF 25V K	チ ッ プ セ ラ コ ン	374404	01
C516	<b>AA</b> X6273R	CERAMIC CAPACITOR (CHIP)	0.01uF 50V K	チ ッ プ セ ラ コ ン	368353	
C517	<b>WJ</b> 592200	CERAMIC CAPACITOR (CHIP)	0.1uF 25V K	チ ッ プ セ ラ コ ン	374404	01
C518	<b>WJ</b> 592200	CERAMIC CAPACITOR (CHIP)	0.1uF 25V K	チ ッ プ セ ラ コ ン	374404	01
C601	<b>AA</b> X6297R	ELECTROLYTIC CAP. (CHIP)	47uF 25V	チ ッ プ ケ ミ コ ン	412426	
C602	<b>AA</b> X6297R	ELECTROLYTIC CAP. (CHIP)	47uF 25V	チ ッ プ ケ ミ コ ン	412426	
C604	<b>AA</b> X6296R	CERAMIC CAPACITOR (CHIP)	27pF 50V J	チ ッ プ セ ラ コ ン	368358	
* C605	<b>WR</b> 973900	POLYESTER FILM CAPACITOR	0.12uF 50V	ポ リ エ ス テ ル コ ン	064911	
* C606	<b>WR</b> 973900	POLYESTER FILM CAPACITOR	0.12uF 50V	ポ リ エ ス テ ル コ ン	064911	
C607	<b>WJ</b> 592200	CERAMIC CAPACITOR (CHIP)	0.1uF 25V K	チ ッ プ セ ラ コ ン	374404	01
C608	<b>WJ</b> 592200	CERAMIC CAPACITOR (CHIP)	0.1uF 25V K	チ ッ プ セ ラ コ ン	374404	01
* C610	<b>WR</b> 974000	POLYESTER FILM CAPACITOR	0.33uF 50V J	ポ リ エ ス テ ル コ ン	064930	
* C611	<b>WR</b> 974000	POLYESTER FILM CAPACITOR	0.33uF 50V J	ポ リ エ ス テ ル コ ン	064930	
C613	<b>AA</b> X6297R	ELECTROLYTIC CAP. (CHIP)	47uF 25V	チ ッ プ ケ ミ コ ン	412426	
C616	<b>AA</b> X6273R	CERAMIC CAPACITOR (CHIP)	0.01uF 50V K	チ ッ プ セ ラ コ ン	368353	
C701	<b>AA</b> X6297R	ELECTROLYTIC CAP. (CHIP)	47uF 25V	チ ッ プ ケ ミ コ ン	412426	
C702	<b>AA</b> X6297R	ELECTROLYTIC CAP. (CHIP)	47uF 25V	チ ッ プ ケ ミ コ ン	412426	
C704	<b>AA</b> X6296R	CERAMIC CAPACITOR (CHIP)	27pF 50V J	チ ッ プ セ ラ コ ン	368358	
* C705	<b>WR</b> 973900	POLYESTER FILM CAPACITOR	0.12uF 50V	ポ リ エ ス テ ル コ ン	064911	
* C706	<b>WR</b> 973900	POLYESTER FILM CAPACITOR	0.12uF 50V	ポ リ エ ス テ ル コ ン	064911	
C707	<b>WJ</b> 592200	CERAMIC CAPACITOR (CHIP)	0.1uF 25V K	チ ッ プ セ ラ コ ン	374404	01
C708	<b>WJ</b> 592200	CERAMIC CAPACITOR (CHIP)	0.1uF 25V K	チ ッ プ セ ラ コ ン	374404	01
C709	<b>AA</b> X6299R	ELECTROLYTIC CAP. (CHIP)	10uF 35V	チ ッ プ ケ ミ コ ン	412428	02
* C710	<b>WR</b> 974000	POLYESTER FILM CAPACITOR	0.33uF 50V J	ポ リ エ ス テ ル コ ン	064930	
* C711	<b>WR</b> 974000	POLYESTER FILM CAPACITOR	0.33uF 50V J	ポ リ エ ス テ ル コ ン	064930	
C714	<b>WJ</b> 592200	CERAMIC CAPACITOR (CHIP)	0.1uF 25V K	チ ッ プ セ ラ コ ン	374404	01
C715	<b>WJ</b> 592200	CERAMIC CAPACITOR (CHIP)	0.1uF 25V K	チ ッ プ セ ラ コ ン	374404	01
C716	<b>AA</b> X6273R	CERAMIC CAPACITOR (CHIP)	0.01uF 50V K	チ ッ プ セ ラ コ ン	368353	
C801	<b>AA</b> X6297R	ELECTROLYTIC CAP. (CHIP)	47uF 25V	チ ッ プ ケ ミ コ ン	412426	
C802	<b>AA</b> X6297R	ELECTROLYTIC CAP. (CHIP)	47uF 25V	チ ッ プ ケ ミ コ ン	412426	
C804	<b>AA</b> X6296R	CERAMIC CAPACITOR (CHIP)	27pF 50V J	チ ッ プ セ ラ コ ン	368358	
* C805	<b>WR</b> 973900	POLYESTER FILM CAPACITOR	0.12uF 50V	ポ リ エ ス テ ル コ ン	064911	
* C806	<b>WR</b> 973900	POLYESTER FILM CAPACITOR	0.12uF 50V	ポ リ エ ス テ ル コ ン	064911	
C807	<b>WJ</b> 592200	CERAMIC CAPACITOR (CHIP)	0.1uF 25V K	チ ッ プ セ ラ コ ン	374404	01
C808	<b>WJ</b> 592200	CERAMIC CAPACITOR (CHIP)	0.1uF 25V K	チ ッ プ セ ラ コ ン	374404	01
C809	<b>AA</b> X6299R	ELECTROLYTIC CAP. (CHIP)	10uF 35V	チ ッ プ ケ ミ コ ン	412428	02
* C810	<b>WR</b> 974000	POLYESTER FILM CAPACITOR	0.33uF 50V J	ポ リ エ ス テ ル コ ン	064930	
* C811	<b>WR</b> 974000	POLYESTER FILM CAPACITOR	0.33uF 50V J	ポ リ エ ス テ ル コ ン	064930	
C812	<b>AA</b> X6299R	ELECTROLYTIC CAP. (CHIP)	10uF 35V	チ ッ プ ケ ミ コ ン	412428	02
C813	<b>AA</b> X6297R	ELECTROLYTIC CAP. (CHIP)	47uF 25V	チ ッ プ ケ ミ コ ン	412426	
C816	<b>AA</b> X6273R	CERAMIC CAPACITOR (CHIP)	0.01uF 50V K	チ ッ プ セ ラ コ ン	368353	
CN101	--	CONNECTOR BASE POST	40P 54132-4097	コ ネ ク タ ー ベ ー ス ポ ス ト	456881 (WR96350)	
CN102	--	CONNECTOR BASE POST	12P B12B-ZR-SM4-TF	コ ネ ク タ ー ベ ー ス ポ ス ト	484441 (WR96230)	
CN103	--	CONNECTOR BASE POST	12P B12B-ZR-SM4-R-TF	コ ネ ク タ ー ベ ー ス ポ ス ト	484949 (WR96250)	
CN104	--	CONNECTOR BASE POST	12P S12B-PH-SM4-TB	コ ネ ク タ ー ベ ー ス ポ ス ト	081751 (WR96150)	
CN105	--	CONNECTOR BASE POST	12P S12B-PH-SM4-R-TB	コ ネ ク タ ー ベ ー ス ポ ス ト	485379 (WR96210)	
CN106	--	CONNECTOR BASE POST	3P B3B-ZR-SM4-TF	コ ネ ク タ ー ベ ー ス ポ ス ト	044944 (WR96220)	
D101	<b>AA</b> X6401R	LED RED	SEL6210R D L F	L E D 赤	CH A MUTE	411467
* D102	<b>WT</b> 886100	LED GREEN	SEL6410E D L F	L E D 緑	CH A SIGNAL	412429
D103	<b>AA</b> X6401R	LED RED	SEL6210R D L F	L E D 赤	CH A PROTECT	411467
D104	<b>AA</b> X6401R	LED RED	SEL6210R D L F	L E D 赤	CH A CLIP	411467
D105	<b>WJ</b> 598200	LED ORANGE	SEL6910A D L F	L E D 橙	CH A/B BRIDGE	446160
D106	<b>WJ</b> 598200	LED ORANGE	SEL6910A D L F	L E D 橙	CH A/B PARA	446160
D201	<b>AA</b> X6401R	LED RED	SEL6210R D L F	L E D 赤	CH B MUTE	411467

\* : New Parts

RANK: Japan only

## FRONT

REF NO.	PART NO.	DESCRIPTION	部	品	名	REMARKS	QTY	RANK			
* D202	WT886100	LED GREEN	SEL6410E D LF	L	E	D	緑	CH B SIGNAL	412429		
D203	AAX6401R	LED RED	SEL6210R D LF	L	E	D	赤	CH B PROTECT	411467		
D204	AAX6401R	LED RED	SEL6210R D LF	L	E	D	赤	CH B CLIP	411467		
D301	AAX6401R	LED RED	SEL6210R D LF	L	E	D	赤	CH C MUTE	411467		
* D302	WT886100	LED GREEN	SEL6410E D LF	L	E	D	緑	CH C SIGNAL	412429		
D303	AAX6401R	LED RED	SEL6210R D LF	L	E	D	赤	CH C PROTECT	411467		
D304	AAX6401R	LED RED	SEL6210R D LF	L	E	D	赤	CH C CLIP	411467		
D305	WJ598200	LED ORANGE	SEL6910A D LF	L	E	D	橙	CH C/D BRIDGE	446160	03	
D306	WJ598200	LED ORANGE	SEL6910A D LF	L	E	D	橙	CH C/D PARA	446160	03	
D401	AAX6401R	LED RED	SEL6210R D LF	L	E	D	赤	CH D MUTE	411467		
* D402	WT886100	LED GREEN	SEL6410E D LF	L	E	D	緑	CH D SIGNAL	412429		
D403	AAX6401R	LED RED	SEL6210R D LF	L	E	D	赤	CH D PROTECT	411467		
D404	AAX6401R	LED RED	SEL6210R D LF	L	E	D	赤	CH D CLIP	411467		
D501	AAX6401R	LED RED	SEL6210R D LF	L	E	D	赤	CH E MUTE	411467		
* D502	WT886100	LED GREEN	SEL6410E D LF	L	E	D	緑	CH E SIGNAL	412429		
D503	AAX6401R	LED RED	SEL6210R D LF	L	E	D	赤	CH E PROTECT	411467		
D504	AAX6401R	LED RED	SEL6210R D LF	L	E	D	赤	CH E CLIP	411467		
D505	WJ598200	LED ORANGE	SEL6910A D LF	L	E	D	橙	CH E/F BRIDGE	446160	03	
D506	WJ598200	LED ORANGE	SEL6910A D LF	L	E	D	橙	CH E/F PARA	446160	03	
D601	AAX6401R	LED RED	SEL6210R D LF	L	E	D	赤	CH F MUTE	411467		
* D602	WT886100	LED GREEN	SEL6410E D LF	L	E	D	緑	CH F SIGNAL	412429		
D603	AAX6401R	LED RED	SEL6210R D LF	L	E	D	赤	CH F PROTECT	411467		
D604	AAX6401R	LED RED	SEL6210R D LF	L	E	D	赤	CH F CLIP	411467		
D701	AAX6401R	LED RED	SEL6210R D LF	L	E	D	赤	CH G MUTE	411467		
* D702	WT886100	LED GREEN	SEL6410E D LF	L	E	D	緑	CH G SIGNAL	412429		
D703	AAX6401R	LED RED	SEL6210R D LF	L	E	D	赤	CH G PROTECT	411467		
D704	AAX6401R	LED RED	SEL6210R D LF	L	E	D	赤	CH G CLIP	411467		
D705	WJ598200	LED ORANGE	SEL6910A D LF	L	E	D	橙	CH G/H BRIDGE	446160	03	
D706	WJ598200	LED ORANGE	SEL6910A D LF	L	E	D	橙	CH G/H PARA	446160	03	
D801	AAX6401R	LED RED	SEL6210R D LF	L	E	D	赤	CH H MUTE	411467		
* D802	WT886100	LED GREEN	SEL6410E D LF	L	E	D	緑	CH H SIGNAL	412429		
D803	AAX6401R	LED RED	SEL6210R D LF	L	E	D	赤	CH H PROTECT	411467		
D804	AAX6401R	LED RED	SEL6210R D LF	L	E	D	赤	CH H CLIP	411467		
EP100	XX698880	LUG TERMINAL	MET37-0001	ラ	グ	端	子		075878	02	
IC101	AAX6275R	IC	NJM2068M-D TE1	I			C	OP AMP	070170	04	
IC102	AAX6275R	IC	NJM2068M-D TE1	I			C	OP AMP	070170	04	
* IC103	YA884A00	IC	NJU4066BV(TE1)	I			C	ANALOG SWITCH	484456		
IC202	AAX6275R	IC	NJM2068M-D TE1	I			C	OP AMP	070170	04	
* IC203	YA884A00	IC	NJU4066BV(TE1)	I			C	ANALOG SWITCH	484456		
IC301	AAX6275R	IC	NJM2068M-D TE1	I			C	OP AMP	070170	04	
IC302	AAX6275R	IC	NJM2068M-D TE1	I			C	OP AMP	070170	04	
* IC303	YA884A00	IC	NJU4066BV(TE1)	I			C	ANALOG SWITCH	484456		
IC402	AAX6275R	IC	NJM2068M-D TE1	I			C	OP AMP	070170	04	
* IC403	YA884A00	IC	NJU4066BV(TE1)	I			C	ANALOG SWITCH	484456		
IC501	AAX6275R	IC	NJM2068M-D TE1	I			C	OP AMP	070170	04	
IC502	AAX6275R	IC	NJM2068M-D TE1	I			C	OP AMP	070170	04	
* IC503	YA884A00	IC	NJU4066BV(TE1)	I			C	ANALOG SWITCH	484456		
IC602	AAX6275R	IC	NJM2068M-D TE1	I			C	OP AMP	070170	04	
* IC603	YA884A00	IC	NJU4066BV(TE1)	I			C	ANALOG SWITCH	484456		
IC701	AAX6275R	IC	NJM2068M-D TE1	I			C	OP AMP	070170	04	
IC702	AAX6275R	IC	NJM2068M-D TE1	I			C	OP AMP	070170	04	
* IC703	YA884A00	IC	NJU4066BV(TE1)	I			C	ANALOG SWITCH	484456		
IC802	AAX6275R	IC	NJM2068M-D TE1	I			C	OP AMP	070170	04	
* Q101	WR970400	TRANSISTOR	2SC5938A	ト	ラ	ン	ジ	ス	タ	484462	
* Q102	WR970400	TRANSISTOR	2SC5938A	ト	ラ	ン	ジ	ス	タ	484462	
* Q201	WR970400	TRANSISTOR	2SC5938A	ト	ラ	ン	ジ	ス	タ	484462	
* Q202	WR970400	TRANSISTOR	2SC5938A	ト	ラ	ン	ジ	ス	タ	484462	
* Q301	WR970400	TRANSISTOR	2SC5938A	ト	ラ	ン	ジ	ス	タ	484462	
* Q302	WR970400	TRANSISTOR	2SC5938A	ト	ラ	ン	ジ	ス	タ	484462	
* Q401	WR970400	TRANSISTOR	2SC5938A	ト	ラ	ン	ジ	ス	タ	484462	
* Q402	WR970400	TRANSISTOR	2SC5938A	ト	ラ	ン	ジ	ス	タ	484462	
* Q501	WR970400	TRANSISTOR	2SC5938A	ト	ラ	ン	ジ	ス	タ	484462	
* Q502	WR970400	TRANSISTOR	2SC5938A	ト	ラ	ン	ジ	ス	タ	484462	
* Q601	WR970400	TRANSISTOR	2SC5938A	ト	ラ	ン	ジ	ス	タ	484462	
* Q602	WR970400	TRANSISTOR	2SC5938A	ト	ラ	ン	ジ	ス	タ	484462	
* Q701	WR970400	TRANSISTOR	2SC5938A	ト	ラ	ン	ジ	ス	タ	484462	
* Q702	WR970400	TRANSISTOR	2SC5938A	ト	ラ	ン	ジ	ス	タ	484462	
* Q801	WR970400	TRANSISTOR	2SC5938A	ト	ラ	ン	ジ	ス	タ	484462	
* Q802	WR970400	TRANSISTOR	2SC5938A	ト	ラ	ン	ジ	ス	タ	484462	
R101	AAX6288R	CARBON RESISTOR (CHIP)	10K J	チ	ッ	ブ	抵	抗	067497	03	

\*: New Parts

RANK: Japan only

FRONT

REF NO.	PART NO.	DESCRIPTION	部	品	名	REMARKS	QTY	RANK		
R103	AA X6310R	CARBON RESISTOR (CHIP)	1.8K J	チ	ッ	ブ	抵	抗	067514	
R104	AA X6310R	CARBON RESISTOR (CHIP)	1.8K J	チ	ッ	ブ	抵	抗	067514	
R105	AA X6380R	CARBON RESISTOR (CHIP)	8.2K J	チ	ッ	ブ	抵	抗	067562	
R106	AA X6288R	CARBON RESISTOR (CHIP)	10K J	チ	ッ	ブ	抵	抗	067497	03
* R107	WR950800	CARBON RESISTOR (CHIP)	470K 1/10W J	チ	ッ	ブ	抵	抗	067547	
* R108	WR958400	CARBON RESISTOR (CHIP)	9.1K 1/10W J	チ	ッ	ブ	抵	抗	490819	
R109	AA X6315R	CARBON RESISTOR (CHIP)	10 J	チ	ッ	ブ	抵	抗	067492	01
R110	AA X6278R	CARBON RESISTOR (CHIP)	33K J	チ	ッ	ブ	抵	抗	067532	
-112	AA X6278R	CARBON RESISTOR (CHIP)	33K J	チ	ッ	ブ	抵	抗	067532	
R113	AA X6280R	CARBON RESISTOR (CHIP)	47K J	チ	ッ	ブ	抵	抗	067546	01
R114	AA X6278R	CARBON RESISTOR (CHIP)	33K J	チ	ッ	ブ	抵	抗	067532	
-116	AA X6278R	CARBON RESISTOR (CHIP)	33K J	チ	ッ	ブ	抵	抗	067532	
R117	AA X6280R	CARBON RESISTOR (CHIP)	47K J	チ	ッ	ブ	抵	抗	067546	01
-119	AA X6280R	CARBON RESISTOR (CHIP)	47K J	チ	ッ	ブ	抵	抗	067546	01
R120	AA X6317R	CARBON RESISTOR (CHIP)	560 J	チ	ッ	ブ	抵	抗	067551	
R121	AA X6310R	CARBON RESISTOR (CHIP)	1.8K J	チ	ッ	ブ	抵	抗	067514	
R123	AA X6310R	CARBON RESISTOR (CHIP)	1.8K J	チ	ッ	ブ	抵	抗	067514	
R124	AA X6310R	CARBON RESISTOR (CHIP)	1.8K J	チ	ッ	ブ	抵	抗	067514	
R129	AA X6288R	CARBON RESISTOR (CHIP)	10K J	チ	ッ	ブ	抵	抗	067497	03
R135	AA X6288R	CARBON RESISTOR (CHIP)	10K J	チ	ッ	ブ	抵	抗	067497	03
R138	AA X6315R	CARBON RESISTOR (CHIP)	10 J	チ	ッ	ブ	抵	抗	067492	01
R139	AA X6292R	CARBON RESISTOR (CHIP)	100K J	チ	ッ	ブ	抵	抗	067499	
R140	AA X6288R	CARBON RESISTOR (CHIP)	10K J	チ	ッ	ブ	抵	抗	067497	03
R141	AA X6278R	CARBON RESISTOR (CHIP)	33K J	チ	ッ	ブ	抵	抗	067532	
R142	AA X6406R	CARBON RESISTOR (CHIP)	27K J	チ	ッ	ブ	抵	抗	067527	
R143	AA X6315R	CARBON RESISTOR (CHIP)	10 J	チ	ッ	ブ	抵	抗	067492	01
R144	AA X6292R	CARBON RESISTOR (CHIP)	100K J	チ	ッ	ブ	抵	抗	067499	
R145	AA X6288R	CARBON RESISTOR (CHIP)	10K J	チ	ッ	ブ	抵	抗	067497	03
R161	AA X6310R	CARBON RESISTOR (CHIP)	1.8K J	チ	ッ	ブ	抵	抗	067514	
R163	AA X6310R	CARBON RESISTOR (CHIP)	1.8K J	チ	ッ	ブ	抵	抗	067514	
R164	AA X6310R	CARBON RESISTOR (CHIP)	1.8K J	チ	ッ	ブ	抵	抗	067514	
R165	WJ599900	CARBON RESISTOR (CHIP)	820 J	チ	ッ	ブ	抵	抗	067561	01
R166	AA X6310R	CARBON RESISTOR (CHIP)	1.8K J	チ	ッ	ブ	抵	抗	067514	
-168	AA X6310R	CARBON RESISTOR (CHIP)	1.8K J	チ	ッ	ブ	抵	抗	067514	
R201	AA X6288R	CARBON RESISTOR (CHIP)	10K J	チ	ッ	ブ	抵	抗	067497	03
R203	AA X6310R	CARBON RESISTOR (CHIP)	1.8K J	チ	ッ	ブ	抵	抗	067514	
R204	AA X6310R	CARBON RESISTOR (CHIP)	1.8K J	チ	ッ	ブ	抵	抗	067514	
R205	AA X6380R	CARBON RESISTOR (CHIP)	8.2K J	チ	ッ	ブ	抵	抗	067562	
R206	AA X6288R	CARBON RESISTOR (CHIP)	10K J	チ	ッ	ブ	抵	抗	067497	03
* R207	WR950800	CARBON RESISTOR (CHIP)	470K 1/10W J	チ	ッ	ブ	抵	抗	067547	
* R208	WR958400	CARBON RESISTOR (CHIP)	9.1K 1/10W J	チ	ッ	ブ	抵	抗	490819	
R209	AA X6315R	CARBON RESISTOR (CHIP)	10 J	チ	ッ	ブ	抵	抗	067492	01
R210	AA X6278R	CARBON RESISTOR (CHIP)	33K J	チ	ッ	ブ	抵	抗	067532	
-212	AA X6278R	CARBON RESISTOR (CHIP)	33K J	チ	ッ	ブ	抵	抗	067532	
R214	AA X6278R	CARBON RESISTOR (CHIP)	33K J	チ	ッ	ブ	抵	抗	067532	
-216	AA X6278R	CARBON RESISTOR (CHIP)	33K J	チ	ッ	ブ	抵	抗	067532	
R219	AA X6280R	CARBON RESISTOR (CHIP)	47K J	チ	ッ	ブ	抵	抗	067546	01
R220	AA X6317R	CARBON RESISTOR (CHIP)	560 J	チ	ッ	ブ	抵	抗	067551	
R221	AA X6310R	CARBON RESISTOR (CHIP)	1.8K J	チ	ッ	ブ	抵	抗	067514	
R222	AA X6310R	CARBON RESISTOR (CHIP)	1.8K J	チ	ッ	ブ	抵	抗	067514	
R227	AA X6288R	CARBON RESISTOR (CHIP)	10K J	チ	ッ	ブ	抵	抗	067497	03
R229	AA X6288R	CARBON RESISTOR (CHIP)	10K J	チ	ッ	ブ	抵	抗	067497	03
R231	AA X6288R	CARBON RESISTOR (CHIP)	10K J	チ	ッ	ブ	抵	抗	067497	03
R235	AA X6288R	CARBON RESISTOR (CHIP)	10K J	チ	ッ	ブ	抵	抗	067497	03
R238	AA X6315R	CARBON RESISTOR (CHIP)	10 J	チ	ッ	ブ	抵	抗	067492	01
R239	AA X6292R	CARBON RESISTOR (CHIP)	100K J	チ	ッ	ブ	抵	抗	067499	
R240	AA X6288R	CARBON RESISTOR (CHIP)	10K J	チ	ッ	ブ	抵	抗	067497	03
R241	AA X6278R	CARBON RESISTOR (CHIP)	33K J	チ	ッ	ブ	抵	抗	067532	
R242	AA X6406R	CARBON RESISTOR (CHIP)	27K J	チ	ッ	ブ	抵	抗	067527	
R243	AA X6315R	CARBON RESISTOR (CHIP)	10 J	チ	ッ	ブ	抵	抗	067492	01
R244	AA X6292R	CARBON RESISTOR (CHIP)	100K J	チ	ッ	ブ	抵	抗	067499	
R245	AA X6288R	CARBON RESISTOR (CHIP)	10K J	チ	ッ	ブ	抵	抗	067497	03
R261	AA X6310R	CARBON RESISTOR (CHIP)	1.8K J	チ	ッ	ブ	抵	抗	067514	
R301	AA X6288R	CARBON RESISTOR (CHIP)	10K J	チ	ッ	ブ	抵	抗	067497	03
R303	AA X6310R	CARBON RESISTOR (CHIP)	1.8K J	チ	ッ	ブ	抵	抗	067514	
R304	AA X6310R	CARBON RESISTOR (CHIP)	1.8K J	チ	ッ	ブ	抵	抗	067514	
R305	AA X6380R	CARBON RESISTOR (CHIP)	8.2K J	チ	ッ	ブ	抵	抗	067562	
R306	AA X6288R	CARBON RESISTOR (CHIP)	10K J	チ	ッ	ブ	抵	抗	067497	03
* R307	WR950800	CARBON RESISTOR (CHIP)	470K 1/10W J	チ	ッ	ブ	抵	抗	067547	
* R308	WR958400	CARBON RESISTOR (CHIP)	9.1K 1/10W J	チ	ッ	ブ	抵	抗	490819	

\* : New Parts RANK: Japan only

## FRONT

REF NO.	PART NO.	DESCRIPTION	部	品	名	REMARKS	QTY	RANK		
R309	AA6315R	CARBON RESISTOR (CHIP)	10 J	チ	ッ	ブ	抵	抗	067492	01
R310	AA6278R	CARBON RESISTOR (CHIP)	33K J	チ	ッ	ブ	抵	抗	067532	
-312	AA6278R	CARBON RESISTOR (CHIP)	33K J	チ	ッ	ブ	抵	抗	067532	
R314	AA6278R	CARBON RESISTOR (CHIP)	33K J	チ	ッ	ブ	抵	抗	067532	
-316	AA6278R	CARBON RESISTOR (CHIP)	33K J	チ	ッ	ブ	抵	抗	067532	
R319	AA6280R	CARBON RESISTOR (CHIP)	47K J	チ	ッ	ブ	抵	抗	067546	01
R320	AA6317R	CARBON RESISTOR (CHIP)	560 J	チ	ッ	ブ	抵	抗	067551	
R321	AA6310R	CARBON RESISTOR (CHIP)	1.8K J	チ	ッ	ブ	抵	抗	067514	
-324	AA6310R	CARBON RESISTOR (CHIP)	1.8K J	チ	ッ	ブ	抵	抗	067514	
R327	AA6288R	CARBON RESISTOR (CHIP)	10K J	チ	ッ	ブ	抵	抗	067497	03
R329	AA6288R	CARBON RESISTOR (CHIP)	10K J	チ	ッ	ブ	抵	抗	067497	03
R331	AA6288R	CARBON RESISTOR (CHIP)	10K J	チ	ッ	ブ	抵	抗	067497	03
R335	AA6288R	CARBON RESISTOR (CHIP)	10K J	チ	ッ	ブ	抵	抗	067497	03
R338	AA6315R	CARBON RESISTOR (CHIP)	10 J	チ	ッ	ブ	抵	抗	067492	01
R339	AA6292R	CARBON RESISTOR (CHIP)	100K J	チ	ッ	ブ	抵	抗	067499	
R340	AA6288R	CARBON RESISTOR (CHIP)	10K J	チ	ッ	ブ	抵	抗	067497	03
R341	AA6278R	CARBON RESISTOR (CHIP)	33K J	チ	ッ	ブ	抵	抗	067532	
R342	AA6406R	CARBON RESISTOR (CHIP)	27K J	チ	ッ	ブ	抵	抗	067527	
R343	AA6315R	CARBON RESISTOR (CHIP)	10 J	チ	ッ	ブ	抵	抗	067492	01
R344	AA6292R	CARBON RESISTOR (CHIP)	100K J	チ	ッ	ブ	抵	抗	067499	
R345	AA6288R	CARBON RESISTOR (CHIP)	10K J	チ	ッ	ブ	抵	抗	067497	03
R361	AA6310R	CARBON RESISTOR (CHIP)	1.8K J	チ	ッ	ブ	抵	抗	067514	
R363	AA6310R	CARBON RESISTOR (CHIP)	1.8K J	チ	ッ	ブ	抵	抗	067514	
R364	AA6310R	CARBON RESISTOR (CHIP)	1.8K J	チ	ッ	ブ	抵	抗	067514	
R401	AA6288R	CARBON RESISTOR (CHIP)	10K J	チ	ッ	ブ	抵	抗	067497	03
R403	AA6310R	CARBON RESISTOR (CHIP)	1.8K J	チ	ッ	ブ	抵	抗	067514	
R404	AA6310R	CARBON RESISTOR (CHIP)	1.8K J	チ	ッ	ブ	抵	抗	067514	
R405	AA6380R	CARBON RESISTOR (CHIP)	8.2K J	チ	ッ	ブ	抵	抗	067562	
R406	AA6288R	CARBON RESISTOR (CHIP)	10K J	チ	ッ	ブ	抵	抗	067497	03
* R407	WR950800	CARBON RESISTOR (CHIP)	470K 1/10W J	チ	ッ	ブ	抵	抗	067547	
* R408	WR958400	CARBON RESISTOR (CHIP)	9.1K 1/10W J	チ	ッ	ブ	抵	抗	490819	
R409	AA6315R	CARBON RESISTOR (CHIP)	10 J	チ	ッ	ブ	抵	抗	067492	01
R410	AA6278R	CARBON RESISTOR (CHIP)	33K J	チ	ッ	ブ	抵	抗	067532	
-412	AA6278R	CARBON RESISTOR (CHIP)	33K J	チ	ッ	ブ	抵	抗	067532	
R414	AA6278R	CARBON RESISTOR (CHIP)	33K J	チ	ッ	ブ	抵	抗	067532	
-416	AA6278R	CARBON RESISTOR (CHIP)	33K J	チ	ッ	ブ	抵	抗	067532	
R419	AA6280R	CARBON RESISTOR (CHIP)	47K J	チ	ッ	ブ	抵	抗	067546	01
R420	AA6317R	CARBON RESISTOR (CHIP)	560 J	チ	ッ	ブ	抵	抗	067551	
R421	AA6310R	CARBON RESISTOR (CHIP)	1.8K J	チ	ッ	ブ	抵	抗	067514	
R422	AA6310R	CARBON RESISTOR (CHIP)	1.8K J	チ	ッ	ブ	抵	抗	067514	
R427	AA6288R	CARBON RESISTOR (CHIP)	10K J	チ	ッ	ブ	抵	抗	067497	03
R429	AA6288R	CARBON RESISTOR (CHIP)	10K J	チ	ッ	ブ	抵	抗	067497	03
R431	AA6288R	CARBON RESISTOR (CHIP)	10K J	チ	ッ	ブ	抵	抗	067497	03
R435	AA6288R	CARBON RESISTOR (CHIP)	10K J	チ	ッ	ブ	抵	抗	067497	03
R438	AA6315R	CARBON RESISTOR (CHIP)	10 J	チ	ッ	ブ	抵	抗	067492	01
R439	AA6292R	CARBON RESISTOR (CHIP)	100K J	チ	ッ	ブ	抵	抗	067499	
R440	AA6288R	CARBON RESISTOR (CHIP)	10K J	チ	ッ	ブ	抵	抗	067497	03
R441	AA6278R	CARBON RESISTOR (CHIP)	33K J	チ	ッ	ブ	抵	抗	067532	
R442	AA6406R	CARBON RESISTOR (CHIP)	27K J	チ	ッ	ブ	抵	抗	067527	
R443	AA6315R	CARBON RESISTOR (CHIP)	10 J	チ	ッ	ブ	抵	抗	067492	01
R444	AA6292R	CARBON RESISTOR (CHIP)	100K J	チ	ッ	ブ	抵	抗	067499	
R445	AA6288R	CARBON RESISTOR (CHIP)	10K J	チ	ッ	ブ	抵	抗	067497	03
R461	AA6310R	CARBON RESISTOR (CHIP)	1.8K J	チ	ッ	ブ	抵	抗	067514	
R501	AA6288R	CARBON RESISTOR (CHIP)	10K J	チ	ッ	ブ	抵	抗	067497	03
R503	AA6310R	CARBON RESISTOR (CHIP)	1.8K J	チ	ッ	ブ	抵	抗	067514	
R504	AA6310R	CARBON RESISTOR (CHIP)	1.8K J	チ	ッ	ブ	抵	抗	067514	
R505	AA6380R	CARBON RESISTOR (CHIP)	8.2K J	チ	ッ	ブ	抵	抗	067562	
R506	AA6288R	CARBON RESISTOR (CHIP)	10K J	チ	ッ	ブ	抵	抗	067497	03
* R507	WR950800	CARBON RESISTOR (CHIP)	470K 1/10W J	チ	ッ	ブ	抵	抗	067547	
* R508	WR958400	CARBON RESISTOR (CHIP)	9.1K 1/10W J	チ	ッ	ブ	抵	抗	490819	
R509	AA6315R	CARBON RESISTOR (CHIP)	10 J	チ	ッ	ブ	抵	抗	067492	01
R510	AA6278R	CARBON RESISTOR (CHIP)	33K J	チ	ッ	ブ	抵	抗	067532	
-512	AA6278R	CARBON RESISTOR (CHIP)	33K J	チ	ッ	ブ	抵	抗	067532	
R514	AA6278R	CARBON RESISTOR (CHIP)	33K J	チ	ッ	ブ	抵	抗	067532	
-516	AA6278R	CARBON RESISTOR (CHIP)	33K J	チ	ッ	ブ	抵	抗	067532	
R519	AA6280R	CARBON RESISTOR (CHIP)	47K J	チ	ッ	ブ	抵	抗	067546	01
R520	AA6317R	CARBON RESISTOR (CHIP)	560 J	チ	ッ	ブ	抵	抗	067551	
R521	AA6310R	CARBON RESISTOR (CHIP)	1.8K J	チ	ッ	ブ	抵	抗	067514	
-524	AA6310R	CARBON RESISTOR (CHIP)	1.8K J	チ	ッ	ブ	抵	抗	067514	
R527	AA6288R	CARBON RESISTOR (CHIP)	10K J	チ	ッ	ブ	抵	抗	067497	03

\*: New Parts

RANK: Japan only



**FRONT and INPUT POWER**

REF NO.	PART NO.	DESCRIPTION	部 品 名	REMARKS	QTY	RANK
R745	AA X6288R	CARBON RESISTOR (CHIP)	10K J	チ ッ プ 抵 抗	067497	03
R761	AA X6310R	CARBON RESISTOR (CHIP)	1.8K J	チ ッ プ 抵 抗	067514	
R763	AA X6310R	CARBON RESISTOR (CHIP)	1.8K J	チ ッ プ 抵 抗	067514	
R764	AA X6310R	CARBON RESISTOR (CHIP)	1.8K J	チ ッ プ 抵 抗	067514	
R801	AA X6288R	CARBON RESISTOR (CHIP)	10K J	チ ッ プ 抵 抗	067497	03
R803	AA X6310R	CARBON RESISTOR (CHIP)	1.8K J	チ ッ プ 抵 抗	067514	
R804	AA X6310R	CARBON RESISTOR (CHIP)	1.8K J	チ ッ プ 抵 抗	067514	
R805	AA X6380R	CARBON RESISTOR (CHIP)	8.2K J	チ ッ プ 抵 抗	067562	
R806	AA X6288R	CARBON RESISTOR (CHIP)	10K J	チ ッ プ 抵 抗	067497	03
* R807	WR950800	CARBON RESISTOR (CHIP)	470K 1/10W J	チ ッ プ 抵 抗	067547	
* R808	WR958400	CARBON RESISTOR (CHIP)	9.1K 1/10W J	チ ッ プ 抵 抗	490819	
R809	AA X6315R	CARBON RESISTOR (CHIP)	10 J	チ ッ プ 抵 抗	067492	01
R810	AA X6278R	CARBON RESISTOR (CHIP)	33K J	チ ッ プ 抵 抗	067532	
-812	AA X6278R	CARBON RESISTOR (CHIP)	33K J	チ ッ プ 抵 抗	067532	
R814	AA X6278R	CARBON RESISTOR (CHIP)	33K J	チ ッ プ 抵 抗	067532	
-816	AA X6278R	CARBON RESISTOR (CHIP)	33K J	チ ッ プ 抵 抗	067532	
R819	AA X6280R	CARBON RESISTOR (CHIP)	47K J	チ ッ プ 抵 抗	067546	01
R820	AA X6317R	CARBON RESISTOR (CHIP)	560 J	チ ッ プ 抵 抗	067551	
R821	AA X6310R	CARBON RESISTOR (CHIP)	1.8K J	チ ッ プ 抵 抗	067514	
R822	AA X6310R	CARBON RESISTOR (CHIP)	1.8K J	チ ッ プ 抵 抗	067514	
R827	AA X6288R	CARBON RESISTOR (CHIP)	10K J	チ ッ プ 抵 抗	067497	03
R829	AA X6288R	CARBON RESISTOR (CHIP)	10K J	チ ッ プ 抵 抗	067497	03
R831	AA X6288R	CARBON RESISTOR (CHIP)	10K J	チ ッ プ 抵 抗	067497	03
R835	AA X6288R	CARBON RESISTOR (CHIP)	10K J	チ ッ プ 抵 抗	067497	03
R838	AA X6315R	CARBON RESISTOR (CHIP)	10 J	チ ッ プ 抵 抗	067492	01
R839	AA X6292R	CARBON RESISTOR (CHIP)	100K J	チ ッ プ 抵 抗	067499	
R840	AA X6288R	CARBON RESISTOR (CHIP)	10K J	チ ッ プ 抵 抗	067497	03
R841	AA X6278R	CARBON RESISTOR (CHIP)	33K J	チ ッ プ 抵 抗	067532	
R842	AA X6406R	CARBON RESISTOR (CHIP)	27K J	チ ッ プ 抵 抗	067527	
R843	AA X6315R	CARBON RESISTOR (CHIP)	10 J	チ ッ プ 抵 抗	067492	01
R844	AA X6292R	CARBON RESISTOR (CHIP)	100K J	チ ッ プ 抵 抗	067499	
R845	AA X6288R	CARBON RESISTOR (CHIP)	10K J	チ ッ プ 抵 抗	067497	03
R861	AA X6310R	CARBON RESISTOR (CHIP)	1.8K J	チ ッ プ 抵 抗	067514	
S101	AA X6318R	PUSH SWITCH	PS-22E85-L5.2 LF	プ ッ シ ュ ス イ ッ チ	407770	03
S201	AA X6318R	PUSH SWITCH	PS-22E85-L5.2 LF	プ ッ シ ュ ス イ ッ チ	407770	03
S301	AA X6318R	PUSH SWITCH	PS-22E85-L5.2 LF	プ ッ シ ュ ス イ ッ チ	407770	03
S401	AA X6318R	PUSH SWITCH	PS-22E85-L5.2 LF	プ ッ シ ュ ス イ ッ チ	407770	03
S501	AA X6318R	PUSH SWITCH	PS-22E85-L5.2 LF	プ ッ シ ュ ス イ ッ チ	407770	03
S601	AA X6318R	PUSH SWITCH	PS-22E85-L5.2 LF	プ ッ シ ュ ス イ ッ チ	407770	03
S701	AA X6318R	PUSH SWITCH	PS-22E85-L5.2 LF	プ ッ シ ュ ス イ ッ チ	407770	03
S801	AA X6318R	PUSH SWITCH	PS-22E85-L5.2 LF	プ ッ シ ュ ス イ ッ チ	407770	03
* VR101	WS480600	ROTARY VARIABLE RESISTOR	B20.0K	ロ ー タ リ ー ヴ R	487925	
* VR201	WS480600	ROTARY VARIABLE RESISTOR	B20.0K	ロ ー タ リ ー ヴ R	487925	
* VR301	WS480600	ROTARY VARIABLE RESISTOR	B20.0K	ロ ー タ リ ー ヴ R	487925	
* VR401	WS480600	ROTARY VARIABLE RESISTOR	B20.0K	ロ ー タ リ ー ヴ R	487925	
* VR501	WS480600	ROTARY VARIABLE RESISTOR	B20.0K	ロ ー タ リ ー ヴ R	487925	
* VR601	WS480600	ROTARY VARIABLE RESISTOR	B20.0K	ロ ー タ リ ー ヴ R	487925	
* VR701	WS480600	ROTARY VARIABLE RESISTOR	B20.0K	ロ ー タ リ ー ヴ R	487925	
* VR801	WS480600	ROTARY VARIABLE RESISTOR	B20.0K	ロ ー タ リ ー ヴ R	487925	
	WR981700	CIRCUIT BOARD	INPUT POWER	INPUT POWERシート	498461	
* WP928400	HEATSINK	A1C7 A-2	ヒ ー ト シ ン ク		434646	3
* WS522100	PAN HEAD SCREW	M3x10	ナ ベ 小 ネ ジ		422409	3
△ * C971	WR974500	CAPACITOR	1.0uF 275V	規 格 認 定 コ ン デ ン サ	485441	
* C974	WR949800	ELECTROLYTIC CAPACITOR	220uF 25V	ケ ミ コ ン	433553	
△ * C975	WR974200	CAPACITOR	0.47uF 275V	規 格 認 定 コ ン デ ン サ	485439	
△ C976	WP111400	CERAMIC CAPACITOR	2200pF	セ ラ コ ン	471018	03
△ -978	WP111400	CERAMIC CAPACITOR	2200pF	セ ラ コ ン	471018	03
△ * C979	--	CAPACITOR	0.1uF 275V	規 格 認 定 コ ン デ ン サ	488698	
* C980	WR969800	ELECTROLYTIC CAPACITOR	47uF 400V	ケ ミ コ ン	484954	
* C981	WR959100	CERAMIC CAPACITOR (CHIP)	0.01uF 630V K	チ ッ プ 積 層 セ ラ コ ン	418068	
* C982	WR968600	ELECTROLYTIC CAPACITOR	10uF 50V	ケ ミ コ ン	474898	
* C983	WR958100	CERAMIC CAPACITOR (CHIP)	0.1uF 50V K	チ ッ プ 積 層 セ ラ コ ン	484941	
* C984	WR969400	ELECTROLYTIC CAPACITOR	47uF 35V	ケ ミ コ ン	484947	
* C985	WR974100	MYLAR CAPACITOR	0.1uF 50V K	マ イ ラ ー コ ン	065011	
△ C986	WP111400	CERAMIC CAPACITOR	2200pF	セ ラ コ ン	471018	03
* C987	WR969200	ELECTROLYTIC CAPACITOR	270uF 35V	ケ ミ コ ン	420757	
* -989	WR969200	ELECTROLYTIC CAPACITOR	270uF 35V	ケ ミ コ ン	420757	
* C990	WR969400	ELECTROLYTIC CAPACITOR	47uF 35V	ケ ミ コ ン	484947	
* C991	WR969400	ELECTROLYTIC CAPACITOR	47uF 35V	ケ ミ コ ン	484947	

\* : New Parts

RANK: Japan only

INPUT POWER

REF NO.	PART NO.	DESCRIPTION	部 品 名	REMARKS	QTY	RANK
* C992	WR969200	ELECTROLYTIC CAPACITOR	270uF 35V	ケ ミ コ ン	420757	
* C993	WR970000	ELECTROLYTIC CAPACITOR	10uF 10V	ケ ミ コ ン	488663	
* C994	WR958100	CERAMIC CAPACITOR (CHIP)	0.1uF 50V K	チ ッ プ 積 層 セ ラ コ ン	484941	
* C995	WR958100	CERAMIC CAPACITOR (CHIP)	0.1uF 50V K	チ ッ プ 積 層 セ ラ コ ン	484941	
* C997	WR958100	CERAMIC CAPACITOR (CHIP)	0.1uF 50V K	チ ッ プ 積 層 セ ラ コ ン	484941	
* C998	WR949800	ELECTROLYTIC CAPACITOR	220uF 25V	ケ ミ コ ン	433553	
* C999	WR949800	ELECTROLYTIC CAPACITOR	220uF 25V	ケ ミ コ ン	433553	
* C9A1	WR949800	ELECTROLYTIC CAPACITOR	220uF 25V	ケ ミ コ ン	433553	
* C9A2	WR958100	CERAMIC CAPACITOR (CHIP)	0.1uF 50V K	チ ッ プ 積 層 セ ラ コ ン	484941	
* C9A3	WR958100	CERAMIC CAPACITOR (CHIP)	0.1uF 50V K	チ ッ プ 積 層 セ ラ コ ン	484941	
* C9A4	WR958100	CERAMIC CAPACITOR (CHIP)	0.1uF 50V K	チ ッ プ 積 層 セ ラ コ ン	484941	
* C9A5	WR959100	CERAMIC CAPACITOR (CHIP)	0.01uF 630V K	チ ッ プ 積 層 セ ラ コ ン	418068	
* C9A6	WR959100	CERAMIC CAPACITOR (CHIP)	0.01uF 630V K	チ ッ プ 積 層 セ ラ コ ン	418068	
* C9A7	WR959100	CERAMIC CAPACITOR (CHIP)	0.01uF 630V K	チ ッ プ 積 層 セ ラ コ ン	418068	
* C9A8	WR958100	CERAMIC CAPACITOR (CHIP)	0.1uF 50V K	チ ッ プ 積 層 セ ラ コ ン	484941	
CN970	AAX10590	CONNECTOR BASE POST	2P B2P3-VH	コ ネ ク タ ー 2 P	081855	
* CN971	WR963000	CONNECTOR BASE POST	3P GPHA102-0302A156	コ ネ ク タ ー ベ ー ス ポ ス ト	484434	
-982	WR963000	CONNECTOR BASE POST	3P GPHA102-0302A156	コ ネ ク タ ー ベ ー ス ポ ス ト	484434	
CN983	AAX4246R	BASE POST	2P B2B-EH	コ ネ ク タ ー 2 P	081439	01
CN984	AAX4246R	BASE POST	2P B2B-EH	コ ネ ク タ ー 2 P	081439	01
* CN985	WR961100	CONNECTOR BASE POST	2P B02B-PH-K-S	コ ネ ク タ ー ベ ー ス ポ ス ト	081678	
* CN986	WR961200	CONNECTOR BASE POST	3P B03B-PH-K-S	コ ネ ク タ ー ベ ー ス ポ ス ト	081690	
* CN987	AAX10590	CONNECTOR BASE POST	2P B2P3-VH	コ ネ ク タ ー 2 P	081855	
* CN988	WR961100	CONNECTOR BASE POST	2P B02B-PH-K-S	コ ネ ク タ ー ベ ー ス ポ ス ト	081678	
CN989	AAX10590	CONNECTOR BASE POST	2P B2P3-VH	コ ネ ク タ ー 2 P	081855	
D971	AAX4255R	DIODE	1SS133	ダ イ オ ー ド	069460	01
* D972	WR972500	DIODE	DB106G	ダ イ オ ー ド	484968	
* D973	WR973600	ZENER DIODE	MTZJ15B	ツ ェ ナ ー ダ イ オ ー ド	069188	
* D974	WP914400	DIODE	SFR1T6 T	ダ イ オ ー ド	408519	
D975	XX698570	DIODE (CHIP)	1SS355 TE-17	ダ イ オ ー ド	069444	01
* D976	WR972300	DIODE	AL01Z	ダ イ オ ー ド	484966	
* D977	WR972300	DIODE	AL01Z	ダ イ オ ー ド	484966	
* D981	WR972300	DIODE	AL01Z	ダ イ オ ー ド	484966	
* D982	WR972300	DIODE	AL01Z	ダ イ オ ー ド	484966	
D983	AAX4255R	DIODE	1SS133	ダ イ オ ー ド	069460	01
D984	AAX4255R	DIODE	1SS133	ダ イ オ ー ド	069460	01
D985	WP043100	DIODE	SRT14A1 T LF	ダ イ オ ー ド	433550	02
D986	WP043100	DIODE	SRT14A1 T LF	ダ イ オ ー ド	433550	02
* D988	WR972700	DIODE	P4SMA250A-E3/61	ダ イ オ ー ド	488607	
* D989	WR972300	DIODE	AL01Z	ダ イ オ ー ド	484966	
* -992	WR972300	DIODE	AL01Z	ダ イ オ ー ド	484966	
D993	AAX6359R	ZENER DIODE	MTZJ18B	ツ ェ ナ ー ダ イ オ ー ド	069208	
EP971	XX698880	LUG TERMINAL	MET37-0001	ラ グ 端 子	075878	02
EP972	XX698880	LUG TERMINAL	MET37-0001	ラ グ 端 子	075878	02
△ F971	WR985800	FUSE	SST 250V 2A T	ヒ ュ ー ズ	433554	
△ F972	WT880900	FUSE	1.25A	ヒ ュ ー ズ	496575	
* IC971	YA883A00	IC	MIP2E4DMY	IC	454915	
IC972	AAX6364R	IC	KIA7815API-U/P	IC	407826	03
IC973	AAX6366R	IC	KIA7915PI-U/P	IC	407827	03
△ L971	WR984800	COIL	CNF35T030V	コ イ ル	488691	
△ L972	WR984900	COIL	CNF35T010V	コ イ ル	488692	
△ L973	WR984000	COIL	LF-4Z-E103	コ イ ル	433523	
* Q971	WR971300	TRANSISTOR	CPH3115	ト ラ ン ジ ス タ	489591	
Q972	AAX45980	TRANSISTOR (CHIP)	2SC2412K QRS T146	ト ラ ン ジ ス タ	068775	01
Q973	AAX45980	TRANSISTOR (CHIP)	2SC2412K QRS T146	ト ラ ン ジ ス タ	068775	01
* R971	WR973100	METAL OXIDE FILM RESISTOR	220K 2W J	酸 化 金 属 皮 膜 抵 抗	484975	
* R972	WT880800	METAL OXIDE FILM RESISTOR	220K 2W J	酸 化 金 属 皮 膜 抵 抗	496574	
R973	AAX6315R	CARBON RESISTOR (CHIP)	10 J	チ ッ プ 抵 抗	067492	01
* R974	WR951300	CARBON RESISTOR (CHIP)	22 1/10W J	チ ッ プ 抵 抗	067517	
R975	WJ600400	CARBON RESISTOR (CHIP)	6.8 J	チ ッ プ 抵 抗	444634	01
R976	WJ599600	CARBON RESISTOR (CHIP)	220 J	チ ッ プ 抵 抗	067518	01
R977	AAX6281R	CARBON RESISTOR (CHIP)	1K J	チ ッ プ 抵 抗	067495	01
* R978	WR951600	CARBON RESISTOR	2.2K 1/6W J	カ ー ボ ン 抵 抗	067155	
* R980	WR966300	METAL OXIDE FILM RESISTOR	27 1W J	酸 化 金 属 皮 膜 抵 抗	068104	
* R981	WR966400	METAL OXIDE FILM RESISTOR	4.7 1/2W J	酸 化 金 属 皮 膜 抵 抗	484972	
R982	AAX6281R	CARBON RESISTOR (CHIP)	1K J	チ ッ プ 抵 抗	067495	01
* R983	WR949900	CARBON RESISTOR (CHIP)	1.2K 1/8W J	チ ッ プ 抵 抗	067696	
R984	AAX6288R	CARBON RESISTOR (CHIP)	10K J	チ ッ プ 抵 抗	067497	03
R985	AAX6388R	CARBON RESISTOR (CHIP)	4.7K J	チ ッ プ 抵 抗	067545	
* R986	WR951800	CARBON RESISTOR	3.9K 1/6W J	カ ー ボ ン 抵 抗	067223	

\* : New Parts

RANK: Japan only

**INPUT POWER and LED and MOTHER A-D**

REF NO.	PART NO.	DESCRIPTION		部 品 名	REMARKS	QTY	RANK
* R987	WR951800	CARBON RESISTOR	3.9K 1/6W J	カ ー ボ ン 抵 抗		067223	
R988	AAx6379R	CARBON RESISTOR (CHIP)	22K J	チ ッ プ 抵 抗		067520	
* R989	WT880700	CARBON RESISTOR	68 1/2W J	カ ー ボ ン 抵 抗		496573	
R990	AAx6288R	CARBON RESISTOR (CHIP)	10K J	チ ッ プ 抵 抗		067497	03
* R9A1	WR959900	CARBON RESISTOR	2.2K 1/2W J	カ ー ボ ン 抵 抗		338937	
R9A2	WN843200	CARBON RESISTOR (CHIP)	2.2 J	チ ッ プ 抵 抗		067523	01
R9A3	WN843200	CARBON RESISTOR (CHIP)	2.2 J	チ ッ プ 抵 抗		067523	01
R9A4	WN843200	CARBON RESISTOR (CHIP)	2.2 J	チ ッ プ 抵 抗		067523	01
* R9A5	WR952000	CARBON RESISTOR	6.8K 1/6W J	カ ー ボ ン 抵 抗		067294	
* R9A6	WR952000	CARBON RESISTOR	6.8K 1/6W J	カ ー ボ ン 抵 抗		067294	
* R9A7	WR952000	CARBON RESISTOR	6.8K 1/6W J	カ ー ボ ン 抵 抗		067294	
* R9A8	WR951700	CARBON RESISTOR (CHIP)	0.0 1/8W J	チ ッ プ 抵 抗		067674	
* R9A9	WR949900	CARBON RESISTOR (CHIP)	1.2K 1/8W J	チ ッ プ 抵 抗		067696	
* RY971	WR976000	RELAY	DJ12D2-O(M)-Q	リ レ		480657	
△ * T971	WR984400	COIL	FT3048	コ イ ル		484958	
* T972	WR985400	COIL	FT3054	コ イ ル		490342	
* TH971	WR968300	THERMISTOR	SCK20200MIBY	サ ミ スタ		488664	
* TH972	WR968300	THERMISTOR	SCK20200MIBY	サ ミ スタ		488664	
* TH973	WR968400	THERMISTOR	SCK08201MIY	サ ミ スタ		490312	
	AAx96250	CIRCUIT BOARD	LED	L E D シ ー ト	498458-3(WR98320)		
	WS523800	LED SPACER	LH-5-3	L E D ス ペ ー サ	419569		
CN107	--	CONNECTOR BASE POST	3P B3B-ZR-SM4-TF	コ ネ ク タ ー ベ ー ス ポ ス ト	044944(WR96220)		
* D100	WT886100	LED GREEN	SEL6410E D LF	L E D 緑	POWER	412429	
R100	AAx6317R	CARBON RESISTOR (CHIP)	560 J	チ ッ プ 抵 抗		067551	
	AAx96230	CIRCUIT BOARD	MOTHER A-D	M O T H E R A - D シ ー ト	498458 (WR98320)		
* WR965900	CONNECTOR ASSEMBLY	VH 2P-A	束 線		490158		
C1101	AAx6299R	ELECTROLYTIC CAP. (CHIP)	10uF 35V	チ ッ プ ケ ミ コ ン		412428	02
C1102	AAx6299R	ELECTROLYTIC CAP. (CHIP)	10uF 35V	チ ッ プ ケ ミ コ ン		412428	02
C1103	AAx6297R	ELECTROLYTIC CAP. (CHIP)	47uF 25V	チ ッ プ ケ ミ コ ン		412426	
C1104	AAx6299R	ELECTROLYTIC CAP. (CHIP)	10uF 35V	チ ッ プ ケ ミ コ ン		412428	02
C1107	WJ592200	CERAMIC CAPACITOR (CHIP)	0.1uF 25V K	チ ッ プ セ ラ コ ン		374404	01
-1109	WJ592200	CERAMIC CAPACITOR (CHIP)	0.1uF 25V K	チ ッ プ セ ラ コ ン		374404	01
C1111	WJ590400	ELECTROLYTIC CAP. (CHIP)	100uF 16V	チ ッ プ ケ ミ コ ン		066076	03
C1112	AAx6273R	CERAMIC CAPACITOR (CHIP)	0.01uF 50V K	チ ッ プ セ ラ コ ン		368353	
C1113	AAx6273R	CERAMIC CAPACITOR (CHIP)	0.01uF 50V K	チ ッ プ セ ラ コ ン		368353	
C1114	WJ590400	ELECTROLYTIC CAP. (CHIP)	100uF 16V	チ ッ プ ケ ミ コ ン		066076	03
C1115	AAx6273R	CERAMIC CAPACITOR (CHIP)	0.01uF 50V K	チ ッ プ セ ラ コ ン		368353	
C1120	AAx6302R	CERAMIC CAPACITOR (CHIP)	1000pF K	チ ッ プ セ ラ コ ン		065501	
C1121	AAx6302R	CERAMIC CAPACITOR (CHIP)	1000pF K	チ ッ プ セ ラ コ ン		065501	
C1123	WJ592200	CERAMIC CAPACITOR (CHIP)	0.1uF 25V K	チ ッ プ セ ラ コ ン		374404	01
C1124	WJ592100	CERAMIC CAPACITOR (CHIP)	0.47uF K	チ ッ プ セ ラ コ ン		334335	03
C1125	WJ592200	CERAMIC CAPACITOR (CHIP)	0.1uF 25V K	チ ッ プ セ ラ コ ン		374404	01
-1128	WJ592200	CERAMIC CAPACITOR (CHIP)	0.1uF 25V K	チ ッ プ セ ラ コ ン		374404	01
C1200	WJ592200	CERAMIC CAPACITOR (CHIP)	0.1uF 25V K	チ ッ プ セ ラ コ ン		374404	01
C1201	AAx6299R	ELECTROLYTIC CAP. (CHIP)	10uF 35V	チ ッ プ ケ ミ コ ン		412428	02
C1202	AAx6299R	ELECTROLYTIC CAP. (CHIP)	10uF 35V	チ ッ プ ケ ミ コ ン		412428	02
C1203	AAx6297R	ELECTROLYTIC CAP. (CHIP)	47uF 25V	チ ッ プ ケ ミ コ ン		412426	
C1204	AAx6299R	ELECTROLYTIC CAP. (CHIP)	10uF 35V	チ ッ プ ケ ミ コ ン		412428	02
C1206	AAx6182R	CERAMIC CAPACITOR (CHIP)	10pF 50V J	チ ッ プ セ ラ コ ン		065472	
C1218	WJ592200	CERAMIC CAPACITOR (CHIP)	0.1uF 25V K	チ ッ プ セ ラ コ ン		374404	01
C1221	AAx6302R	CERAMIC CAPACITOR (CHIP)	1000pF K	チ ッ プ セ ラ コ ン		065501	
C1223	WJ592200	CERAMIC CAPACITOR (CHIP)	0.1uF 25V K	チ ッ プ セ ラ コ ン		374404	01
C1301	AAx6299R	ELECTROLYTIC CAP. (CHIP)	10uF 35V	チ ッ プ ケ ミ コ ン		412428	02
C1302	AAx6299R	ELECTROLYTIC CAP. (CHIP)	10uF 35V	チ ッ プ ケ ミ コ ン		412428	02
C1303	AAx6297R	ELECTROLYTIC CAP. (CHIP)	47uF 25V	チ ッ プ ケ ミ コ ン		412426	
C1304	AAx6299R	ELECTROLYTIC CAP. (CHIP)	10uF 35V	チ ッ プ ケ ミ コ ン		412428	02
C1306	AAx6182R	CERAMIC CAPACITOR (CHIP)	10pF 50V J	チ ッ プ セ ラ コ ン		065472	
C1307	WJ592200	CERAMIC CAPACITOR (CHIP)	0.1uF 25V K	チ ッ プ セ ラ コ ン		374404	01
-1309	WJ592200	CERAMIC CAPACITOR (CHIP)	0.1uF 25V K	チ ッ プ セ ラ コ ン		374404	01
C1311	WJ590400	ELECTROLYTIC CAP. (CHIP)	100uF 16V	チ ッ プ ケ ミ コ ン		066076	03
C1312	AAx6273R	CERAMIC CAPACITOR (CHIP)	0.01uF 50V K	チ ッ プ セ ラ コ ン		368353	
C1313	AAx6273R	CERAMIC CAPACITOR (CHIP)	0.01uF 50V K	チ ッ プ セ ラ コ ン		368353	
C1314	WJ590400	ELECTROLYTIC CAP. (CHIP)	100uF 16V	チ ッ プ ケ ミ コ ン		066076	03
C1315	AAx6273R	CERAMIC CAPACITOR (CHIP)	0.01uF 50V K	チ ッ プ セ ラ コ ン		368353	
C1318	WJ592200	CERAMIC CAPACITOR (CHIP)	0.1uF 25V K	チ ッ プ セ ラ コ ン		374404	01
C1320	AAx6302R	CERAMIC CAPACITOR (CHIP)	1000pF K	チ ッ プ セ ラ コ ン		065501	
C1321	AAx6302R	CERAMIC CAPACITOR (CHIP)	1000pF K	チ ッ プ セ ラ コ ン		065501	
C1323	WJ592200	CERAMIC CAPACITOR (CHIP)	0.1uF 25V K	チ ッ プ セ ラ コ ン		374404	01

\* : New Parts

RANK: Japan only



MOTHER A-D

REF NO.	PART NO.	DESCRIPTION	部 品 名	REMARKS	QTY	RANK
C1324	WJ592100	CERAMIC CAPACITOR (CHIP)	0.47uF K	チ ッ プ セ ラ コ ン	334335	03
C1400	WJ592200	CERAMIC CAPACITOR (CHIP)	0.1uF 25V K	チ ッ プ セ ラ コ ン	374404	01
C1401	AAx6299R	ELECTROLYTIC CAP. (CHIP)	10uF 35V	チ ッ プ ケ ミ コ ン	412428	02
C1402	AAx6299R	ELECTROLYTIC CAP. (CHIP)	10uF 35V	チ ッ プ ケ ミ コ ン	412428	02
C1403	AAx6297R	ELECTROLYTIC CAP. (CHIP)	47uF 25V	チ ッ プ ケ ミ コ ン	412426	
C1404	AAx6299R	ELECTROLYTIC CAP. (CHIP)	10uF 35V	チ ッ プ ケ ミ コ ン	412428	02
C1406	AAx6182R	CERAMIC CAPACITOR (CHIP)	10pF 50V J	チ ッ プ セ ラ コ ン	065472	
C1418	WJ592200	CERAMIC CAPACITOR (CHIP)	0.1uF 25V K	チ ッ プ セ ラ コ ン	374404	01
C1421	AAx6302R	CERAMIC CAPACITOR (CHIP)	1000pF K	チ ッ プ セ ラ コ ン	065501	
C1423	WJ592200	CERAMIC CAPACITOR (CHIP)	0.1uF 25V K	チ ッ プ セ ラ コ ン	374404	01
CN1101	WJ593800	CONNECTOR BASE POST	11P 53290-1180 LF	コ ネ ク タ 1 1 P	444918	07
CN1102	WJ593800	CONNECTOR BASE POST	11P 53290-1180 LF	コ ネ ク タ 1 1 P	444918	07
* CN1103	WR963100	CONNECTOR BASE POST	11P GPHA102-1102A156 LF	コ ネ ク タ ー ベ ー ス ポ ス ト	484435	
* CN1104	WR962700	CONNECTOR BASE POST	8P-VH	コ ネ ク タ ー ベ ー ス ポ ス ト	338865	
* CN1105	WR961300	CONNECTOR BASE POST	2P B02B-PH-SM4-TB	コ ネ ク タ ー ベ ー ス ポ ス ト	081686	
CN1106	--	CONNECTOR BASE POST	12P 54132-4097	コ ネ ク タ ー ベ ー ス ポ ス ト	484441 (WR96230)	
CN1107	--	CONNECTOR BASE POST	10P B10B-PH-SM4-TB	コ ネ ク タ ー ベ ー ス ポ ス ト	484439 (WR96170)	
CN1201	WJ593800	CONNECTOR BASE POST	11P 53290-1180 LF	コ ネ ク タ 1 1 P	444918	07
CN1202	WJ593800	CONNECTOR BASE POST	11P 53290-1180 LF	コ ネ ク タ 1 1 P	444918	07
CN1301	WJ593800	CONNECTOR BASE POST	11P 53290-1180 LF	コ ネ ク タ 1 1 P	444918	07
CN1302	WJ593800	CONNECTOR BASE POST	11P 53290-1180 LF	コ ネ ク タ 1 1 P	444918	07
* CN1303	WR963100	CONNECTOR BASE POST	11P GPHA102-1102A156 LF	コ ネ ク タ ー ベ ー ス ポ ス ト	484435	
CN1401	WJ593800	CONNECTOR BASE POST	11P 53290-1180 LF	コ ネ ク タ 1 1 P	444918	07
CN1402	WJ593800	CONNECTOR BASE POST	11P 53290-1180 LF	コ ネ ク タ 1 1 P	444918	07
* D1101	WT869300	ZENER DIODE	UDZS6.2B 6.2V	ツ ェ ナ ー ダ イ オ ー ド	044872	
D1102	XX698570	DIODE (CHIP)	1SS355 TE-17	ダ イ オ ー ド	069444	01
-1106	XX698570	DIODE (CHIP)	1SS355 TE-17	ダ イ オ ー ド	069444	01
* D1109	WP899000	ZENER DIODE	UDZS5.6B TE-17	ツ ェ ナ ー ダ イ オ ー ド	049039	
* D1201	WT869300	ZENER DIODE	UDZS6.2B 6.2V	ツ ェ ナ ー ダ イ オ ー ド	044872	
D1206	XX698570	DIODE (CHIP)	1SS355 TE-17	ダ イ オ ー ド	069444	01
* D1209	WP899000	ZENER DIODE	UDZS5.6B TE-17	ツ ェ ナ ー ダ イ オ ー ド	049039	
* D1301	WT869300	ZENER DIODE	UDZS6.2B 6.2V	ツ ェ ナ ー ダ イ オ ー ド	044872	
D1302	XX698570	DIODE (CHIP)	1SS355 TE-17	ダ イ オ ー ド	069444	01
-1306	XX698570	DIODE (CHIP)	1SS355 TE-17	ダ イ オ ー ド	069444	01
* D1309	WP899000	ZENER DIODE	UDZS5.6B TE-17	ツ ェ ナ ー ダ イ オ ー ド	049039	
* D1401	WT869300	ZENER DIODE	UDZS6.2B 6.2V	ツ ェ ナ ー ダ イ オ ー ド	044872	
D1406	XX698570	DIODE (CHIP)	1SS355 TE-17	ダ イ オ ー ド	069444	01
* D1409	WP899000	ZENER DIODE	UDZS5.6B TE-17	ツ ェ ナ ー ダ イ オ ー ド	049039	
EP1100	XX698880	LUG TERMINAL	MET37-0001	ラ グ 端 子	075878	02
EP1101	XX698880	LUG TERMINAL	MET37-0001	ラ グ 端 子	075878	02
IC1101	AAx6275R	IC	NJM2068M-D TE1	OP AMP	070170	04
IC1301	AAx6275R	IC	NJM2068M-D TE1	OP AMP	070170	04
Q1101	AAx6277R	TRANSISTOR (CHIP)	KRA102S-RTK/P T LF	ト ラ ン ジ ス タ	402267	01
* Q1102	WR970400	TRANSISTOR	2SC5938A	ト ラ ン ジ ス タ	484462	
Q1103	AAx45980	TRANSISTOR (CHIP)	2SC2412K QRS T146	ト ラ ン ジ ス タ	068775	01
-1105	AAx45980	TRANSISTOR (CHIP)	2SC2412K QRS T146	ト ラ ン ジ ス タ	068775	01
Q1106	AAx6371R	TRANSISTOR (CHIP)	2SA1037AK QRS T146	ト ラ ン ジ ス タ	068590	01
Q1107	AAx45980	TRANSISTOR (CHIP)	2SC2412K QRS T146	ト ラ ン ジ ス タ	068775	01
Q1108	AAx6371R	TRANSISTOR (CHIP)	2SA1037AK QRS T146	ト ラ ン ジ ス タ	068590	01
Q1109	AAx6371R	TRANSISTOR (CHIP)	2SA1037AK QRS T146	ト ラ ン ジ ス タ	068590	01
Q1110	AAx45980	TRANSISTOR (CHIP)	2SC2412K QRS T146	ト ラ ン ジ ス タ	068775	01
Q1111	WJ613900	DIGITAL TRANSISTOR	DTC144EKA T146	デ ジ タ ル ト ラ ン ジ ス タ	069311	01
Q1112	AAx45980	TRANSISTOR (CHIP)	2SC2412K QRS T146	ト ラ ン ジ ス タ	068775	01
Q1113	AAx6277R	TRANSISTOR (CHIP)	KRA102S-RTK/P T LF	ト ラ ン ジ ス タ	402267	01
* Q1114	WR970400	TRANSISTOR	2SC5938A	ト ラ ン ジ ス タ	484462	
Q1115	AAx6277R	TRANSISTOR (CHIP)	KRA102S-RTK/P T LF	ト ラ ン ジ ス タ	402267	01
* Q1116	WR970400	TRANSISTOR	2SC5938A	ト ラ ン ジ ス タ	484462	
Q1117	AAx6371R	TRANSISTOR (CHIP)	2SA1037AK QRS T146	ト ラ ン ジ ス タ	068590	01
Q1118	AAx6371R	TRANSISTOR (CHIP)	2SA1037AK QRS T146	ト ラ ン ジ ス タ	068590	01
* Q1119	WR970400	TRANSISTOR	2SC5938A	ト ラ ン ジ ス タ	484462	
Q1120	WJ613900	DIGITAL TRANSISTOR	DTC144EKA T146	デ ジ タ ル ト ラ ン ジ ス タ	069311	01
Q1121	WJ613900	DIGITAL TRANSISTOR	DTC144EKA T146	デ ジ タ ル ト ラ ン ジ ス タ	069311	01
Q1201	AAx6277R	TRANSISTOR (CHIP)	KRA102S-RTK/P T LF	ト ラ ン ジ ス タ	402267	01
* Q1202	WR970400	TRANSISTOR	2SC5938A	ト ラ ン ジ ス タ	484462	
Q1303	AAx45980	TRANSISTOR (CHIP)	2SC2412K QRS T146	ト ラ ン ジ ス タ	068775	01
-1305	AAx45980	TRANSISTOR (CHIP)	2SC2412K QRS T146	ト ラ ン ジ ス タ	068775	01
Q1306	AAx6371R	TRANSISTOR (CHIP)	2SA1037AK QRS T146	ト ラ ン ジ ス タ	068590	01
Q1307	AAx45980	TRANSISTOR (CHIP)	2SC2412K QRS T146	ト ラ ン ジ ス タ	068775	01
Q1308	AAx6371R	TRANSISTOR (CHIP)	2SA1037AK QRS T146	ト ラ ン ジ ス タ	068590	01
Q1309	AAx6371R	TRANSISTOR (CHIP)	2SA1037AK QRS T146	ト ラ ン ジ ス タ	068590	01

\* : New Parts

RANK: Japan only

**MOTHER A-D**

REF NO.	PART NO.	DESCRIPTION	部 品 名	REMARKS	QTY	RANK
Q1310	<b>AA</b> X45980	TRANSISTOR (CHIP)	2SC2412K QRS T146	ト ラ ン ジ ス タ	068775	01
Q1311	<b>W</b> J613900	DIGITAL TRANSISTOR	DTC144EKA T146	デ ジ タ ル ト ラ ン ジ ス タ	069311	01
Q1312	<b>AA</b> X45980	TRANSISTOR (CHIP)	2SC2412K QRS T146	ト ラ ン ジ ス タ	068775	01
Q1313	<b>AA</b> X6277R	TRANSISTOR (CHIP)	KRA102S-RTK/P T LF	ト ラ ン ジ ス タ	402267	01
* Q1314	<b>W</b> R970400	TRANSISTOR	2SC5938A	ト ラ ン ジ ス タ	484462	
Q1315	<b>AA</b> X6277R	TRANSISTOR (CHIP)	KRA102S-RTK/P T LF	ト ラ ン ジ ス タ	402267	01
* Q1316	<b>W</b> R970400	TRANSISTOR	2SC5938A	ト ラ ン ジ ス タ	484462	
Q1318	<b>AA</b> X6371R	TRANSISTOR (CHIP)	2SA1037AK QRS T146	ト ラ ン ジ ス タ	068590	01
* Q1319	<b>W</b> R970400	TRANSISTOR	2SC5938A	ト ラ ン ジ ス タ	484462	
Q1320	<b>W</b> J613900	DIGITAL TRANSISTOR	DTC144EKA T146	デ ジ タ ル ト ラ ン ジ ス タ	069311	01
Q1321	<b>W</b> J613900	DIGITAL TRANSISTOR	DTC144EKA T146	デ ジ タ ル ト ラ ン ジ ス タ	069311	01
Q1401	<b>AA</b> X6277R	TRANSISTOR (CHIP)	KRA102S-RTK/P T LF	ト ラ ン ジ ス タ	402267	01
* Q1402	<b>W</b> R970400	TRANSISTOR	2SC5938A	ト ラ ン ジ ス タ	484462	
Q1420	<b>W</b> J613900	DIGITAL TRANSISTOR	DTC144EKA T146	デ ジ タ ル ト ラ ン ジ ス タ	069311	01
R1101	<b>AA</b> X6279R	CARBON RESISTOR (CHIP)	1.5K J	チ ッ プ 抵 抗	067508	
R1102	<b>AA</b> X6286R	CARBON RESISTOR (CHIP)	150K J	チ ッ プ 抵 抗	067511	
R1103	<b>AA</b> X6286R	CARBON RESISTOR (CHIP)	150K J	チ ッ プ 抵 抗	067511	
R1104	<b>W</b> P034700	CARBON RESISTOR (CHIP)	43KΩJ	チ ッ プ 抵 抗	396548	01
R1105	<b>AA</b> X6281R	CARBON RESISTOR (CHIP)	1K J	チ ッ プ 抵 抗	067495	01
R1107	<b>AA</b> X6282R	CARBON RESISTOR (CHIP)	270K J	チ ッ プ 抵 抗	067528	
* R1108	<b>W</b> P899200	CARBON RESISTOR (CHIP)	39K J	チ ッ プ 抵 抗	067540	
* R1109	<b>W</b> T869600	CARBON RESISTOR (CHIP)	10K 1/16W F	チ ッ プ 抵 抗	067496	
* R1110	<b>W</b> Q026300	CARBON RESISTOR (CHIP)	33K 1/10W F	チ ッ プ 抵 抗	418796	
* R1111	<b>W</b> T870300	CARBON RESISTOR (CHIP)	27K 1/16W F	チ ッ プ 抵 抗	500383	
R1112	<b>W</b> J599500	CARBON RESISTOR (CHIP)	100 J	チ ッ プ 抵 抗	067493	01
R1113	<b>AA</b> X6281R	CARBON RESISTOR (CHIP)	1K J	チ ッ プ 抵 抗	067495	01
R1114	<b>AA</b> X6288R	CARBON RESISTOR (CHIP)	10K J	チ ッ プ 抵 抗	067497	03
R1115	<b>AA</b> X6288R	CARBON RESISTOR (CHIP)	10K J	チ ッ プ 抵 抗	067497	03
R1116	<b>AA</b> X6292R	CARBON RESISTOR (CHIP)	100K J	チ ッ プ 抵 抗	067499	
R1117	<b>W</b> J606800	CARBON RESISTOR (CHIP)	82K J	チ ッ プ 抵 抗	067564	01
R1118	<b>AA</b> X6382R	CARBON RESISTOR (CHIP)	56K J	チ ッ プ 抵 抗	067554	
R1119	<b>AA</b> X6288R	CARBON RESISTOR (CHIP)	10K J	チ ッ プ 抵 抗	067497	03
R1120	<b>AA</b> X6281R	CARBON RESISTOR (CHIP)	1K J	チ ッ プ 抵 抗	067495	01
R1121	<b>AA</b> X6288R	CARBON RESISTOR (CHIP)	10K J	チ ッ プ 抵 抗	067497	03
R1122	<b>AA</b> X6388R	CARBON RESISTOR (CHIP)	4.7K J	チ ッ プ 抵 抗	067545	
R1123	<b>AA</b> X6288R	CARBON RESISTOR (CHIP)	10K J	チ ッ プ 抵 抗	067497	03
R1124	<b>AA</b> X6288R	CARBON RESISTOR (CHIP)	10K J	チ ッ プ 抵 抗	067497	03
R1125	<b>AA</b> X6280R	CARBON RESISTOR (CHIP)	47K J	チ ッ プ 抵 抗	067546	01
R1126	<b>W</b> J606500	CARBON RESISTOR (CHIP)	2.7K J	チ ッ プ 抵 抗	067526	01
R1127	<b>AA</b> X6280R	CARBON RESISTOR (CHIP)	47K J	チ ッ プ 抵 抗	067546	01
R1128	<b>AA</b> X6388R	CARBON RESISTOR (CHIP)	4.7K J	チ ッ プ 抵 抗	067545	
R1129	<b>AA</b> X6288R	CARBON RESISTOR (CHIP)	10K J	チ ッ プ 抵 抗	067497	03
R1130	<b>W</b> J606600	CARBON RESISTOR (CHIP)	330K J	チ ッ プ 抵 抗	067533	01
R1131	<b>AA</b> X6292R	CARBON RESISTOR (CHIP)	100K J	チ ッ プ 抵 抗	067499	
R1132	<b>AA</b> X6315R	CARBON RESISTOR (CHIP)	10 J	チ ッ プ 抵 抗	067492	01
R1133	<b>AA</b> X6292R	CARBON RESISTOR (CHIP)	100K J	チ ッ プ 抵 抗	067499	
R1134	<b>AA</b> X6292R	CARBON RESISTOR (CHIP)	100K J	チ ッ プ 抵 抗	067499	
R1135	<b>AA</b> X6288R	CARBON RESISTOR (CHIP)	10K J	チ ッ プ 抵 抗	067497	03
* R1137	<b>W</b> R958700	CARBON RESISTOR	8.2K 1/10W F	カ ー ボ ン 抵 抗	053568	
* R1138	<b>W</b> Q026300	CARBON RESISTOR (CHIP)	33K 1/10W F	チ ッ プ 抵 抗	418796	
* R1140	<b>W</b> R958700	CARBON RESISTOR	8.2K 1/10W F	カ ー ボ ン 抵 抗	053568	
* R1141	<b>W</b> Q026300	CARBON RESISTOR (CHIP)	33K 1/10W F	チ ッ プ 抵 抗	418796	
R1142	<b>AA</b> X6280R	CARBON RESISTOR (CHIP)	47K J	チ ッ プ 抵 抗	067546	01
-1145	<b>AA</b> X6280R	CARBON RESISTOR (CHIP)	47K J	チ ッ プ 抵 抗	067546	01
R1146	<b>AA</b> X6388R	CARBON RESISTOR (CHIP)	4.7K J	チ ッ プ 抵 抗	067545	
R1147	<b>AA</b> X6280R	CARBON RESISTOR (CHIP)	47K J	チ ッ プ 抵 抗	067546	01
-1150	<b>AA</b> X6280R	CARBON RESISTOR (CHIP)	47K J	チ ッ プ 抵 抗	067546	01
R1151	<b>W</b> J599900	CARBON RESISTOR (CHIP)	820 J	チ ッ プ 抵 抗	067561	01
R1152	<b>W</b> J599900	CARBON RESISTOR (CHIP)	820 J	チ ッ プ 抵 抗	067561	01
R1153	<b>AA</b> X6291R	CARBON RESISTOR (CHIP)	15K J	チ ッ プ 抵 抗	067509	
R1154	<b>AA</b> X6310R	CARBON RESISTOR (CHIP)	1.8K J	チ ッ プ 抵 抗	067514	
* R1155	<b>W</b> T870000	CARBON RESISTOR (CHIP)	130K 1/16W J	チ ッ プ 抵 抗	391438	
* R1156	<b>W</b> T869800	CARBON RESISTOR (CHIP)	390K 1/16W F	チ ッ プ 抵 抗	067541	
R1157	<b>W</b> J599900	CARBON RESISTOR (CHIP)	820 J	チ ッ プ 抵 抗	067561	01
R1158	<b>W</b> J599900	CARBON RESISTOR (CHIP)	820 J	チ ッ プ 抵 抗	067561	01
R1160	<b>AA</b> X6288R	CARBON RESISTOR (CHIP)	10K J	チ ッ プ 抵 抗	067497	03
R1201	<b>AA</b> X6279R	CARBON RESISTOR (CHIP)	1.5K J	チ ッ プ 抵 抗	067508	
R1202	<b>AA</b> X6286R	CARBON RESISTOR (CHIP)	150K J	チ ッ プ 抵 抗	067511	
R1203	<b>AA</b> X6286R	CARBON RESISTOR (CHIP)	150K J	チ ッ プ 抵 抗	067511	
R1204	<b>W</b> P034700	CARBON RESISTOR (CHIP)	43KΩJ	チ ッ プ 抵 抗	396548	01

\* : New Parts

RANK: Japan only

**MOTHER A-D**

REF NO.	PART NO.	DESCRIPTION	部	品	名	REMARKS	QTY	RANK		
R1205	AA6281R	CARBON RESISTOR (CHIP)	1K J	チ	ツ	ブ	抵	抗	067495	01
R1207	AA6282R	CARBON RESISTOR (CHIP)	270K J	チ	ツ	ブ	抵	抗	067528	
R1208	WP899200	CARBON RESISTOR (CHIP)	39k J	チ	ツ	ブ	抵	抗	067540	
R1209	WT869600	CARBON RESISTOR (CHIP)	10K 1/16W F	チ	ツ	ブ	抵	抗	067496	
R1210	WQ026300	CARBON RESISTOR (CHIP)	33K 1/10W F	チ	ツ	ブ	抵	抗	418796	
R1211	WT870300	CARBON RESISTOR (CHIP)	27K 1/16W F	チ	ツ	ブ	抵	抗	500383	
R1212	WJ599500	CARBON RESISTOR (CHIP)	100 J	チ	ツ	ブ	抵	抗	067493	01
R1253	AA6291R	CARBON RESISTOR (CHIP)	15K J	チ	ツ	ブ	抵	抗	067509	
R1254	AA6310R	CARBON RESISTOR (CHIP)	1.8K J	チ	ツ	ブ	抵	抗	067514	
R1260	AA6288R	CARBON RESISTOR (CHIP)	10K J	チ	ツ	ブ	抵	抗	067497	03
R1301	AA6279R	CARBON RESISTOR (CHIP)	1.5K J	チ	ツ	ブ	抵	抗	067508	
R1302	AA6286R	CARBON RESISTOR (CHIP)	150K J	チ	ツ	ブ	抵	抗	067511	
R1303	AA6286R	CARBON RESISTOR (CHIP)	150K J	チ	ツ	ブ	抵	抗	067511	
R1304	WP034700	CARBON RESISTOR (CHIP)	43KΩJ	チ	ツ	ブ	抵	抗	396548	01
R1305	AA6281R	CARBON RESISTOR (CHIP)	1K J	チ	ツ	ブ	抵	抗	067495	01
R1307	AA6282R	CARBON RESISTOR (CHIP)	270K J	チ	ツ	ブ	抵	抗	067528	
R1308	WP899200	CARBON RESISTOR (CHIP)	39k J	チ	ツ	ブ	抵	抗	067540	
R1309	WT869600	CARBON RESISTOR (CHIP)	10K 1/16W F	チ	ツ	ブ	抵	抗	067496	
R1310	WQ026300	CARBON RESISTOR (CHIP)	33K 1/10W F	チ	ツ	ブ	抵	抗	418796	
R1311	WT870300	CARBON RESISTOR (CHIP)	27K 1/16W F	チ	ツ	ブ	抵	抗	500383	
R1312	WJ599500	CARBON RESISTOR (CHIP)	100 J	チ	ツ	ブ	抵	抗	067493	01
R1313	AA6281R	CARBON RESISTOR (CHIP)	1K J	チ	ツ	ブ	抵	抗	067495	01
R1314	AA6288R	CARBON RESISTOR (CHIP)	10K J	チ	ツ	ブ	抵	抗	067497	03
R1315	AA6288R	CARBON RESISTOR (CHIP)	10K J	チ	ツ	ブ	抵	抗	067497	03
R1316	AA6292R	CARBON RESISTOR (CHIP)	100K J	チ	ツ	ブ	抵	抗	067499	
R1317	WJ606800	CARBON RESISTOR (CHIP)	82K J	チ	ツ	ブ	抵	抗	067564	01
R1318	AA6382R	CARBON RESISTOR (CHIP)	56K J	チ	ツ	ブ	抵	抗	067554	
R1319	AA6288R	CARBON RESISTOR (CHIP)	10K J	チ	ツ	ブ	抵	抗	067497	03
R1320	AA6281R	CARBON RESISTOR (CHIP)	1K J	チ	ツ	ブ	抵	抗	067495	01
R1321	AA6288R	CARBON RESISTOR (CHIP)	10K J	チ	ツ	ブ	抵	抗	067497	03
R1322	AA6388R	CARBON RESISTOR (CHIP)	4.7K J	チ	ツ	ブ	抵	抗	067545	
R1323	AA6288R	CARBON RESISTOR (CHIP)	10K J	チ	ツ	ブ	抵	抗	067497	03
R1324	AA6288R	CARBON RESISTOR (CHIP)	10K J	チ	ツ	ブ	抵	抗	067497	03
R1325	AA6280R	CARBON RESISTOR (CHIP)	47K J	チ	ツ	ブ	抵	抗	067546	01
R1326	WJ606500	CARBON RESISTOR (CHIP)	2.7K J	チ	ツ	ブ	抵	抗	067526	01
R1327	AA6280R	CARBON RESISTOR (CHIP)	47K J	チ	ツ	ブ	抵	抗	067546	01
R1328	AA6388R	CARBON RESISTOR (CHIP)	4.7K J	チ	ツ	ブ	抵	抗	067545	
R1329	AA6288R	CARBON RESISTOR (CHIP)	10K J	チ	ツ	ブ	抵	抗	067497	03
R1330	WJ606600	CARBON RESISTOR (CHIP)	330K J	チ	ツ	ブ	抵	抗	067533	01
R1331	AA6292R	CARBON RESISTOR (CHIP)	100K J	チ	ツ	ブ	抵	抗	067499	
R1332	AA6315R	CARBON RESISTOR (CHIP)	10 J	チ	ツ	ブ	抵	抗	067492	01
R1333	AA6292R	CARBON RESISTOR (CHIP)	100K J	チ	ツ	ブ	抵	抗	067499	
R1334	AA6292R	CARBON RESISTOR (CHIP)	100K J	チ	ツ	ブ	抵	抗	067499	
R1335	AA6288R	CARBON RESISTOR (CHIP)	10K J	チ	ツ	ブ	抵	抗	067497	03
R1337	WR958700	CARBON RESISTOR	8.2K 1/10W F	カ	-	ポ	ン	抵	053568	
R1338	WQ026300	CARBON RESISTOR (CHIP)	33K 1/10W F	チ	ツ	ブ	抵	抗	418796	
R1340	WR958700	CARBON RESISTOR	8.2K 1/10W F	カ	-	ポ	ン	抵	053568	
R1341	WQ026300	CARBON RESISTOR (CHIP)	33K 1/10W F	チ	ツ	ブ	抵	抗	418796	
R1347	AA6280R	CARBON RESISTOR (CHIP)	47K J	チ	ツ	ブ	抵	抗	067546	01
-1350	AA6280R	CARBON RESISTOR (CHIP)	47K J	チ	ツ	ブ	抵	抗	067546	01
R1351	WJ599900	CARBON RESISTOR (CHIP)	820 J	チ	ツ	ブ	抵	抗	067561	01
R1352	WJ599900	CARBON RESISTOR (CHIP)	820 J	チ	ツ	ブ	抵	抗	067561	01
R1353	AA6291R	CARBON RESISTOR (CHIP)	15K J	チ	ツ	ブ	抵	抗	067509	
R1354	AA6310R	CARBON RESISTOR (CHIP)	1.8K J	チ	ツ	ブ	抵	抗	067514	
R1355	WT870000	CARBON RESISTOR (CHIP)	130K 1/16W J	チ	ツ	ブ	抵	抗	391438	
R1356	WT869800	CARBON RESISTOR (CHIP)	390K 1/16W F	チ	ツ	ブ	抵	抗	067541	
R1357	WJ599900	CARBON RESISTOR (CHIP)	820 J	チ	ツ	ブ	抵	抗	067561	01
R1358	WJ599900	CARBON RESISTOR (CHIP)	820 J	チ	ツ	ブ	抵	抗	067561	01
R1360	AA6288R	CARBON RESISTOR (CHIP)	10K J	チ	ツ	ブ	抵	抗	067497	03
R1401	AA6279R	CARBON RESISTOR (CHIP)	1.5K J	チ	ツ	ブ	抵	抗	067508	
R1402	AA6286R	CARBON RESISTOR (CHIP)	150K J	チ	ツ	ブ	抵	抗	067511	
R1403	AA6286R	CARBON RESISTOR (CHIP)	150K J	チ	ツ	ブ	抵	抗	067511	
R1404	WP034700	CARBON RESISTOR (CHIP)	43KΩJ	チ	ツ	ブ	抵	抗	396548	01
R1405	AA6281R	CARBON RESISTOR (CHIP)	1K J	チ	ツ	ブ	抵	抗	067495	01
R1407	AA6282R	CARBON RESISTOR (CHIP)	270K J	チ	ツ	ブ	抵	抗	067528	
R1408	WP899200	CARBON RESISTOR (CHIP)	39k J	チ	ツ	ブ	抵	抗	067540	
R1409	WT869600	CARBON RESISTOR (CHIP)	10K 1/16W F	チ	ツ	ブ	抵	抗	067496	
R1410	WQ026300	CARBON RESISTOR (CHIP)	33K 1/10W F	チ	ツ	ブ	抵	抗	418796	
R1411	WT870300	CARBON RESISTOR (CHIP)	27K 1/16W F	チ	ツ	ブ	抵	抗	500383	
R1412	WJ599500	CARBON RESISTOR (CHIP)	100 J	チ	ツ	ブ	抵	抗	067493	01

\* : New Parts

RANK: Japan only

## MOTHER A-D and MOTHER E-H

REF NO.	PART NO.	DESCRIPTION	部 品 名	REMARKS	QTY	RANK
R1453	<b>AA</b> X6291R	CARBON RESISTOR (CHIP)	15K J	チ ッ プ 抵 抗	067509	
R1454	<b>AA</b> X6310R	CARBON RESISTOR (CHIP)	1.8K J	チ ッ プ 抵 抗	067514	
R1460	<b>AA</b> X6288R	CARBON RESISTOR (CHIP)	10K J	チ ッ プ 抵 抗	067497	03
* T1101	<b>WR</b> 984100	COIL	OD2215-701B	コ イ ル	493953	
* T1301	<b>WR</b> 984100	COIL	OD2215-701B	コ イ ル	493953	
TR1101	<b>AA</b> X6404R	FET	2SK246 BL (-F)	F E T	407813	03
TR1201	<b>AA</b> X6404R	FET	2SK246 BL (-F)	F E T	407813	03
TR1301	<b>AA</b> X6404R	FET	2SK246 BL (-F)	F E T	407813	03
TR1401	<b>AA</b> X6404R	FET	2SK246 BL (-F)	F E T	407813	03
* C1	<b>WR</b> 986100	CIRCUIT BOARD	MOTHER E-H	MOTHER E-Hシート	498459	
* C2	<b>WR</b> 966000	CONNECTOR ASSEMBLY	VH 2P-B	束 線	490159	
C1	<b>WJ</b> 592200	CERAMIC CAPACITOR (CHIP)	0.1uF 25V K	チ ッ プ セ ラ コ ン	374404	01
C2	<b>WJ</b> 592200	CERAMIC CAPACITOR (CHIP)	0.1uF 25V K	チ ッ プ セ ラ コ ン	374404	01
C3	<b>AA</b> X6297R	ELECTROLYTIC CAP. (CHIP)	47uF 25V	チ ッ プ ケ ミ コ ン	412426	
C4	<b>WM</b> 929300	CERAMIC CAPACITOR (CHIP)	220pF 50V J	チ ッ プ セ ラ コ ン	065484	01
C5	<b>WM</b> 929300	CERAMIC CAPACITOR (CHIP)	220pF 50V J	チ ッ プ セ ラ コ ン	065484	01
C6	<b>AA</b> X6273R	CERAMIC CAPACITOR (CHIP)	0.01uF 50V K	チ ッ プ セ ラ コ ン	368353	
C1501	<b>AA</b> X6299R	ELECTROLYTIC CAP. (CHIP)	10uF 35V	チ ッ プ ケ ミ コ ン	412428	02
C1502	<b>AA</b> X6299R	ELECTROLYTIC CAP. (CHIP)	10uF 35V	チ ッ プ ケ ミ コ ン	412428	02
C1503	<b>AA</b> X6297R	ELECTROLYTIC CAP. (CHIP)	47uF 25V	チ ッ プ ケ ミ コ ン	412426	
C1504	<b>AA</b> X6299R	ELECTROLYTIC CAP. (CHIP)	10uF 35V	チ ッ プ ケ ミ コ ン	412428	02
C1506	<b>AA</b> X6182R	CERAMIC CAPACITOR (CHIP)	10pF 50V J	チ ッ プ セ ラ コ ン	065472	
C1507	<b>WJ</b> 592200	CERAMIC CAPACITOR (CHIP)	0.1uF 25V K	チ ッ プ セ ラ コ ン	374404	01
-1509	<b>WJ</b> 592200	CERAMIC CAPACITOR (CHIP)	0.1uF 25V K	チ ッ プ セ ラ コ ン	374404	01
C1511	<b>WJ</b> 590400	ELECTROLYTIC CAP. (CHIP)	100uF 16V	チ ッ プ ケ ミ コ ン	066076	03
C1512	<b>AA</b> X6273R	CERAMIC CAPACITOR (CHIP)	0.01uF 50V K	チ ッ プ セ ラ コ ン	368353	
C1513	<b>AA</b> X6273R	CERAMIC CAPACITOR (CHIP)	0.01uF 50V K	チ ッ プ セ ラ コ ン	368353	
C1514	<b>WJ</b> 590400	ELECTROLYTIC CAP. (CHIP)	100uF 16V	チ ッ プ ケ ミ コ ン	066076	03
C1515	<b>AA</b> X6273R	CERAMIC CAPACITOR (CHIP)	0.01uF 50V K	チ ッ プ セ ラ コ ン	368353	
C1516	<b>WJ</b> 592200	CERAMIC CAPACITOR (CHIP)	0.1uF 25V K	チ ッ プ セ ラ コ ン	374404	01
-1518	<b>WJ</b> 592200	CERAMIC CAPACITOR (CHIP)	0.1uF 25V K	チ ッ プ セ ラ コ ン	374404	01
C1519	<b>AA</b> X6302R	CERAMIC CAPACITOR (CHIP)	1000pF K	チ ッ プ セ ラ コ ン	065501	
-1521	<b>AA</b> X6302R	CERAMIC CAPACITOR (CHIP)	1000pF K	チ ッ プ セ ラ コ ン	065501	
C1523	<b>WJ</b> 592200	CERAMIC CAPACITOR (CHIP)	0.1uF 25V K	チ ッ プ セ ラ コ ン	374404	01
C1524	<b>WJ</b> 592100	CERAMIC CAPACITOR (CHIP)	0.47uF K	チ ッ プ セ ラ コ ン	334335	03
C1525	<b>WJ</b> 592200	CERAMIC CAPACITOR (CHIP)	0.1uF 25V K	チ ッ プ セ ラ コ ン	374404	01
-1528	<b>WJ</b> 592200	CERAMIC CAPACITOR (CHIP)	0.1uF 25V K	チ ッ プ セ ラ コ ン	374404	01
C1600	<b>WJ</b> 592200	CERAMIC CAPACITOR (CHIP)	0.1uF 25V K	チ ッ プ セ ラ コ ン	374404	01
C1601	<b>AA</b> X6299R	ELECTROLYTIC CAP. (CHIP)	10uF 35V	チ ッ プ ケ ミ コ ン	412428	02
C1602	<b>AA</b> X6299R	ELECTROLYTIC CAP. (CHIP)	10uF 35V	チ ッ プ ケ ミ コ ン	412428	02
C1603	<b>AA</b> X6297R	ELECTROLYTIC CAP. (CHIP)	47uF 25V	チ ッ プ ケ ミ コ ン	412426	
C1604	<b>AA</b> X6299R	ELECTROLYTIC CAP. (CHIP)	10uF 35V	チ ッ プ ケ ミ コ ン	412428	02
C1606	<b>AA</b> X6182R	CERAMIC CAPACITOR (CHIP)	10pF 50V J	チ ッ プ セ ラ コ ン	065472	
C1618	<b>WJ</b> 592200	CERAMIC CAPACITOR (CHIP)	0.1uF 25V K	チ ッ プ セ ラ コ ン	374404	01
C1621	<b>AA</b> X6302R	CERAMIC CAPACITOR (CHIP)	1000pF K	チ ッ プ セ ラ コ ン	065501	
C1623	<b>WJ</b> 592200	CERAMIC CAPACITOR (CHIP)	0.1uF 25V K	チ ッ プ セ ラ コ ン	374404	01
C1701	<b>AA</b> X6299R	ELECTROLYTIC CAP. (CHIP)	10uF 35V	チ ッ プ ケ ミ コ ン	412428	02
C1702	<b>AA</b> X6299R	ELECTROLYTIC CAP. (CHIP)	10uF 35V	チ ッ プ ケ ミ コ ン	412428	02
C1703	<b>AA</b> X6297R	ELECTROLYTIC CAP. (CHIP)	47uF 25V	チ ッ プ ケ ミ コ ン	412426	
C1704	<b>AA</b> X6299R	ELECTROLYTIC CAP. (CHIP)	10uF 35V	チ ッ プ ケ ミ コ ン	412428	02
C1706	<b>AA</b> X6182R	CERAMIC CAPACITOR (CHIP)	10pF 50V J	チ ッ プ セ ラ コ ン	065472	
C1707	<b>WJ</b> 592200	CERAMIC CAPACITOR (CHIP)	0.1uF 25V K	チ ッ プ セ ラ コ ン	374404	01
-1709	<b>WJ</b> 592200	CERAMIC CAPACITOR (CHIP)	0.1uF 25V K	チ ッ プ セ ラ コ ン	374404	01
C1711	<b>WJ</b> 590400	ELECTROLYTIC CAP. (CHIP)	100uF 16V	チ ッ プ ケ ミ コ ン	066076	03
C1712	<b>AA</b> X6273R	CERAMIC CAPACITOR (CHIP)	0.01uF 50V K	チ ッ プ セ ラ コ ン	368353	
C1713	<b>AA</b> X6273R	CERAMIC CAPACITOR (CHIP)	0.01uF 50V K	チ ッ プ セ ラ コ ン	368353	
C1714	<b>WJ</b> 590400	ELECTROLYTIC CAP. (CHIP)	100uF 16V	チ ッ プ ケ ミ コ ン	066076	03
C1715	<b>AA</b> X6273R	CERAMIC CAPACITOR (CHIP)	0.01uF 50V K	チ ッ プ セ ラ コ ン	368353	
C1718	<b>WJ</b> 592200	CERAMIC CAPACITOR (CHIP)	0.1uF 25V K	チ ッ プ セ ラ コ ン	374404	01
C1720	<b>AA</b> X6302R	CERAMIC CAPACITOR (CHIP)	1000pF K	チ ッ プ セ ラ コ ン	065501	
C1721	<b>AA</b> X6302R	CERAMIC CAPACITOR (CHIP)	1000pF K	チ ッ プ セ ラ コ ン	065501	
C1723	<b>WJ</b> 592200	CERAMIC CAPACITOR (CHIP)	0.1uF 25V K	チ ッ プ セ ラ コ ン	374404	01
C1724	<b>WJ</b> 592100	CERAMIC CAPACITOR (CHIP)	0.47uF K	チ ッ プ セ ラ コ ン	334335	03
C1800	<b>WJ</b> 592200	CERAMIC CAPACITOR (CHIP)	0.1uF 25V K	チ ッ プ セ ラ コ ン	374404	01
C1801	<b>AA</b> X6299R	ELECTROLYTIC CAP. (CHIP)	10uF 35V	チ ッ プ ケ ミ コ ン	412428	02
C1802	<b>AA</b> X6299R	ELECTROLYTIC CAP. (CHIP)	10uF 35V	チ ッ プ ケ ミ コ ン	412428	02
C1803	<b>AA</b> X6297R	ELECTROLYTIC CAP. (CHIP)	47uF 25V	チ ッ プ ケ ミ コ ン	412426	
C1804	<b>AA</b> X6299R	ELECTROLYTIC CAP. (CHIP)	10uF 35V	チ ッ プ ケ ミ コ ン	412428	02
C1806	<b>AA</b> X6182R	CERAMIC CAPACITOR (CHIP)	10pF 50V J	チ ッ プ セ ラ コ ン	065472	

\*: New Parts

RANK: Japan only

MOTHER E-H

REF NO.	PART NO.	DESCRIPTION		部 品 名	REMARKS	QTY	RANK
C1818	WJ592200	CERAMIC CAPACITOR (CHIP)	0.1uF 25V K	チ ッ プ セ ラ コ ン		374404	01
C1821	AA6302R	CERAMIC CAPACITOR (CHIP)	1000pF K	チ ッ プ セ ラ コ ン		065501	
C1823	WJ592200	CERAMIC CAPACITOR (CHIP)	0.1uF 25V K	チ ッ プ セ ラ コ ン		374404	01
CN59	--	CONNECTOR BASE POST	B3B-ZR-SM4-TF	コ ネ ク タ ー ベ ー ス ポ ス ト	044944 (WR96220)		
CN1501	WJ593800	CONNECTOR BASE POST	11P 53290-1180 LF	コ ネ ク タ 1 1 P		444918	07
CN1502	WJ593800	CONNECTOR BASE POST	11P 53290-1180 LF	コ ネ ク タ 1 1 P		444918	07
CN1503	WR963100	CONNECTOR BASE POST	11P GPHA102-1102A156 LF	コ ネ ク タ ー ベ ー ス ポ ス ト		484435	
CN1504	WR962700	CONNECTOR BASE POST	8P-VH	コ ネ ク タ ー ベ ー ス ポ ス ト		338865	
CN1505	WR961300	CONNECTOR BASE POST	2P B02B-PH-SM4-TB	コ ネ ク タ ー ベ ー ス ポ ス ト		081686	
CN1506	--	CONNECTOR BASE POST	12P B12B-ZR-SM4-R-TF	コ ネ ク タ ー ベ ー ス ポ ス ト	484949 (WR96250)		
CN1507	--	CONNECTOR BASE POST	10P B10B-PH-SM4-R-TB	コ ネ ク タ ー ベ ー ス ポ ス ト	484953 (WR96190)		
CN1601	WJ593800	CONNECTOR BASE POST	11P 53290-1180 LF	コ ネ ク タ 1 1 P		444918	07
CN1602	WJ593800	CONNECTOR BASE POST	11P 53290-1180 LF	コ ネ ク タ 1 1 P		444918	07
CN1701	WJ593800	CONNECTOR BASE POST	11P 53290-1180 LF	コ ネ ク タ 1 1 P		444918	07
CN1702	WJ593800	CONNECTOR BASE POST	11P 53290-1180 LF	コ ネ ク タ 1 1 P		444918	07
CN1703	WR963100	CONNECTOR BASE POST	11P GPHA102-1102A156 LF	コ ネ ク タ ー ベ ー ス ポ ス ト		484435	
CN1801	WJ593800	CONNECTOR BASE POST	11P 53290-1180 LF	コ ネ ク タ 1 1 P		444918	07
CN1802	WJ593800	CONNECTOR BASE POST	11P 53290-1180 LF	コ ネ ク タ 1 1 P		444918	07
D1	XX698570	DIODE (CHIP)	1SS355 TE-17	ダ イ オ ー ド		069444	01
D2	XX698570	DIODE (CHIP)	1SS355 TE-17	ダ イ オ ー ド		069444	01
D1501	WT869300	ZENER DIODE	UDZS6.2B 6.2V	ツ ェ ナ ー ダ イ オ ー ド		044872	
D1502	XX698570	DIODE (CHIP)	1SS355 TE-17	ダ イ オ ー ド		069444	01
D1503	XX698570	DIODE (CHIP)	1SS355 TE-17	ダ イ オ ー ド		069444	01
D1509	WP899000	ZENER DIODE	UDZS5.6B TE-17	ツ ェ ナ ー ダ イ オ ー ド		049039	
D1601	WT869300	ZENER DIODE	UDZS6.2B 6.2V	ツ ェ ナ ー ダ イ オ ー ド		044872	
D1606	XX698570	DIODE (CHIP)	1SS355 TE-17	ダ イ オ ー ド		069444	01
D1609	WP899000	ZENER DIODE	UDZS5.6B TE-17	ツ ェ ナ ー ダ イ オ ー ド		049039	
D1701	WT869300	ZENER DIODE	UDZS6.2B 6.2V	ツ ェ ナ ー ダ イ オ ー ド		044872	
D1702	XX698570	DIODE (CHIP)	1SS355 TE-17	ダ イ オ ー ド		069444	01
D1706	XX698570	DIODE (CHIP)	1SS355 TE-17	ダ イ オ ー ド		069444	01
D1709	WP899000	ZENER DIODE	UDZS5.6B TE-17	ツ ェ ナ ー ダ イ オ ー ド		049039	
D1801	WT869300	ZENER DIODE	UDZS6.2B 6.2V	ツ ェ ナ ー ダ イ オ ー ド		044872	
D1806	XX698570	DIODE (CHIP)	1SS355 TE-17	ダ イ オ ー ド		069444	01
D1809	WP899000	ZENER DIODE	UDZS5.6B TE-17	ツ ェ ナ ー ダ イ オ ー ド		049039	
EP1500	XX698880	LUG TERMINAL	MET37-0001	ラ グ 端 子		075878	02
EP1501	XX698880	LUG TERMINAL	MET37-0001	ラ グ 端 子		075878	02
IC1	YC319A00	IC	LM317EMPX/NOPB	C	REGULATOR	434806	
IC2	YC320A00	IC	TC74VX04FK	C	INVERTER	496236	
IC1501	AA6275R	IC	NJM2068M-D TE1	C	OP AMP	070170	04
IC1701	AA6275R	IC	NJM2068M-D TE1	C	OP AMP	070170	04
L10	--	FERRITE BEAD	ZBF503M-007A-01	フ ェ ラ イ ト ビ ー ス	413258 (WR96850)		
Q1501	AA6277R	TRANSISTOR (CHIP)	KRA102S-RTK/P T LF	ト ラ ン ジ ス タ		402267	01
Q1502	WR970400	TRANSISTOR	2SC5938A	ト ラ ン ジ ス タ		484462	
Q1503	AA45980	TRANSISTOR (CHIP)	2SC2412K QRS T146	ト ラ ン ジ ス タ		068775	01
Q1504	AA45980	TRANSISTOR (CHIP)	2SC2412K QRS T146	ト ラ ン ジ ス タ		068775	01
Q1506	AA6371R	TRANSISTOR (CHIP)	2SA1037AK QRS T146	ト ラ ン ジ ス タ		068590	01
Q1507	AA45980	TRANSISTOR (CHIP)	2SC2412K QRS T146	ト ラ ン ジ ス タ		068775	01
Q1508	AA6371R	TRANSISTOR (CHIP)	2SA1037AK QRS T146	ト ラ ン ジ ス タ		068590	01
Q1509	AA6371R	TRANSISTOR (CHIP)	2SA1037AK QRS T146	ト ラ ン ジ ス タ		068590	01
Q1510	AA45980	TRANSISTOR (CHIP)	2SC2412K QRS T146	ト ラ ン ジ ス タ		068775	01
Q1511	WJ613900	DIGITAL TRANSISTOR	DTC144EKA T146	デ ジ タ ル ト ラ ン ジ ス タ		069311	01
Q1512	AA45980	TRANSISTOR (CHIP)	2SC2412K QRS T146	ト ラ ン ジ ス タ		068775	01
Q1513	AA6277R	TRANSISTOR (CHIP)	KRA102S-RTK/P T LF	ト ラ ン ジ ス タ		402267	01
Q1514	WR970400	TRANSISTOR	2SC5938A	ト ラ ン ジ ス タ		484462	
Q1515	AA6277R	TRANSISTOR (CHIP)	KRA102S-RTK/P T LF	ト ラ ン ジ ス タ		402267	01
Q1516	WR970400	TRANSISTOR	2SC5938A	ト ラ ン ジ ス タ		484462	
Q1517	AA6371R	TRANSISTOR (CHIP)	2SA1037AK QRS T146	ト ラ ン ジ ス タ		068590	01
Q1518	AA6371R	TRANSISTOR (CHIP)	2SA1037AK QRS T146	ト ラ ン ジ ス タ		068590	01
Q1519	WR970400	TRANSISTOR	2SC5938A	ト ラ ン ジ ス タ		484462	
Q1520	WJ613900	DIGITAL TRANSISTOR	DTC144EKA T146	デ ジ タ ル ト ラ ン ジ ス タ		069311	01
Q1521	WJ613900	DIGITAL TRANSISTOR	DTC144EKA T146	デ ジ タ ル ト ラ ン ジ ス タ		069311	01
Q1601	AA6277R	TRANSISTOR (CHIP)	KRA102S-RTK/P T LF	ト ラ ン ジ ス タ		402267	01
Q1602	WR970400	TRANSISTOR	2SC5938A	ト ラ ン ジ ス タ		484462	
Q1620	WJ613900	DIGITAL TRANSISTOR	DTC144EKA T146	デ ジ タ ル ト ラ ン ジ ス タ		069311	01
Q1701	AA6277R	TRANSISTOR (CHIP)	KRA102S-RTK/P T LF	ト ラ ン ジ ス タ		402267	01
Q1702	WR970400	TRANSISTOR	2SC5938A	ト ラ ン ジ ス タ		484462	
Q1703	AA45980	TRANSISTOR (CHIP)	2SC2412K QRS T146	ト ラ ン ジ ス タ		068775	01
Q1705	AA45980	TRANSISTOR (CHIP)	2SC2412K QRS T146	ト ラ ン ジ ス タ		068775	01
Q1706	AA6371R	TRANSISTOR (CHIP)	2SA1037AK QRS T146	ト ラ ン ジ ス タ		068590	01
Q1707	AA45980	TRANSISTOR (CHIP)	2SC2412K QRS T146	ト ラ ン ジ ス タ		068775	01

\* : New Parts

RANK: Japan only

## MOTHER E-H

REF NO.	PART NO.	DESCRIPTION	部 品 名	REMARKS	QTY	RANK
Q1708	<b>AA</b> X6371R	TRANSISTOR (CHIP)	2SA1037AK QRS T146	ト ラ ン ジ ス タ	068590	01
Q1709	<b>AA</b> X6371R	TRANSISTOR (CHIP)	2SA1037AK QRS T146	ト ラ ン ジ ス タ	068590	01
Q1710	<b>AA</b> X45980	TRANSISTOR (CHIP)	2SC2412K QRS T146	ト ラ ン ジ ス タ	068775	01
Q1711	<b>WJ</b> 613900	DIGITAL TRANSISTOR	DTC144EKA T146	デ ジ タ ル ト ラ ン ジ ス タ	069311	01
Q1712	<b>AA</b> X45980	TRANSISTOR (CHIP)	2SC2412K QRS T146	ト ラ ン ジ ス タ	068775	01
* Q1713	<b>AA</b> X6277R	TRANSISTOR (CHIP)	KRA102S-RTK/P T LF	ト ラ ン ジ ス タ	402267	01
Q1714	<b>WR</b> 970400	TRANSISTOR	2SC5938A	ト ラ ン ジ ス タ	484462	
Q1715	<b>AA</b> X6277R	TRANSISTOR (CHIP)	KRA102S-RTK/P T LF	ト ラ ン ジ ス タ	402267	01
* Q1716	<b>WR</b> 970400	TRANSISTOR	2SC5938A	ト ラ ン ジ ス タ	484462	
Q1718	<b>AA</b> X6371R	TRANSISTOR (CHIP)	2SA1037AK QRS T146	ト ラ ン ジ ス タ	068590	01
* Q1719	<b>WR</b> 970400	TRANSISTOR	2SC5938A	ト ラ ン ジ ス タ	484462	
Q1720	<b>WJ</b> 613900	DIGITAL TRANSISTOR	DTC144EKA T146	デ ジ タ ル ト ラ ン ジ ス タ	069311	01
Q1721	<b>WJ</b> 613900	DIGITAL TRANSISTOR	DTC144EKA T146	デ ジ タ ル ト ラ ン ジ ス タ	069311	01
Q1801	<b>AA</b> X6277R	TRANSISTOR (CHIP)	KRA102S-RTK/P T LF	ト ラ ン ジ ス タ	402267	01
* Q1802	<b>WR</b> 970400	TRANSISTOR	2SC5938A	ト ラ ン ジ ス タ	484462	
Q1820	<b>WJ</b> 613900	DIGITAL TRANSISTOR	DTC144EKA T146	デ ジ タ ル ト ラ ン ジ ス タ	069311	01
* R1	<b>WT</b> 870400	CARBON RESISTOR (CHIP)	240 1/16W F	チ ッ プ 抵 抗	500793	
* R2	<b>WT</b> 869700	CARBON RESISTOR (CHIP)	270 1/16W F	チ ッ プ 抵 抗	067524	
R3	<b>AA</b> X6312R	CARBON RESISTOR (CHIP)	1M J	チ ッ プ 抵 抗	067500	
R4	<b>AA</b> X6287R	CARBON RESISTOR (CHIP)	5.6K J	チ ッ プ 抵 抗	067553	
R5	<b>AA</b> X6409R	CARBON RESISTOR (CHIP)	0.00 J	チ ッ プ 抵 抗	067491	01
R1501	<b>AA</b> X6279R	CARBON RESISTOR (CHIP)	1.5K J	チ ッ プ 抵 抗	067508	
R1502	<b>AA</b> X6286R	CARBON RESISTOR (CHIP)	150K J	チ ッ プ 抵 抗	067511	
R1503	<b>AA</b> X6286R	CARBON RESISTOR (CHIP)	150K J	チ ッ プ 抵 抗	067511	
R1504	<b>WP</b> 034700	CARBON RESISTOR (CHIP)	43K J	チ ッ プ 抵 抗	396548	01
R1505	<b>AA</b> X6281R	CARBON RESISTOR (CHIP)	1K J	チ ッ プ 抵 抗	067495	01
R1507	<b>AA</b> X6282R	CARBON RESISTOR (CHIP)	270K J	チ ッ プ 抵 抗	067528	
* R1508	<b>WP</b> 899200	CARBON RESISTOR (CHIP)	39k J	チ ッ プ 抵 抗	067540	
* R1509	<b>WT</b> 869600	CARBON RESISTOR (CHIP)	10K 1/16W F	チ ッ プ 抵 抗	067496	
* R1510	<b>WQ</b> 026300	CARBON RESISTOR (CHIP)	33K 1/10W F	チ ッ プ 抵 抗	418796	
* R1511	<b>WT</b> 870300	CARBON RESISTOR (CHIP)	27K 1/16W F	チ ッ プ 抵 抗	500383	
R1512	<b>WJ</b> 599500	CARBON RESISTOR (CHIP)	100 J	チ ッ プ 抵 抗	067493	01
R1513	<b>AA</b> X6281R	CARBON RESISTOR (CHIP)	1K J	チ ッ プ 抵 抗	067495	01
R1514	<b>AA</b> X6288R	CARBON RESISTOR (CHIP)	10K J	チ ッ プ 抵 抗	067497	03
R1515	<b>AA</b> X6288R	CARBON RESISTOR (CHIP)	10K J	チ ッ プ 抵 抗	067497	03
R1516	<b>AA</b> X6292R	CARBON RESISTOR (CHIP)	100K J	チ ッ プ 抵 抗	067499	
R1517	<b>WJ</b> 606800	CARBON RESISTOR (CHIP)	82K J	チ ッ プ 抵 抗	067564	01
R1518	<b>AA</b> X6382R	CARBON RESISTOR (CHIP)	56K J	チ ッ プ 抵 抗	067554	
R1519	<b>AA</b> X6288R	CARBON RESISTOR (CHIP)	10K J	チ ッ プ 抵 抗	067497	03
R1520	<b>AA</b> X6281R	CARBON RESISTOR (CHIP)	1K J	チ ッ プ 抵 抗	067495	01
R1521	<b>AA</b> X6288R	CARBON RESISTOR (CHIP)	10K J	チ ッ プ 抵 抗	067497	03
R1522	<b>AA</b> X6388R	CARBON RESISTOR (CHIP)	4.7K J	チ ッ プ 抵 抗	067545	
R1523	<b>AA</b> X6288R	CARBON RESISTOR (CHIP)	10K J	チ ッ プ 抵 抗	067497	03
R1524	<b>AA</b> X6288R	CARBON RESISTOR (CHIP)	10K J	チ ッ プ 抵 抗	067497	03
R1525	<b>AA</b> X6280R	CARBON RESISTOR (CHIP)	47K J	チ ッ プ 抵 抗	067546	01
R1526	<b>WJ</b> 606500	CARBON RESISTOR (CHIP)	2.7K J	チ ッ プ 抵 抗	067526	01
R1527	<b>AA</b> X6280R	CARBON RESISTOR (CHIP)	47K J	チ ッ プ 抵 抗	067546	01
R1528	<b>AA</b> X6388R	CARBON RESISTOR (CHIP)	4.7K J	チ ッ プ 抵 抗	067545	
R1529	<b>AA</b> X6288R	CARBON RESISTOR (CHIP)	10K J	チ ッ プ 抵 抗	067497	03
R1530	<b>WJ</b> 606600	CARBON RESISTOR (CHIP)	330K J	チ ッ プ 抵 抗	067533	01
R1531	<b>AA</b> X6292R	CARBON RESISTOR (CHIP)	100K J	チ ッ プ 抵 抗	067499	
R1532	<b>AA</b> X6315R	CARBON RESISTOR (CHIP)	10 J	チ ッ プ 抵 抗	067492	01
R1533	<b>AA</b> X6292R	CARBON RESISTOR (CHIP)	100K J	チ ッ プ 抵 抗	067499	
R1534	<b>AA</b> X6292R	CARBON RESISTOR (CHIP)	100K J	チ ッ プ 抵 抗	067499	
R1535	<b>AA</b> X6288R	CARBON RESISTOR (CHIP)	10K J	チ ッ プ 抵 抗	067497	03
* R1537	<b>WR</b> 958700	CARBON RESISTOR	8.2K 1/10W F	カ ー ボ ン 抵 抗	053568	
* R1538	<b>WQ</b> 026300	CARBON RESISTOR (CHIP)	33K 1/10W F	チ ッ プ 抵 抗	418796	
* R1540	<b>WR</b> 958700	CARBON RESISTOR	8.2K 1/10W F	カ ー ボ ン 抵 抗	053568	
* R1541	<b>WQ</b> 026300	CARBON RESISTOR (CHIP)	33K 1/10W F	チ ッ プ 抵 抗	418796	
R1542	<b>AA</b> X6280R	CARBON RESISTOR (CHIP)	47K J	チ ッ プ 抵 抗	067546	01
-1545	<b>AA</b> X6280R	CARBON RESISTOR (CHIP)	47K J	チ ッ プ 抵 抗	067546	01
R1546	<b>AA</b> X6388R	CARBON RESISTOR (CHIP)	4.7K J	チ ッ プ 抵 抗	067545	
R1547	<b>AA</b> X6280R	CARBON RESISTOR (CHIP)	47K J	チ ッ プ 抵 抗	067546	01
-1550	<b>AA</b> X6280R	CARBON RESISTOR (CHIP)	47K J	チ ッ プ 抵 抗	067546	01
R1551	<b>WJ</b> 599900	CARBON RESISTOR (CHIP)	820 J	チ ッ プ 抵 抗	067561	01
R1552	<b>WJ</b> 599900	CARBON RESISTOR (CHIP)	820 J	チ ッ プ 抵 抗	067561	01
R1553	<b>AA</b> X6291R	CARBON RESISTOR (CHIP)	15K J	チ ッ プ 抵 抗	067509	
R1554	<b>AA</b> X6310R	CARBON RESISTOR (CHIP)	1.8K J	チ ッ プ 抵 抗	067514	
* R1555	<b>WT</b> 870000	CARBON RESISTOR (CHIP)	130K 1/16W J	チ ッ プ 抵 抗	391438	
* R1556	<b>WT</b> 869800	CARBON RESISTOR (CHIP)	390K 1/16W F	チ ッ プ 抵 抗	067541	

\*: New Parts

RANK: Japan only

MOTHER E-H

REF NO.	PART NO.	DESCRIPTION	部	品	名	REMARKS	QTY	RANK
R1557	WJ599900	CARBON RESISTOR (CHIP)	820 J	チ	ッ	ブ 抵 抗	067561	01
R1558	WJ599900	CARBON RESISTOR (CHIP)	820 J	チ	ッ	ブ 抵 抗	067561	01
R1560	AAx6288R	CARBON RESISTOR (CHIP)	10K J	チ	ッ	ブ 抵 抗	067497	03
R1601	AAx6279R	CARBON RESISTOR (CHIP)	1.5K J	チ	ッ	ブ 抵 抗	067508	
R1602	AAx6286R	CARBON RESISTOR (CHIP)	150K J	チ	ッ	ブ 抵 抗	067511	
R1603	AAx6286R	CARBON RESISTOR (CHIP)	150K J	チ	ッ	ブ 抵 抗	067511	
R1604	WP034700	CARBON RESISTOR (CHIP)	43KΩJ	チ	ッ	ブ 抵 抗	396548	01
R1605	AAx6281R	CARBON RESISTOR (CHIP)	1K J	チ	ッ	ブ 抵 抗	067495	01
R1607	AAx6282R	CARBON RESISTOR (CHIP)	270K J	チ	ッ	ブ 抵 抗	067528	
* R1608	WP899200	CARBON RESISTOR (CHIP)	39k J	チ	ッ	ブ 抵 抗	067540	
* R1609	WT869600	CARBON RESISTOR (CHIP)	10K 1/16W F	チ	ッ	ブ 抵 抗	067496	
* R1610	WQ026300	CARBON RESISTOR (CHIP)	33K 1/10W F	チ	ッ	ブ 抵 抗	418796	
* R1611	WT870300	CARBON RESISTOR (CHIP)	27K 1/16W F	チ	ッ	ブ 抵 抗	500383	
R1612	WJ599500	CARBON RESISTOR (CHIP)	100 J	チ	ッ	ブ 抵 抗	067493	01
R1653	AAx6291R	CARBON RESISTOR (CHIP)	15K J	チ	ッ	ブ 抵 抗	067509	
R1654	AAx6310R	CARBON RESISTOR (CHIP)	1.8K J	チ	ッ	ブ 抵 抗	067514	
R1660	AAx6288R	CARBON RESISTOR (CHIP)	10K J	チ	ッ	ブ 抵 抗	067497	03
R1701	AAx6279R	CARBON RESISTOR (CHIP)	1.5K J	チ	ッ	ブ 抵 抗	067508	
R1702	AAx6286R	CARBON RESISTOR (CHIP)	150K J	チ	ッ	ブ 抵 抗	067511	
R1703	AAx6286R	CARBON RESISTOR (CHIP)	150K J	チ	ッ	ブ 抵 抗	067511	
R1704	WP034700	CARBON RESISTOR (CHIP)	43KΩJ	チ	ッ	ブ 抵 抗	396548	01
R1705	AAx6281R	CARBON RESISTOR (CHIP)	1K J	チ	ッ	ブ 抵 抗	067495	01
R1707	AAx6282R	CARBON RESISTOR (CHIP)	270K J	チ	ッ	ブ 抵 抗	067528	
* R1708	WP899200	CARBON RESISTOR (CHIP)	39k J	チ	ッ	ブ 抵 抗	067540	
* R1709	WT869600	CARBON RESISTOR (CHIP)	10K 1/16W F	チ	ッ	ブ 抵 抗	067496	
* R1710	WQ026300	CARBON RESISTOR (CHIP)	33K 1/10W F	チ	ッ	ブ 抵 抗	418796	
* R1711	WT870300	CARBON RESISTOR (CHIP)	27K 1/16W F	チ	ッ	ブ 抵 抗	500383	
R1712	WJ599500	CARBON RESISTOR (CHIP)	100 J	チ	ッ	ブ 抵 抗	067493	01
R1713	AAx6281R	CARBON RESISTOR (CHIP)	1K J	チ	ッ	ブ 抵 抗	067495	01
R1714	AAx6288R	CARBON RESISTOR (CHIP)	10K J	チ	ッ	ブ 抵 抗	067497	03
R1715	AAx6288R	CARBON RESISTOR (CHIP)	10K J	チ	ッ	ブ 抵 抗	067497	03
R1716	AAx6292R	CARBON RESISTOR (CHIP)	100K J	チ	ッ	ブ 抵 抗	067499	
R1717	WJ606800	CARBON RESISTOR (CHIP)	82K J	チ	ッ	ブ 抵 抗	067564	01
R1718	AAx6382R	CARBON RESISTOR (CHIP)	56K J	チ	ッ	ブ 抵 抗	067554	
R1719	AAx6288R	CARBON RESISTOR (CHIP)	10K J	チ	ッ	ブ 抵 抗	067497	03
R1720	AAx6281R	CARBON RESISTOR (CHIP)	1K J	チ	ッ	ブ 抵 抗	067495	01
R1721	AAx6288R	CARBON RESISTOR (CHIP)	10K J	チ	ッ	ブ 抵 抗	067497	03
R1722	AAx6388R	CARBON RESISTOR (CHIP)	4.7K J	チ	ッ	ブ 抵 抗	067545	
R1723	AAx6288R	CARBON RESISTOR (CHIP)	10K J	チ	ッ	ブ 抵 抗	067497	03
R1724	AAx6288R	CARBON RESISTOR (CHIP)	10K J	チ	ッ	ブ 抵 抗	067497	03
R1725	AAx6280R	CARBON RESISTOR (CHIP)	47K J	チ	ッ	ブ 抵 抗	067546	01
R1726	WJ606500	CARBON RESISTOR (CHIP)	2.7K J	チ	ッ	ブ 抵 抗	067526	01
R1727	AAx6280R	CARBON RESISTOR (CHIP)	47K J	チ	ッ	ブ 抵 抗	067546	01
R1728	AAx6388R	CARBON RESISTOR (CHIP)	4.7K J	チ	ッ	ブ 抵 抗	067545	
R1729	AAx6288R	CARBON RESISTOR (CHIP)	10K J	チ	ッ	ブ 抵 抗	067497	03
R1730	WJ606600	CARBON RESISTOR (CHIP)	330K J	チ	ッ	ブ 抵 抗	067533	01
R1731	AAx6292R	CARBON RESISTOR (CHIP)	100K J	チ	ッ	ブ 抵 抗	067499	
R1732	AAx6315R	CARBON RESISTOR (CHIP)	10 J	チ	ッ	ブ 抵 抗	067492	01
R1733	AAx6292R	CARBON RESISTOR (CHIP)	100K J	チ	ッ	ブ 抵 抗	067499	
R1734	AAx6292R	CARBON RESISTOR (CHIP)	100K J	チ	ッ	ブ 抵 抗	067499	
R1735	AAx6288R	CARBON RESISTOR (CHIP)	10K J	チ	ッ	ブ 抵 抗	067497	03
* R1737	WR958700	CARBON RESISTOR	8.2K 1/10W F	カ	ー	ボ ン 抵 抗	053568	
* R1738	WQ026300	CARBON RESISTOR (CHIP)	33K 1/10W F	チ	ッ	ブ 抵 抗	418796	
* R1740	WR958700	CARBON RESISTOR	8.2K 1/10W F	カ	ー	ボ ン 抵 抗	053568	
* R1741	WQ026300	CARBON RESISTOR (CHIP)	33K 1/10W F	チ	ッ	ブ 抵 抗	418796	
R1747	AAx6280R	CARBON RESISTOR (CHIP)	47K J	チ	ッ	ブ 抵 抗	067546	01
-1750	AAx6280R	CARBON RESISTOR (CHIP)	47K J	チ	ッ	ブ 抵 抗	067546	01
R1751	WJ599900	CARBON RESISTOR (CHIP)	820 J	チ	ッ	ブ 抵 抗	067561	01
R1752	WJ599900	CARBON RESISTOR (CHIP)	820 J	チ	ッ	ブ 抵 抗	067561	01
R1753	AAx6291R	CARBON RESISTOR (CHIP)	15K J	チ	ッ	ブ 抵 抗	067509	
R1754	AAx6310R	CARBON RESISTOR (CHIP)	1.8K J	チ	ッ	ブ 抵 抗	067514	
* R1755	WT870000	CARBON RESISTOR (CHIP)	130K 1/16W J	チ	ッ	ブ 抵 抗	391438	
* R1756	WT869800	CARBON RESISTOR (CHIP)	390K 1/16W F	チ	ッ	ブ 抵 抗	067541	
R1757	WJ599900	CARBON RESISTOR (CHIP)	820 J	チ	ッ	ブ 抵 抗	067561	01
R1758	WJ599900	CARBON RESISTOR (CHIP)	820 J	チ	ッ	ブ 抵 抗	067561	01
R1760	AAx6288R	CARBON RESISTOR (CHIP)	10K J	チ	ッ	ブ 抵 抗	067497	03
R1801	AAx6279R	CARBON RESISTOR (CHIP)	1.5K J	チ	ッ	ブ 抵 抗	067508	
R1802	AAx6286R	CARBON RESISTOR (CHIP)	150K J	チ	ッ	ブ 抵 抗	067511	
R1803	AAx6286R	CARBON RESISTOR (CHIP)	150K J	チ	ッ	ブ 抵 抗	067511	
R1804	WP034700	CARBON RESISTOR (CHIP)	43KΩJ	チ	ッ	ブ 抵 抗	396548	01

\* : New Parts

RANK: Japan only

## MOTHER E-H and POWER

REF NO.	PART NO.	DESCRIPTION		部 品 名	REMARKS	QTY	RANK
R1805	<b>AA</b> X6281R	CARBON RESISTOR (CHIP)	1K J	チ ッ プ 抵 抗		067495	01
R1807	<b>AA</b> X6282R	CARBON RESISTOR (CHIP)	270K J	チ ッ プ 抵 抗		067528	
* R1808	<b>WP</b> 899200	CARBON RESISTOR (CHIP)	39k J	チ ッ プ 抵 抗		067540	
* R1809	<b>WT</b> 869600	CARBON RESISTOR (CHIP)	10K 1/16W F	チ ッ プ 抵 抗		067496	
* R1810	<b>WQ</b> 026300	CARBON RESISTOR (CHIP)	33K 1/10W F	チ ッ プ 抵 抗		418796	
* R1811	<b>WT</b> 870300	CARBON RESISTOR (CHIP)	27K 1/16W F	チ ッ プ 抵 抗		500383	
R1812	<b>WJ</b> 599500	CARBON RESISTOR (CHIP)	100 J	チ ッ プ 抵 抗		067493	01
R1853	<b>AA</b> X6291R	CARBON RESISTOR (CHIP)	15K J	チ ッ プ 抵 抗		067509	
R1854	<b>AA</b> X6310R	CARBON RESISTOR (CHIP)	1.8K J	チ ッ プ 抵 抗		067514	
R1860	<b>AA</b> X6288R	CARBON RESISTOR (CHIP)	10K J	チ ッ プ 抵 抗		067497	03
* T1501	<b>WR</b> 984100	COIL	OD2215-701B	コ イ ル		493953	
* T1701	<b>WR</b> 984100	COIL	OD2215-701B	コ イ ル		493953	
TR1501	<b>AA</b> X6404R	FET	2SK246 BL (-F)	F E T		407813	03
TR1601	<b>AA</b> X6404R	FET	2SK246 BL (-F)	F E T		407813	03
TR1701	<b>AA</b> X6404R	FET	2SK246 BL (-F)	F E T		407813	03
TR1801	<b>AA</b> X6404R	FET	2SK246 BL (-F)	F E T		407813	03
* X1	<b>WT</b> 870700	CERAMIC RESONATOR	CSBLA380KECE-B0	セラミック振動子		496237	
	<b>WR</b> 983100	CIRCUIT BOARD	POWER	P O W E R シ ー ト		498460	
	<b>AA</b> X11050	BUSHING	B-24	ブ ッ シ ュ		044543	01
* WS522100	PAN HEAD SCREW	M3x10	ナ ベ 小 ネ ジ		422409	6	
* WP928000	HEXAGONAL NUT		六 角 ナ ッ ト		422987	2	
* WT892800	SILICON SHEET	TC-30CG	シリコンシート		486094		
* WR982800	FUSE HOLDER	TP00351-31	ヒューズホルダー		490180	2	
	--	HEATSINK POWER A		ヒートシンク A		484734	
	--	HEATSINK POWER B		ヒートシンク B		484735	
△ C901	<b>WR</b> 974200	CAPACITOR	0.47uF 275V	規格認定コンデンサ		485439	
* C902	<b>WR</b> 975800	POLYPROPYLENE CAPACITOR	1.2uF 450V K	P コ ン		484957	
* C903	<b>WT</b> 869200	CERAMIC CAPACITOR (CHIP)	2200pF 50V	チップ積層セラコン		498170	
* C904	<b>WR</b> 957800	CERAMIC CAPACITOR (CHIP)	0.68uF 10V K	チップ積層セラコン		484939	
* C905	<b>AA</b> X6302R	CERAMIC CAPACITOR (CHIP)	1000pF K	チップセラコン		065501	
* C906	<b>WR</b> 986900	TANTALUM CAPACITOR	15uF 25V	タンタルコン		484946	
* C907	<b>WR</b> 957900	CERAMIC CAPACITOR (CHIP)	3.3uF 10V K	チップ積層セラコン		484940	
* C908	<b>WR</b> 959400	CERAMIC CAPACITOR (CHIP)	0.22uF 25V K	チップ積層セラコン		488610	
* C909	<b>WR</b> 958100	CERAMIC CAPACITOR (CHIP)	0.1uF 50V K	チップ積層セラコン		484941	
* C910	<b>WR</b> 959200	CERAMIC CAPACITOR (CHIP)	220pF 630V J	チップ積層セラコン		484942	
* C911	<b>WR</b> 959300	CERAMIC CAPACITOR (CHIP)	1000pF 1000V K	チップ積層セラコン		487041	
* C912	<b>WT</b> 868600	ELECTROLYTIC CAPACITOR	200uF 450V	ケ ミ コ ン		500381	
* C913	<b>WT</b> 868600	ELECTROLYTIC CAPACITOR	200uF 450V	ケ ミ コ ン		500381	
* C914	<b>WR</b> 969600	ELECTROLYTIC CAPACITOR	56uF 250V	ケ ミ コ ン		484951	
* C915	<b>WR</b> 969600	ELECTROLYTIC CAPACITOR	56uF 250V	ケ ミ コ ン		484951	
* C916	<b>WR</b> 982900	CERAMIC CAPACITOR	100pF 1KV J	セラコン		488662	
* C918	<b>WP</b> 068900	ELECTROLYTIC CAP.	47uF 35V	ケ ミ コ ン		470971	02
* C919	<b>WR</b> 957800	CERAMIC CAPACITOR (CHIP)	0.68uF 10V K	チップ積層セラコン		484939	
* C920	<b>WT</b> 869100	CERAMIC CAPACITOR (CHIP)	1.0uF 25V	チップ積層セラコン		460592	
* C921	<b>WR</b> 958100	CERAMIC CAPACITOR (CHIP)	0.1uF 50V K	チップ積層セラコン		484941	
* C922	<b>WP</b> 068900	ELECTROLYTIC CAP.	47uF 35V	ケ ミ コ ン		470971	02
* C923	<b>WU</b> 093700	CERAMIC CAPACITOR (CHIP)	1000pF 50V J	チップセラコン		423397	
* C924	<b>WR</b> 958100	CERAMIC CAPACITOR (CHIP)	0.1uF 50V K	チップ積層セラコン		484941	
* C925	<b>WP</b> 068900	ELECTROLYTIC CAP.	47uF 35V	ケ ミ コ ン		470971	02
* C926	<b>WR</b> 969500	ELECTROLYTIC CAPACITOR	4.7uF 50V	ケ ミ コ ン		484950	
* C927	<b>WR</b> 959700	CERAMIC CAPACITOR (CHIP)	470pF 50V K	チップ積層セラコン		065514	
* C928	<b>WR</b> 959700	CERAMIC CAPACITOR (CHIP)	470pF 50V K	チップ積層セラコン		065514	
* C929	<b>WR</b> 959100	CERAMIC CAPACITOR (CHIP)	0.01uF 630V K	チップ積層セラコン		418068	
* C931	<b>WR</b> 949800	ELECTROLYTIC CAPACITOR	220uF 25V	ケ ミ コ ン		433553	
* C932	<b>WP</b> 068900	ELECTROLYTIC CAP.	47uF 35V	ケ ミ コ ン		470971	02
* C933	<b>WR</b> 959200	CERAMIC CAPACITOR (CHIP)	220pF 630V J	チップ積層セラコン		484942	
* -936	<b>WR</b> 959200	CERAMIC CAPACITOR (CHIP)	220pF 630V J	チップ積層セラコン		484942	
* C937	<b>WR</b> 969700	ELECTROLYTIC CAPACITOR	470uF 63V	ケ ミ コ ン		484952	
* -940	<b>WR</b> 969700	ELECTROLYTIC CAPACITOR	470uF 63V	ケ ミ コ ン		484952	
* C941	<b>WP</b> 111400	CERAMIC CAPACITOR	2200pF	セラコン		471018	03
* C942	<b>WR</b> 957700	CERAMIC CAPACITOR (CHIP)	820pF 50V J	チップ積層セラコン		484938	
* C943	<b>WR</b> 958100	CERAMIC CAPACITOR (CHIP)	0.1uF 50V K	チップ積層セラコン		484941	
* C944	<b>WR</b> 958100	CERAMIC CAPACITOR (CHIP)	0.1uF 50V K	チップ積層セラコン		484941	
* C945	<b>WR</b> 959200	CERAMIC CAPACITOR (CHIP)	220pF 630V J	チップ積層セラコン		484942	
* CN901	<b>WR</b> 963200	CONNECTOR BASE POST	3P GSHD106-0302A06	コネクターベースポスト		484436	
* -903	<b>WR</b> 963200	CONNECTOR BASE POST	3P GSHD106-0302A06	コネクターベースポスト		484436	
* CN904	<b>WR</b> 963300	CONNECTOR BASE POST	11P GPHA102-1102A156 LF	コネクターベースポスト		484437	
* D901	<b>WR</b> 972000	DIODE STACK	RBV-606 6.0A 600V	ダイオードスタック		055547	
* D902	<b>WP</b> 914400	DIODE	SFR1T6 T	ダイオード		408519	

\*: New Parts

RANK: Japan only



**POWER**

REF NO.	PART NO.	DESCRIPTION	部 品 名	REMARKS	QTY	RANK
* D903	WP914400	DIODE	SFR1T6 T	ダイオード	408519	
* D904	WR972100	DIODE	1N5406	ダイオード	484963	
* D905	WR972400	DIODE	FMX-G26S	ダイオード	484967	
* D906	WR972200	DIODE	SS140	ダイオード	484964	
D907	WP043100	DIODE	SRT14A1 T LF	ダイオード	433550	02
* D908	WR972700	DIODE	P4SMA250A-E3/61	ダイオード	488607	
* D909	WR972700	DIODE	P4SMA250A-E3/61	ダイオード	488607	
D910	AAx4255R	DIODE	1SS133	ダイオード	069460	01
* D912	WR966100	ZENER DIODE	UDZS8.2B 8.2V	ツェナーダイオード	043062	
* D913	XX698570	DIODE (CHIP)	1SS355 TE-17	ダイオード	069444	01
D914	XX698570	DIODE (CHIP)	1SS355 TE-17	ダイオード	069444	01
D915	WP043100	DIODE	SRT14A1 T LF	ダイオード	433550	02
D916	WP043100	DIODE	SRT14A1 T LF	ダイオード	433550	02
* D921	WR972300	DIODE	AL01Z	ダイオード	484966	
* -924	WR972300	DIODE	AL01Z	ダイオード	484966	
D925	AAx4255R	DIODE	1SS133	ダイオード	069460	01
D926	WP043100	DIODE	SRT14A1 T LF	ダイオード	433550	02
D927	WN959300	DIODE BRIDGE	D FMG-22S 10A	ダイオードブリッジ	069556	07
D928	WN964200	DIODE BRIDGE	D FMG-22S 10A	ダイオードブリッジ	069557	07
D929	XX698570	DIODE (CHIP)	1SS355 TE-17	ダイオード	069444	01
D930	XX698570	DIODE (CHIP)	1SS355 TE-17	ダイオード	069444	01
* D931	WR966200	ZENER DIODE	UDZS36B 36V	ツェナーダイオード	050650	
* -934	WR966200	ZENER DIODE	UDZS36B 36V	ツェナーダイオード	050650	
D935	XX698570	DIODE (CHIP)	1SS355 TE-17	ダイオード	069444	01
EP901	XX698880	LUG TERMINAL	MET37-0001	ラ グ 端 子	075878	02
△ F901	WJ596600	FUSE	T 6.3A 250V	ヒ ュ ー ス	451066	03
FB901	--	FERRITE BEAD	ZBF503M-00TA-01	フェライトビーズ	413258 (WR96850)	
* IC901	YA885A00	IC	UCC28019DR	IC	PFC CONTROLLER 484970	
IC902	X8569A00	IC	UPC494GS-T2-A T	IC	SWR CONTROLLER 070475	07
* IC903	YA882A00	IC	KIA7812API-U/P	IC	REGULATOR 354983	
* L901	WR984700	COIL	CNF35T200VB	コ イ ル	488609	
* L902	WR984500	COIL	FT6053	コ イ ル	484961	
* L905	WR984600	COIL	LU-8S-V302	コ イ ル	488608	
PH901	WR966900	THERMISTOR	TPM1S471P085R	サ ミ スタ ー	484460	
* PHC901	WR973200	PHOTO COUPLER	K10103D	フ ォ ト カ プ ラ ー	484971	
* PHC902	WR973200	PHOTO COUPLER	K10103D	フ ォ ト カ プ ラ ー	484971	
* Q901	WT870600	FET	STP25NM60N	F E T	500188	
* Q902	WR970100	FET	2SK3505	F E T	484981	
* Q903	WR970100	FET	2SK3505	F E T	484981	
* Q904	AAx6371R	TRANSISTOR (CHIP)	2SA1037AK QRS T146	ト ラ ン ジ ス タ	068590	01
Q905	AAx45980	TRANSISTOR (CHIP)	2SC2412K QRS T146	ト ラ ン ジ ス タ	068775	01
Q906	AAx45980	TRANSISTOR (CHIP)	2SC2412K QRS T146	ト ラ ン ジ ス タ	068775	01
* Q907	WR970600	TRANSISTOR	2SA1036K	ト ラ ン ジ ス タ	084677	
Q908	AAx45980	TRANSISTOR (CHIP)	2SC2412K QRS T146	ト ラ ン ジ ス タ	068775	01
Q909	AAx6371R	TRANSISTOR (CHIP)	2SA1037AK QRS T146	ト ラ ン ジ ス タ	068590	01
Q910	AAx45980	TRANSISTOR (CHIP)	2SC2412K QRS T146	ト ラ ン ジ ス タ	068775	01
* Q911	WR970300	TRANSISTOR	2SC2411K	ト ラ ン ジ ス タ	068774	
* Q912	WR970300	TRANSISTOR	2SC2411K	ト ラ ン ジ ス タ	068774	
* Q913	WR970600	TRANSISTOR	2SA1036K	ト ラ ン ジ ス タ	084677	
* Q914	WR970600	TRANSISTOR	2SA1036K	ト ラ ン ジ ス タ	084677	
R901	WR959800	CARBON RESISTOR	680K 1/2W J	カ ー ボ ン 抵 抗	484948	
* R902	WR950600	CARBON RESISTOR (CHIP)	2.2M 1/8W J	チ ッ プ 抵 抗	067737	
* -904	WR950600	CARBON RESISTOR (CHIP)	2.2M 1/8W J	チ ッ プ 抵 抗	067737	
* R905	WR950000	CARBON RESISTOR (CHIP)	100K 1/8W J	チ ッ プ 抵 抗	067683	
R906	WJ599600	CARBON RESISTOR (CHIP)	220 J	チ ッ プ 抵 抗	067518	01
R907	AAx6278R	CARBON RESISTOR (CHIP)	33K J	チ ッ プ 抵 抗	067532	
* R908	WR950100	CARBON RESISTOR (CHIP)	100 1/8W J	チ ッ プ 抵 抗	067677	
* R909	WT869500	CEMENT RESISTOR	0.022 3W K	セ メ ン ト 抵 抗	498166	
* R910	WR951900	CARBON RESISTOR (CHIP)	2.2 1/8W J	チ ッ プ 抵 抗	067738	
R911	WJ600000	CARBON RESISTOR (CHIP)	10 J	チ ッ プ 抵 抗	067675	01
* R914	WR966500	METAL OXIDE FILM RESISTOR	4.7 2W J	酸 化 金 属 皮 膜 抵 抗	488661	
* R915	WR958300	CARBON RESISTOR	499K 1/4W F	カ ー ボ ン 抵 抗	484977	
* R916	WR958600	CARBON RESISTOR	470K 1/4W F	カ ー ボ ン 抵 抗	487160	
* R917	WR958200	CARBON RESISTOR	12.7K 1/8W F	カ ー ボ ン 抵 抗	484976	
* R918	WR952300	CARBON RESISTOR	5.6 1/6W J	カ ー ボ ン 抵 抗	067277	
* R919	WR952300	CARBON RESISTOR	5.6 1/6W J	カ ー ボ ン 抵 抗	067277	
* R920	WR951600	CARBON RESISTOR	2.2K 1/6W J	カ ー ボ ン 抵 抗	067155	
* R921	WR951600	CARBON RESISTOR	2.2K 1/6W J	カ ー ボ ン 抵 抗	067155	
* R922	WR973000	RESISTOR	220K 1/2W J	抵 抗	484974	
* R923	WR973000	RESISTOR	220K 1/2W J	抵 抗	484974	

\* : New Parts

RANK: Japan only

## POWER and REAR

REF NO.	PART NO.	DESCRIPTION		部 品 名	REMARKS	QTY	RANK
* R924	WR947800	CARBON RESISTOR (CHIP)	1.5K 1/8W J	チ ッ プ 抵 抗		067707	
R925	AAx6281R	CARBON RESISTOR (CHIP)	1K J	チ ッ プ 抵 抗		067495	01
R926	WJ606700	CARBON RESISTOR (CHIP)	6.8K J	チ ッ プ 抵 抗		067558	01
R927	WJ606700	CARBON RESISTOR (CHIP)	6.8K J	チ ッ プ 抵 抗		067558	01
R928	AAx6290R	CARBON RESISTOR (CHIP)	470 J	チ ッ プ 抵 抗		067544	
R929	AAx6315R	CARBON RESISTOR (CHIP)	10 J	チ ッ プ 抵 抗		067492	01
R930	AAx6315R	CARBON RESISTOR (CHIP)	10 J	チ ッ プ 抵 抗		067492	01
R931	AAx6281R	CARBON RESISTOR (CHIP)	1K J	チ ッ プ 抵 抗		067495	01
R932	WU093500	CARBON RESISTOR (CHIP)	75K 1/10W D	チ ッ プ 抵 抗		493681	
R933	AAx6288R	CARBON RESISTOR (CHIP)	10K J	チ ッ プ 抵 抗		067497	03
* R934	WR947800	CARBON RESISTOR (CHIP)	1.5K 1/8W J	チ ッ プ 抵 抗		067707	
R935	WJ599500	CARBON RESISTOR (CHIP)	100 J	チ ッ プ 抵 抗		067493	01
R936	AAx6287R	CARBON RESISTOR (CHIP)	5.6K J	チ ッ プ 抵 抗		067553	
R937	AAx6287R	CARBON RESISTOR (CHIP)	5.6K J	チ ッ プ 抵 抗		067553	
R938	AAx6311R	CARBON RESISTOR (CHIP)	3.3K J	チ ッ プ 抵 抗		067531	
R939	AAx6310R	CARBON RESISTOR (CHIP)	1.8K J	チ ッ プ 抵 抗		067514	
R940	WR958700	CARBON RESISTOR (CHIP)	8.2K F	チ ッ プ 抵 抗		053568	
R941	AAx6379R	CARBON RESISTOR (CHIP)	22K J	チ ッ プ 抵 抗		067520	
* R942	WP899200	CARBON RESISTOR (CHIP)	39k J	チ ッ プ 抵 抗		067540	
R943	AAx6285R	CARBON RESISTOR (CHIP)	2.2K J	チ ッ プ 抵 抗		067519	01
R944	WJ599800	CARBON RESISTOR (CHIP)	47 J	チ ッ プ 抵 抗		067543	01
R945	AAx6388R	CARBON RESISTOR (CHIP)	4.7K J	チ ッ プ 抵 抗		067545	
R946	AAx6287R	CARBON RESISTOR (CHIP)	5.6K J	チ ッ プ 抵 抗		067553	
R947	AAx6287R	CARBON RESISTOR (CHIP)	5.6K J	チ ッ プ 抵 抗		067553	
R948	AAx6280R	CARBON RESISTOR (CHIP)	47K J	チ ッ プ 抵 抗		067546	01
* R951	WR958900	CARBON RESISTOR	2.2 1/4W J	カ ー ボ ン 抵 抗		491074	
R952	AAx6287R	CARBON RESISTOR (CHIP)	5.6K J	チ ッ プ 抵 抗		067553	
* R953	WP915800	METAL OXIDE FILM RESISTOR	5.6k 2W	酸 化 金 属 増 皮 膜 抵 抗		474905	
* R954	WP915800	METAL OXIDE FILM RESISTOR	5.6k 2W	酸 化 金 属 増 皮 膜 抵 抗		474905	
R955	WJ606700	CARBON RESISTOR (CHIP)	6.8K J	チ ッ プ 抵 抗		067558	01
R956	AAx6409R	CARBON RESISTOR (CHIP)	0.00 J	チ ッ プ 抵 抗		067491	01
R957	AAx6409R	CARBON RESISTOR (CHIP)	0.00 J	チ ッ プ 抵 抗		067491	01
* R958	WR951500	CARBON RESISTOR	1K 1/6W J	カ ー ボ ン 抵 抗		067069	
R959	WR950700	CARBON RESISTOR (CHIP)	47 1/8W J	チ ッ プ 抵 抗		067776	
* R960	WR959000	CARBON RESISTOR	1.5K 1/2W J	カ ー ボ ン 抵 抗		488659	
* T901	WR985100	COIL	FT3049	コ イ ル		484959	
* T902	WR985200	COIL	FT3052	コ イ ル		484960	
	WR983500	CIRCUIT BOARD	REAR	R E A R シ ー ト		498456	
C10	WJ592200	CERAMIC CAPACITOR (CHIP)	0.1uF 25V K	チ ッ プ セ ラ コ ン		374404	01
C11	AAx6297R	ELECTROLYTIC CAP. (CHIP)	47uF 25V	チ ッ プ ケ ミ コ ン		412426	
C12	AAx6297R	ELECTROLYTIC CAP. (CHIP)	47uF 25V	チ ッ プ ケ ミ コ ン		412426	
* C13	WR959700	CERAMIC CAPACITOR (CHIP)	470pF 50V K	チ ッ プ 積 層 セ ラ コ ン		065514	
* C14	WR959700	CERAMIC CAPACITOR (CHIP)	470pF 50V K	チ ッ プ 積 層 セ ラ コ ン		065514	
C15	AAx6296R	CERAMIC CAPACITOR (CHIP)	27pF 50V J	チ ッ プ セ ラ コ ン		368358	
C17	AAx6296R	CERAMIC CAPACITOR (CHIP)	27pF 50V J	チ ッ プ セ ラ コ ン		368358	
C18	WJ592200	CERAMIC CAPACITOR (CHIP)	0.1uF 25V K	チ ッ プ セ ラ コ ン		374404	01
-20	WJ592200	CERAMIC CAPACITOR (CHIP)	0.1uF 25V K	チ ッ プ セ ラ コ ン		374404	01
C21	AAx6297R	ELECTROLYTIC CAP. (CHIP)	47uF 25V	チ ッ プ ケ ミ コ ン		412426	
C22	AAx6297R	ELECTROLYTIC CAP. (CHIP)	47uF 25V	チ ッ プ ケ ミ コ ン		412426	
* C23	WR959700	CERAMIC CAPACITOR (CHIP)	470pF 50V K	チ ッ プ 積 層 セ ラ コ ン		065514	
* C24	WR959700	CERAMIC CAPACITOR (CHIP)	470pF 50V K	チ ッ プ 積 層 セ ラ コ ン		065514	
C25	AAx6296R	CERAMIC CAPACITOR (CHIP)	27pF 50V J	チ ッ プ セ ラ コ ン		368358	
C27	AAx6296R	CERAMIC CAPACITOR (CHIP)	27pF 50V J	チ ッ プ セ ラ コ ン		368358	
C30	WJ592200	CERAMIC CAPACITOR (CHIP)	0.1uF 25V K	チ ッ プ セ ラ コ ン		374404	01
C31	AAx6297R	ELECTROLYTIC CAP. (CHIP)	47uF 25V	チ ッ プ ケ ミ コ ン		412426	
C32	AAx6297R	ELECTROLYTIC CAP. (CHIP)	47uF 25V	チ ッ プ ケ ミ コ ン		412426	
* C33	WR959700	CERAMIC CAPACITOR (CHIP)	470pF 50V K	チ ッ プ 積 層 セ ラ コ ン		065514	
* C34	WR959700	CERAMIC CAPACITOR (CHIP)	470pF 50V K	チ ッ プ 積 層 セ ラ コ ン		065514	
C35	AAx6296R	CERAMIC CAPACITOR (CHIP)	27pF 50V J	チ ッ プ セ ラ コ ン		368358	
C37	AAx6296R	CERAMIC CAPACITOR (CHIP)	27pF 50V J	チ ッ プ セ ラ コ ン		368358	
C38	WJ592200	CERAMIC CAPACITOR (CHIP)	0.1uF 25V K	チ ッ プ セ ラ コ ン		374404	01
-40	WJ592200	CERAMIC CAPACITOR (CHIP)	0.1uF 25V K	チ ッ プ セ ラ コ ン		374404	01
C41	AAx6297R	ELECTROLYTIC CAP. (CHIP)	47uF 25V	チ ッ プ ケ ミ コ ン		412426	
C42	AAx6297R	ELECTROLYTIC CAP. (CHIP)	47uF 25V	チ ッ プ ケ ミ コ ン		412426	
* C43	WR959700	CERAMIC CAPACITOR (CHIP)	470pF 50V K	チ ッ プ 積 層 セ ラ コ ン		065514	
* C44	WR959700	CERAMIC CAPACITOR (CHIP)	470pF 50V K	チ ッ プ 積 層 セ ラ コ ン		065514	
C45	AAx6296R	CERAMIC CAPACITOR (CHIP)	27pF 50V J	チ ッ プ セ ラ コ ン		368358	
C47	AAx6296R	CERAMIC CAPACITOR (CHIP)	27pF 50V J	チ ッ プ セ ラ コ ン		368358	
C50	WJ592200	CERAMIC CAPACITOR (CHIP)	0.1uF 25V K	チ ッ プ セ ラ コ ン		374404	01

\*: New Parts

RANK: Japan only

REAR

REF NO.	PART NO.	DESCRIPTION	部 品 名	REMARKS	QTY	RANK	
C51	<b>AA</b> X6297R	ELECTROLYTIC CAP. (CHIP)	47uF 25V	チ ッ プ ケ ミ コ ン	412426		
C52	<b>AA</b> X6297R	ELECTROLYTIC CAP. (CHIP)	47uF 25V	チ ッ プ ケ ミ コ ン	412426		
* C53	<b>WR</b> 959700	CERAMIC CAPACITOR (CHIP)	470pF 50V K	チ ッ プ 積 層 セ ラ コ ン	065514		
* C54	<b>WR</b> 959700	CERAMIC CAPACITOR (CHIP)	470pF 50V K	チ ッ プ 積 層 セ ラ コ ン	065514		
C55	<b>AA</b> X6296R	CERAMIC CAPACITOR (CHIP)	27pF 50V J	チ ッ プ セ ラ コ ン	368358		
C57	<b>AA</b> X6296R	CERAMIC CAPACITOR (CHIP)	27pF 50V J	チ ッ プ セ ラ コ ン	368358		
C58	<b>WJ</b> 592200	CERAMIC CAPACITOR (CHIP)	0.1uF 25V K	チ ッ プ セ ラ コ ン	374404	01	
-60	<b>WJ</b> 592200	CERAMIC CAPACITOR (CHIP)	0.1uF 25V K	チ ッ プ セ ラ コ ン	374404	01	
C61	<b>AA</b> X6297R	ELECTROLYTIC CAP. (CHIP)	47uF 25V	チ ッ プ ケ ミ コ ン	412426		
C62	<b>AA</b> X6297R	ELECTROLYTIC CAP. (CHIP)	47uF 25V	チ ッ プ ケ ミ コ ン	412426		
* C63	<b>WR</b> 959700	CERAMIC CAPACITOR (CHIP)	470pF 50V K	チ ッ プ 積 層 セ ラ コ ン	065514		
* C64	<b>WR</b> 959700	CERAMIC CAPACITOR (CHIP)	470pF 50V K	チ ッ プ 積 層 セ ラ コ ン	065514		
C65	<b>AA</b> X6296R	CERAMIC CAPACITOR (CHIP)	27pF 50V J	チ ッ プ セ ラ コ ン	368358		
C67	<b>AA</b> X6296R	CERAMIC CAPACITOR (CHIP)	27pF 50V J	チ ッ プ セ ラ コ ン	368358		
C70	<b>WJ</b> 592200	CERAMIC CAPACITOR (CHIP)	0.1uF 25V K	チ ッ プ セ ラ コ ン	374404	01	
C71	<b>AA</b> X6297R	ELECTROLYTIC CAP. (CHIP)	47uF 25V	チ ッ プ ケ ミ コ ン	412426		
C72	<b>AA</b> X6297R	ELECTROLYTIC CAP. (CHIP)	47uF 25V	チ ッ プ ケ ミ コ ン	412426		
* C73	<b>WR</b> 959700	CERAMIC CAPACITOR (CHIP)	470pF 50V K	チ ッ プ 積 層 セ ラ コ ン	065514		
* C74	<b>WR</b> 959700	CERAMIC CAPACITOR (CHIP)	470pF 50V K	チ ッ プ 積 層 セ ラ コ ン	065514		
C75	<b>AA</b> X6296R	CERAMIC CAPACITOR (CHIP)	27pF 50V J	チ ッ プ セ ラ コ ン	368358		
C77	<b>AA</b> X6296R	CERAMIC CAPACITOR (CHIP)	27pF 50V J	チ ッ プ セ ラ コ ン	368358		
C78	<b>WJ</b> 592200	CERAMIC CAPACITOR (CHIP)	0.1uF 25V K	チ ッ プ セ ラ コ ン	374404	01	
-80	<b>WJ</b> 592200	CERAMIC CAPACITOR (CHIP)	0.1uF 25V K	チ ッ プ セ ラ コ ン	374404	01	
C81	<b>AA</b> X6297R	ELECTROLYTIC CAP. (CHIP)	47uF 25V	チ ッ プ ケ ミ コ ン	412426		
C82	<b>AA</b> X6297R	ELECTROLYTIC CAP. (CHIP)	47uF 25V	チ ッ プ ケ ミ コ ン	412426		
* C83	<b>WR</b> 959700	CERAMIC CAPACITOR (CHIP)	470pF 50V K	チ ッ プ 積 層 セ ラ コ ン	065514		
* C84	<b>WR</b> 959700	CERAMIC CAPACITOR (CHIP)	470pF 50V K	チ ッ プ 積 層 セ ラ コ ン	065514		
C85	<b>AA</b> X6296R	CERAMIC CAPACITOR (CHIP)	27pF 50V J	チ ッ プ セ ラ コ ン	368358		
C87	<b>AA</b> X6296R	CERAMIC CAPACITOR (CHIP)	27pF 50V J	チ ッ プ セ ラ コ ン	368358		
C91	<b>WJ</b> 592100	CERAMIC CAPACITOR (CHIP)	0.47uF K	チ ッ プ セ ラ コ ン	334335	03	
-94	<b>WJ</b> 592100	CERAMIC CAPACITOR (CHIP)	0.47uF K	チ ッ プ セ ラ コ ン	334335	03	
CN11	--	CONNECTOR	6P ME060-50806	コ ネ ク タ ー	INPUT CH (A-B)		
					484438 (WR96340)		
CN12	--	CONNECTOR BASE POST	10P B10B-PH-SM4-TB	コ ネ ク タ ー ベ ー ス ポ ス ト	484439 (WR96170)		
CN13	--	CONNECTOR BASE POST	12P B12B-PH-SM4-TB	コ ネ ク タ ー ベ ー ス ポ ス ト	485377 (WR96180)		
CN16	--	CONNECTOR BASE POST	3P B3B-PH-SM4-TB	コ ネ ク タ ー ベ ー ス ポ ス ト	402264 (WR96160)		
CN17	--	CONNECTOR BASE POST	40P 54132-4097	コ ネ ク タ ー ベ ー ス ポ ス ト	456881 (WR96350)		
CN18	<b>AA</b> X4369R	CONNECTOR BASE POST	2P B2P-VH	コ ネ ク タ ー 2 P	081661	02	
CN31	--	CONNECTOR	6P ME060-50806	コ ネ ク タ ー	INPUT CH (C-D)		
					484438 (WR96340)		
CN51	--	CONNECTOR	6P ME060-50806	コ ネ ク タ ー	INPUT CH (E-F)		
					484438 (WR96340)		
CN52	--	CONNECTOR BASE POST	10P B10B-PH-SM4-R-TB	コ ネ ク タ ー ベ ー ス ポ ス ト	484953 (WR96190)		
CN53	--	CONNECTOR BASE POST	12P B12B-PH-SM4-R-TB	コ ネ ク タ ー ベ ー ス ポ ス ト	485378 (WR96200)		
CN58	<b>AA</b> X4369R	CONNECTOR BASE POST	2P B2P-VH	コ ネ ク タ ー 2 P	081661	02	
CN71	--	CONNECTOR	6P ME060-50806	コ ネ ク タ ー	INPUT CH (G-H)		
					484438 (WR96340)		
D11	<b>XX</b> 698570	DIODE (CHIP)	1SS355 TE-17	ダ イ オ ー ド	069444	01	
D12	<b>WP</b> 067100	DIODE	RB501V-40TE-17 T	ダ イ オ ー ド	469850	02	
D13	<b>XX</b> 698570	DIODE (CHIP)	1SS355 TE-17	ダ イ オ ー ド	069444	01	
D14	<b>WP</b> 067100	DIODE	RB501V-40TE-17 T	ダ イ オ ー ド	469850	02	
IC11	<b>AA</b> X6275R	IC	NJM2068M-D TE1		C OP AMP	070170	04
IC31	<b>AA</b> X6275R	IC	NJM2068M-D TE1		C OP AMP	070170	04
IC51	<b>AA</b> X6275R	IC	NJM2068M-D TE1		C OP AMP	070170	04
IC71	<b>AA</b> X6275R	IC	NJM2068M-D TE1		C OP AMP	070170	04
* IC91	<b>YA</b> 877A00	IC	NJM78L08UA TE1		C REGULATOR	070403	
* IC92	<b>YA</b> 878A00	IC	NJM79L08UA TE1		C REGULATOR	070452	
* L1	<b>WR</b> 985500	CHIP INDUCTOR	ACM4532-102-3P-T001	チ ッ プ イ ン ダ ク タ ー	485380		
* -8	<b>WR</b> 985500	CHIP INDUCTOR	ACM4532-102-3P-T001	チ ッ プ イ ン ダ ク タ ー	485380		
L11	<b>WJ</b> 594200	COIL	MMZ1608A152ET T LF	コ イ ル	436042	01	
L12	<b>WJ</b> 594200	COIL	MMZ1608A152ET T LF	コ イ ル	436042	01	
L21	<b>WJ</b> 594200	COIL	MMZ1608A152ET T LF	コ イ ル	436042	01	
L22	<b>WJ</b> 594200	COIL	MMZ1608A152ET T LF	コ イ ル	436042	01	
L31	<b>WJ</b> 594200	COIL	MMZ1608A152ET T LF	コ イ ル	436042	01	
L32	<b>WJ</b> 594200	COIL	MMZ1608A152ET T LF	コ イ ル	436042	01	
L41	<b>WJ</b> 594200	COIL	MMZ1608A152ET T LF	コ イ ル	436042	01	
L42	<b>WJ</b> 594200	COIL	MMZ1608A152ET T LF	コ イ ル	436042	01	
L51	<b>WJ</b> 594200	COIL	MMZ1608A152ET T LF	コ イ ル	436042	01	
L52	<b>WJ</b> 594200	COIL	MMZ1608A152ET T LF	コ イ ル	436042	01	
L61	<b>WJ</b> 594200	COIL	MMZ1608A152ET T LF	コ イ ル	436042	01	

\* : New Parts

RANK: Japan only

REAR

REF NO.	PART NO.	DESCRIPTION	部 品 名	REMARKS	QTY	RANK
L62	WJ594200	COIL	MMZ1608A152ET T LF	コ イ ル	436042	01
L71	WJ594200	COIL	MMZ1608A152ET T LF	コ イ ル	436042	01
L72	WJ594200	COIL	MMZ1608A152ET T LF	コ イ ル	436042	01
L81	WJ594200	COIL	MMZ1608A152ET T LF	コ イ ル	436042	01
L82	WJ594200	COIL	MMZ1608A152ET T LF	コ イ ル	436042	01
P100	XX698880	LUG TERMINAL	MET37-0001	ラ グ 端 子	075878	02
-103	XX698880	LUG TERMINAL	MET37-0001	ラ グ 端 子	075878	02
R11	AA6315R	CARBON RESISTOR (CHIP)	10 J	チ ッ プ 抵 抗	067492	01
R12	AA6315R	CARBON RESISTOR (CHIP)	10 J	チ ッ プ 抵 抗	067492	01
R13	AA6288R	CARBON RESISTOR (CHIP)	10K J	チ ッ プ 抵 抗	067497	03
R14	AA6288R	CARBON RESISTOR (CHIP)	10K J	チ ッ プ 抵 抗	067497	03
R15	WJ606700	CARBON RESISTOR (CHIP)	6.8K J	チ ッ プ 抵 抗	067558	01
R16	WJ606700	CARBON RESISTOR (CHIP)	6.8K J	チ ッ プ 抵 抗	067558	01
R17	AA6315R	CARBON RESISTOR (CHIP)	10 J	チ ッ プ 抵 抗	067492	01
R18	WJ599500	CARBON RESISTOR (CHIP)	100 J	チ ッ プ 抵 抗	067493	01
R21	AA6315R	CARBON RESISTOR (CHIP)	10 J	チ ッ プ 抵 抗	067492	01
R22	AA6315R	CARBON RESISTOR (CHIP)	10 J	チ ッ プ 抵 抗	067492	01
R23	AA6288R	CARBON RESISTOR (CHIP)	10K J	チ ッ プ 抵 抗	067497	03
R24	AA6288R	CARBON RESISTOR (CHIP)	10K J	チ ッ プ 抵 抗	067497	03
R25	WJ606700	CARBON RESISTOR (CHIP)	6.8K J	チ ッ プ 抵 抗	067558	01
R26	WJ606700	CARBON RESISTOR (CHIP)	6.8K J	チ ッ プ 抵 抗	067558	01
R27	AA6315R	CARBON RESISTOR (CHIP)	10 J	チ ッ プ 抵 抗	067492	01
R31	AA6315R	CARBON RESISTOR (CHIP)	10 J	チ ッ プ 抵 抗	067492	01
R32	AA6315R	CARBON RESISTOR (CHIP)	10 J	チ ッ プ 抵 抗	067492	01
R33	AA6288R	CARBON RESISTOR (CHIP)	10K J	チ ッ プ 抵 抗	067497	03
R34	AA6288R	CARBON RESISTOR (CHIP)	10K J	チ ッ プ 抵 抗	067497	03
R35	WJ606700	CARBON RESISTOR (CHIP)	6.8K J	チ ッ プ 抵 抗	067558	01
R36	WJ606700	CARBON RESISTOR (CHIP)	6.8K J	チ ッ プ 抵 抗	067558	01
R37	AA6315R	CARBON RESISTOR (CHIP)	10 J	チ ッ プ 抵 抗	067492	01
R38	WJ599500	CARBON RESISTOR (CHIP)	100 J	チ ッ プ 抵 抗	067493	01
R41	AA6315R	CARBON RESISTOR (CHIP)	10 J	チ ッ プ 抵 抗	067492	01
R42	AA6315R	CARBON RESISTOR (CHIP)	10 J	チ ッ プ 抵 抗	067492	01
R43	AA6288R	CARBON RESISTOR (CHIP)	10K J	チ ッ プ 抵 抗	067497	03
R44	AA6288R	CARBON RESISTOR (CHIP)	10K J	チ ッ プ 抵 抗	067497	03
R45	WJ606700	CARBON RESISTOR (CHIP)	6.8K J	チ ッ プ 抵 抗	067558	01
R46	WJ606700	CARBON RESISTOR (CHIP)	6.8K J	チ ッ プ 抵 抗	067558	01
R47	AA6315R	CARBON RESISTOR (CHIP)	10 J	チ ッ プ 抵 抗	067492	01
R51	AA6315R	CARBON RESISTOR (CHIP)	10 J	チ ッ プ 抵 抗	067492	01
R52	AA6315R	CARBON RESISTOR (CHIP)	10 J	チ ッ プ 抵 抗	067492	01
R53	AA6288R	CARBON RESISTOR (CHIP)	10K J	チ ッ プ 抵 抗	067497	03
R54	AA6288R	CARBON RESISTOR (CHIP)	10K J	チ ッ プ 抵 抗	067497	03
R55	WJ606700	CARBON RESISTOR (CHIP)	6.8K J	チ ッ プ 抵 抗	067558	01
R56	WJ606700	CARBON RESISTOR (CHIP)	6.8K J	チ ッ プ 抵 抗	067558	01
R57	AA6315R	CARBON RESISTOR (CHIP)	10 J	チ ッ プ 抵 抗	067492	01
R58	WJ599500	CARBON RESISTOR (CHIP)	100 J	チ ッ プ 抵 抗	067493	01
R61	AA6315R	CARBON RESISTOR (CHIP)	10 J	チ ッ プ 抵 抗	067492	01
R62	AA6315R	CARBON RESISTOR (CHIP)	10 J	チ ッ プ 抵 抗	067492	01
R63	AA6288R	CARBON RESISTOR (CHIP)	10K J	チ ッ プ 抵 抗	067497	03
R64	AA6288R	CARBON RESISTOR (CHIP)	10K J	チ ッ プ 抵 抗	067497	03
R65	WJ606700	CARBON RESISTOR (CHIP)	6.8K J	チ ッ プ 抵 抗	067558	01
R66	WJ606700	CARBON RESISTOR (CHIP)	6.8K J	チ ッ プ 抵 抗	067558	01
R67	AA6315R	CARBON RESISTOR (CHIP)	10 J	チ ッ プ 抵 抗	067492	01
R71	AA6315R	CARBON RESISTOR (CHIP)	10 J	チ ッ プ 抵 抗	067492	01
R72	AA6315R	CARBON RESISTOR (CHIP)	10 J	チ ッ プ 抵 抗	067492	01
R73	AA6288R	CARBON RESISTOR (CHIP)	10K J	チ ッ プ 抵 抗	067497	03
R74	AA6288R	CARBON RESISTOR (CHIP)	10K J	チ ッ プ 抵 抗	067497	03
R75	WJ606700	CARBON RESISTOR (CHIP)	6.8K J	チ ッ プ 抵 抗	067558	01
R76	WJ606700	CARBON RESISTOR (CHIP)	6.8K J	チ ッ プ 抵 抗	067558	01
R77	AA6315R	CARBON RESISTOR (CHIP)	10 J	チ ッ プ 抵 抗	067492	01
R78	WJ599500	CARBON RESISTOR (CHIP)	100 J	チ ッ プ 抵 抗	067493	01
R81	AA6315R	CARBON RESISTOR (CHIP)	10 J	チ ッ プ 抵 抗	067492	01
R82	AA6315R	CARBON RESISTOR (CHIP)	10 J	チ ッ プ 抵 抗	067492	01
R83	AA6288R	CARBON RESISTOR (CHIP)	10K J	チ ッ プ 抵 抗	067497	03
R84	AA6288R	CARBON RESISTOR (CHIP)	10K J	チ ッ プ 抵 抗	067497	03
R85	WJ606700	CARBON RESISTOR (CHIP)	6.8K J	チ ッ プ 抵 抗	067558	01
R86	WJ606700	CARBON RESISTOR (CHIP)	6.8K J	チ ッ プ 抵 抗	067558	01
R87	AA6315R	CARBON RESISTOR (CHIP)	10 J	チ ッ プ 抵 抗	067492	01
* S11	WR971900	SLIDE SWITCH	SS-43D28-G6NS	ス ラ イ ド S W	484457	
* S12	WR971700	SLIDE SWITCH	SSSF014800	ス ラ イ ド S W	416849	
* S13	WR971700	SLIDE SWITCH	SSSF014800	ス ラ イ ド S W	416849	

\* : New Parts

RANK: Japan only

**REAR**

REF NO.	PART NO.	DESCRIPTION		部 品 名	REMARKS	QTY	RANK
* S31	WR971900	SLIDE SWITCH	SS-43D28-G6NS	ス ラ イ ド S W		484457	
* S51	WR971900	SLIDE SWITCH	SS-43D28-G6NS	ス ラ イ ド S W		484457	
* S71	WR971900	SLIDE SWITCH	SS-43D28-G6NS	ス ラ イ ド S W		484457	
ZN11	AA6319R	VARISTOR	AVR-M1608C270KT2AB	バ リ ス タ		374351	02
ZN12	AA6319R	VARISTOR	AVR-M1608C270KT2AB	バ リ ス タ		374351	02
* ZN13	WR959700	CERAMIC CAPACITOR (CHIP)	470pF 50V K	チ ッ プ 積 層 セ ラ コ ン		065514	
* ZN14	WR959700	CERAMIC CAPACITOR (CHIP)	470pF 50V K	チ ッ プ 積 層 セ ラ コ ン		065514	
ZN21	AA6319R	VARISTOR	AVR-M1608C270KT2AB	バ リ ス タ		374351	02
ZN22	AA6319R	VARISTOR	AVR-M1608C270KT2AB	バ リ ス タ		374351	02
* ZN23	WR959700	CERAMIC CAPACITOR (CHIP)	470pF 50V K	チ ッ プ 積 層 セ ラ コ ン		065514	
* ZN24	WR959700	CERAMIC CAPACITOR (CHIP)	470pF 50V K	チ ッ プ 積 層 セ ラ コ ン		065514	
ZN31	AA6319R	VARISTOR	AVR-M1608C270KT2AB	バ リ ス タ		374351	02
ZN32	AA6319R	VARISTOR	AVR-M1608C270KT2AB	バ リ ス タ		374351	02
ZN33	WR959700	CERAMIC CAPACITOR (CHIP)	470pF 50V K	チ ッ プ 積 層 セ ラ コ ン		065514	
* ZN34	WR959700	CERAMIC CAPACITOR (CHIP)	470pF 50V K	チ ッ プ 積 層 セ ラ コ ン		065514	
ZN41	AA6319R	VARISTOR	AVR-M1608C270KT2AB	バ リ ス タ		374351	02
ZN42	AA6319R	VARISTOR	AVR-M1608C270KT2AB	バ リ ス タ		374351	02
* ZN43	WR959700	CERAMIC CAPACITOR (CHIP)	470pF 50V K	チ ッ プ 積 層 セ ラ コ ン		065514	
* ZN44	WR959700	CERAMIC CAPACITOR (CHIP)	470pF 50V K	チ ッ プ 積 層 セ ラ コ ン		065514	
ZN51	AA6319R	VARISTOR	AVR-M1608C270KT2AB	バ リ ス タ		374351	02
ZN52	AA6319R	VARISTOR	AVR-M1608C270KT2AB	バ リ ス タ		374351	02
* ZN53	WR959700	CERAMIC CAPACITOR (CHIP)	470pF 50V K	チ ッ プ 積 層 セ ラ コ ン		065514	
* ZN54	WR959700	CERAMIC CAPACITOR (CHIP)	470pF 50V K	チ ッ プ 積 層 セ ラ コ ン		065514	
ZN61	AA6319R	VARISTOR	AVR-M1608C270KT2AB	バ リ ス タ		374351	02
ZN62	AA6319R	VARISTOR	AVR-M1608C270KT2AB	バ リ ス タ		374351	02
* ZN63	WR959700	CERAMIC CAPACITOR (CHIP)	470pF 50V K	チ ッ プ 積 層 セ ラ コ ン		065514	
* ZN64	WR959700	CERAMIC CAPACITOR (CHIP)	470pF 50V K	チ ッ プ 積 層 セ ラ コ ン		065514	
ZN71	AA6319R	VARISTOR	AVR-M1608C270KT2AB	バ リ ス タ		374351	02
ZN72	AA6319R	VARISTOR	AVR-M1608C270KT2AB	バ リ ス タ		374351	02
* ZN73	WR959700	CERAMIC CAPACITOR (CHIP)	470pF 50V K	チ ッ プ 積 層 セ ラ コ ン		065514	
* ZN74	WR959700	CERAMIC CAPACITOR (CHIP)	470pF 50V K	チ ッ プ 積 層 セ ラ コ ン		065514	
ZN81	AA6319R	VARISTOR	AVR-M1608C270KT2AB	バ リ ス タ		374351	02
ZN82	AA6319R	VARISTOR	AVR-M1608C270KT2AB	バ リ ス タ		374351	02
* ZN83	WR959700	CERAMIC CAPACITOR (CHIP)	470pF 50V K	チ ッ プ 積 層 セ ラ コ ン		065514	
* ZN84	WR959700	CERAMIC CAPACITOR (CHIP)	470pF 50V K	チ ッ プ 積 層 セ ラ コ ン		065514	

\* : New Parts

RANK: Japan only

# POWER AMPLIFIER

# IPA 8200

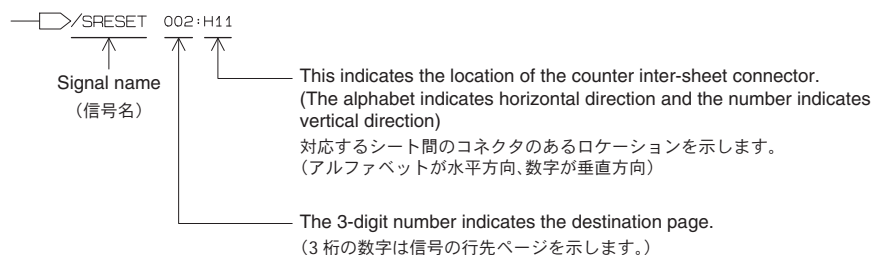
# CIRCUIT DIAGRAM

## ■ CONTENTS (目次)

IC & DIODE FIGURES (外形図) .....	2
WIRING DIAGRAM (基板結線図) .....	3
BLOCK DIAGRAM (ブロックダイアグラム) .....	4
CIRCUIT DIAGRAM (回路図)	
REAR 1/3 .....	5
REAR 2/3 .....	6
REAR 3/3 .....	7
FRONT 1/4 .....	8
FRONT 2/4 .....	9
FRONT 3/4 .....	10
FRONT 4/4 .....	11
MOTHER A-D 1/2 .....	12
MOTHER A-D 2/2 .....	13
MOTHER E-H 1/2 .....	14
MOTHER E-H 2/2 .....	15
AMP .....	16
INPUT POWER .....	17
POWER .....	18
CONNECTOR, LED .....	19

## Notation for Circuit Diagrams (回路図表記上の注意)

How to identify inter-sheet connectors (シート間コネクタの読み方について)

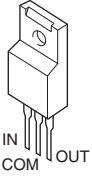
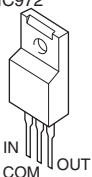
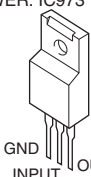
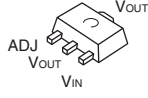
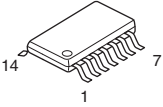
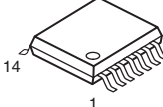
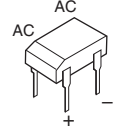
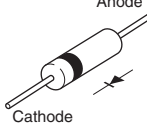
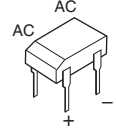
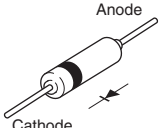
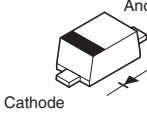
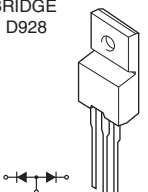
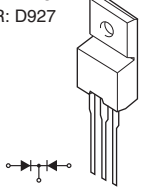
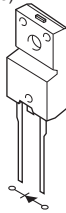
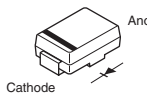
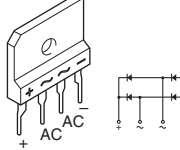
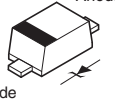


## ■ WARNING (注意)

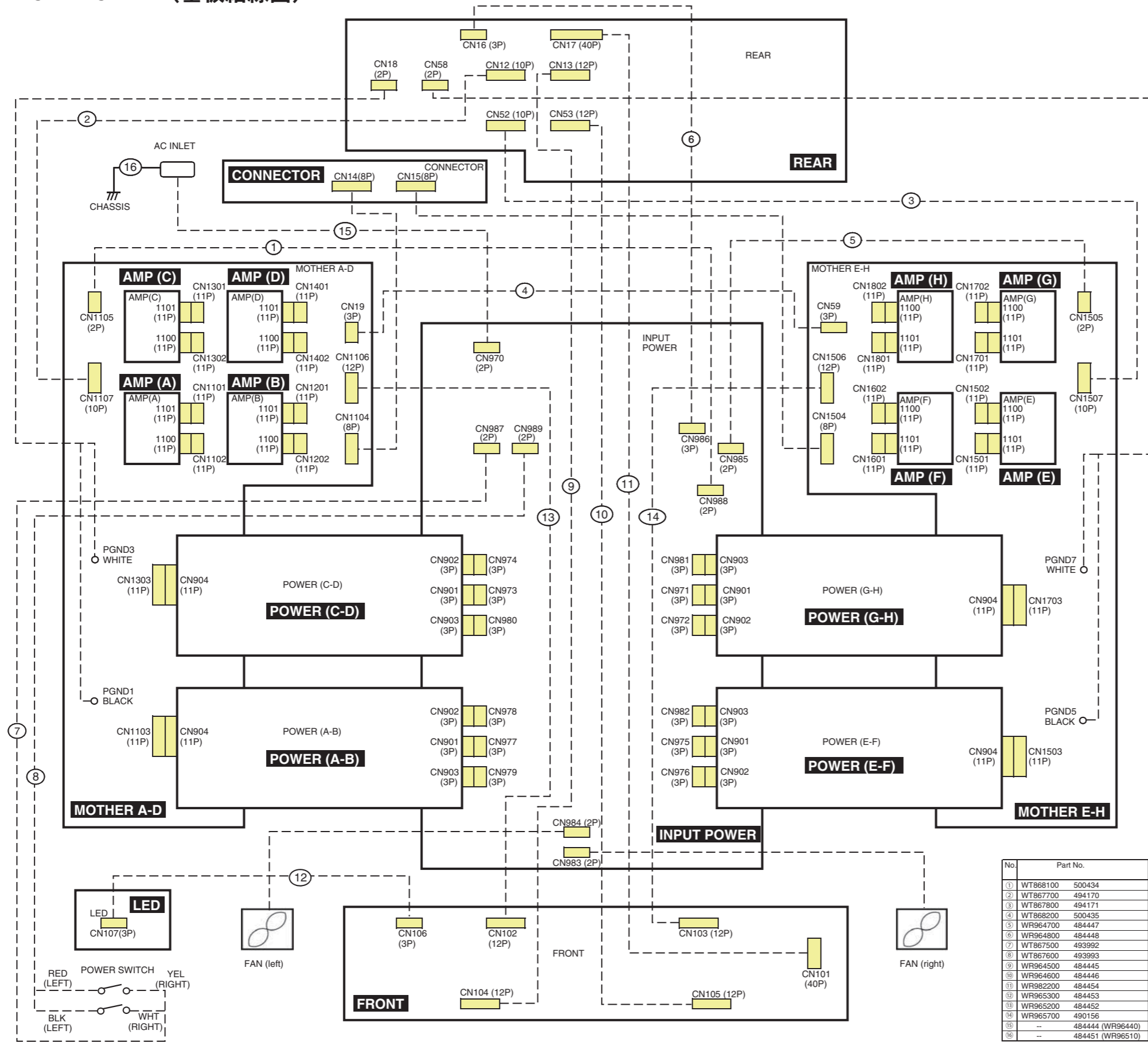
Components having special characteristics are marked  $\triangle$  and must be replaced with parts having specification equal to those originally installed.

$\triangle$  印の商品は、安全を維持するために重要な部品です。交換する場合は、安全のために必ず指定の部品をご使用ください。

## ■ IC & DIODE FIGURES (外形図)

<ul style="list-style-type: none"> <li>• KIA7812API-U/P (YA882A00) REGULATOR POWER: IC903</li> </ul> 	<ul style="list-style-type: none"> <li>• KIA7815API-U/P (AAX6364R) REGULATOR INPUT POWER: IC972</li> </ul> 	<ul style="list-style-type: none"> <li>• KIA7915PI-U/P (AAX6366R) REGULATOR INPUT POWER: IC973</li> </ul> 	<ul style="list-style-type: none"> <li>• LM317EMPX/NOPB (YC319A00) REGULATOR MOTHER E-H: IC1</li> </ul> 
<ul style="list-style-type: none"> <li>• TC74VCX04FK (YC320A00) INVERTER MOTHER E-H: IC2</li> </ul> 	<ul style="list-style-type: none"> <li>• NJU4066BV TE1 (YA884A00) ANALOG SWITCH FRONT: IC103, 203, 303, 403, IC503, 603, 703</li> </ul> 		
<ul style="list-style-type: none"> <li>• 1N5406 (WR972100) DIODE POWER: D904</li> </ul>	<ul style="list-style-type: none"> <li>• SFR1T6 T (WP914400) DIODE INPUT POWER: D974 POWER: D902, 903</li> </ul>	<ul style="list-style-type: none"> <li>• DB106G (WR972500) DIODE INPUT POWER: D972</li> </ul> 	
<ul style="list-style-type: none"> <li>• AL01Z (WR972300) DIODE INPUT POWER: D976, 977, 981, D982, 989-992 POWER: D921-924</li> </ul>	<ul style="list-style-type: none"> <li>• SRT14A1-T-LF (WP043100) DIODE INPUT POWER: D985, 986 POWER: D907, 915, 916, 926</li> </ul> 		
<ul style="list-style-type: none"> <li>• 1SS133 (AAX4255R) DIODE INPUT POWER: D971, 983, 984 POWER: D910, 925</li> </ul>	<ul style="list-style-type: none"> <li>• 1SS140 (WR972200) DIODE POWER: D906</li> </ul> 	<ul style="list-style-type: none"> <li>• MTZJ15B (WR973600) ZENER DIODE INPUT POWER: D973</li> </ul>	
<ul style="list-style-type: none"> <li>• 1SS355 TE-17 (XX698570) DIODE REAR: D11, 13 MOTHER A-D: D1102-1106, 1206, D1302-1306, 1406 MOTHER E-H: D1, 2, 1502-1506, 1606, D1702-1706, 1806 INPUT POWER: D975 POWER: D913, 914, 929, 930, 935</li> </ul>	<ul style="list-style-type: none"> <li>• RB501V-40 TE-417 T (WP067100) DIODE REAR: D12, 14</li> </ul> 	<ul style="list-style-type: none"> <li>• FMG-22R 10A (WN964200) DIODE BRIDGE POWER: D928</li> </ul> 	
<ul style="list-style-type: none"> <li>• FMG-22S 10A (WN959300) DIODE BRIDGE POWER: D927</li> </ul> 	<ul style="list-style-type: none"> <li>• FMX-G26S (WR972400) DIODE POWER: D905</li> </ul> 	<ul style="list-style-type: none"> <li>• P4SMA250A-E3/61 (WR972700) DIODE INPUT POWER: D988 POWER: D908, 909</li> </ul> 	<ul style="list-style-type: none"> <li>• RBV-606 6.0A 600V (WR972000) DIODE STACK POWER: D901</li> </ul> 
<ul style="list-style-type: none"> <li>• UDZS5.6B TE-17 (WP899000) ZENER DIODE MOTHER A-D: D1109, 1209, 1309, 1409 MOTHER E-H: D1509, 1609, 1709, 1809</li> </ul>	<ul style="list-style-type: none"> <li>• UDZS8.2B 8.2V (WR966100) ZENER DIODE POWER: D912</li> </ul>	<ul style="list-style-type: none"> <li>• UDZS36B 36V (WR966200) ZENER DIODE POWER: D931-934</li> </ul> 	

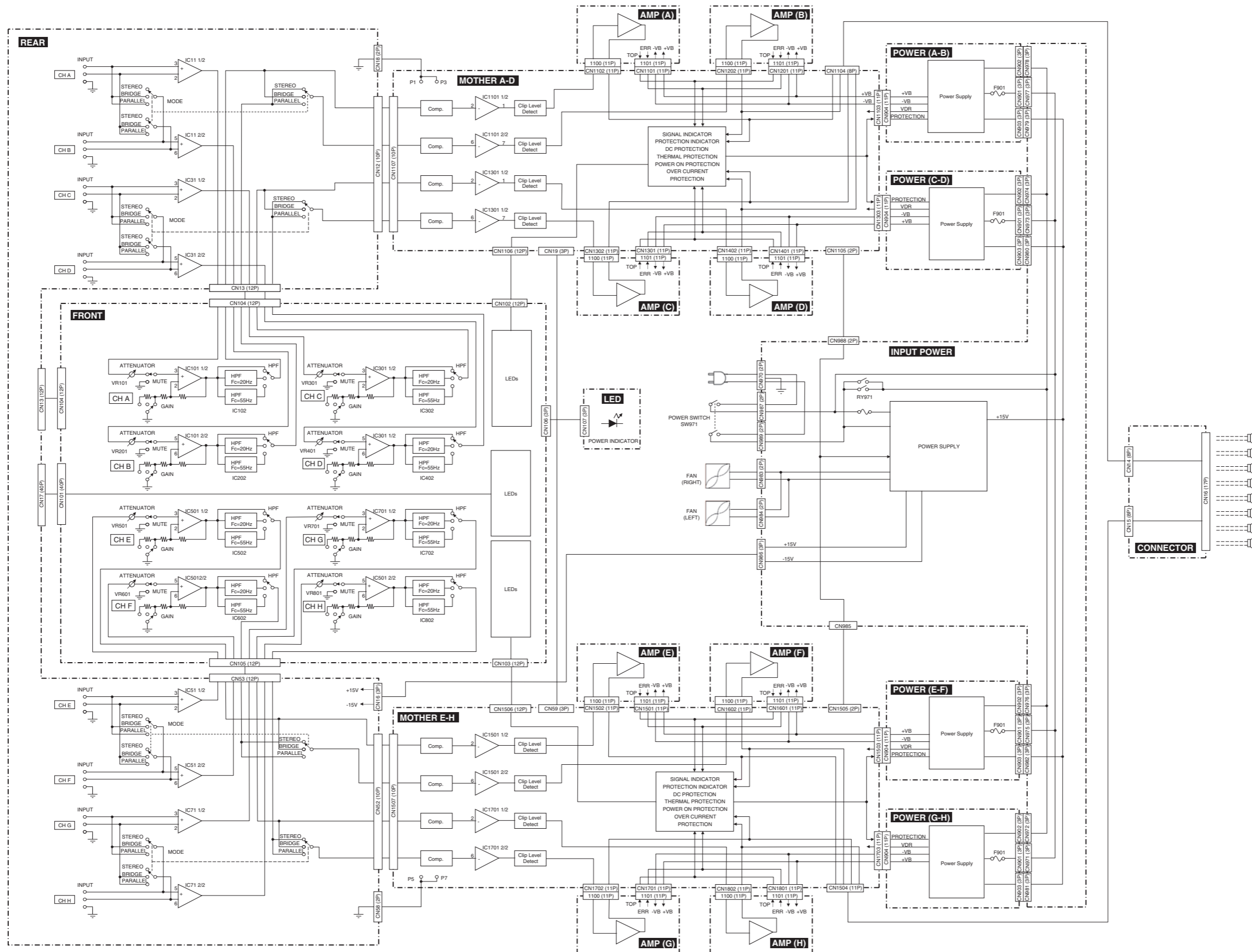
■ WIRING DIAGRAM (基板結線図)



No.	Part No.	Assembly Name 組立名	Remarks 備考	Location
①	WT868100 500434	CONNECTOR ASSEMBLY	束線 PH-PH 2P-380	OVERALL ASSEMBLY 54
②	WT867700 494170	CONNECTOR ASSEMBLY	束線 PH-PH 10P-A	OVERALL ASSEMBLY 55
③	WT867800 494171	CONNECTOR ASSEMBLY	束線 PH-PH 10P-B	OVERALL ASSEMBLY 56
④	WT868200 500435	CONNECTOR ASSEMBLY	束線 ZH-ZH 1P3 340	OVERALL ASSEMBLY 57
⑤	WR964700 484447	CONNECTOR ASSEMBLY	束線 PH-PH 2P XM8	OVERALL ASSEMBLY 58
⑥	WR964800 484448	CONNECTOR ASSEMBLY	束線 PH-PH 3P XM8	OVERALL ASSEMBLY 68
⑦	WT867500 493992	CONNECTOR ASSEMBLY	束線 VH-STO A3M4A (Y/W)	OVERALL ASSEMBLY 83b
⑧	WT867600 493993	CONNECTOR ASSEMBLY	束線 VH-STO A3M4B (R/B)	OVERALL ASSEMBLY 83c
⑨	WR964500 484445	CONNECTOR ASSEMBLY	束線 PH-PH 12P-A	FRONT CIRCUIT BOARD ASSEMBLY 8
⑩	WR964600 484446	CONNECTOR ASSEMBLY	束線 PH-PH 12P-B	FRONT CIRCUIT BOARD ASSEMBLY 9
⑪	WR982200 484454	FFC CABLE	FFCケーブル XM8 LF	FRONT CIRCUIT BOARD ASSEMBLY 10
⑫	WR965300 484453	CONNECTOR ASSEMBLY	束線 ZH-ZH 2P3 XM8	FRONT CIRCUIT BOARD ASSEMBLY 11
⑬	WR965200 484452	CONNECTOR ASSEMBLY	束線 ZH-ZH 12P-A XM8	FRONT CIRCUIT BOARD ASSEMBLY 12
⑭	WR965700 490156	CONNECTOR ASSEMBLY	束線 ZH-ZH 12P-B XM8	FRONT CIRCUIT BOARD ASSEMBLY 13
⑮	-- 484444 (WR96440)	CONNECTOR ASSEMBLY	束線 VH2P3-A XM8 (BE/BR)	AC INLET ASSEMBLY 1
⑯	-- 484451 (WR96510)	CORD ASSEMBLY	束線 XM8 (GN/YL)	AC INLET ASSEMBLY 2

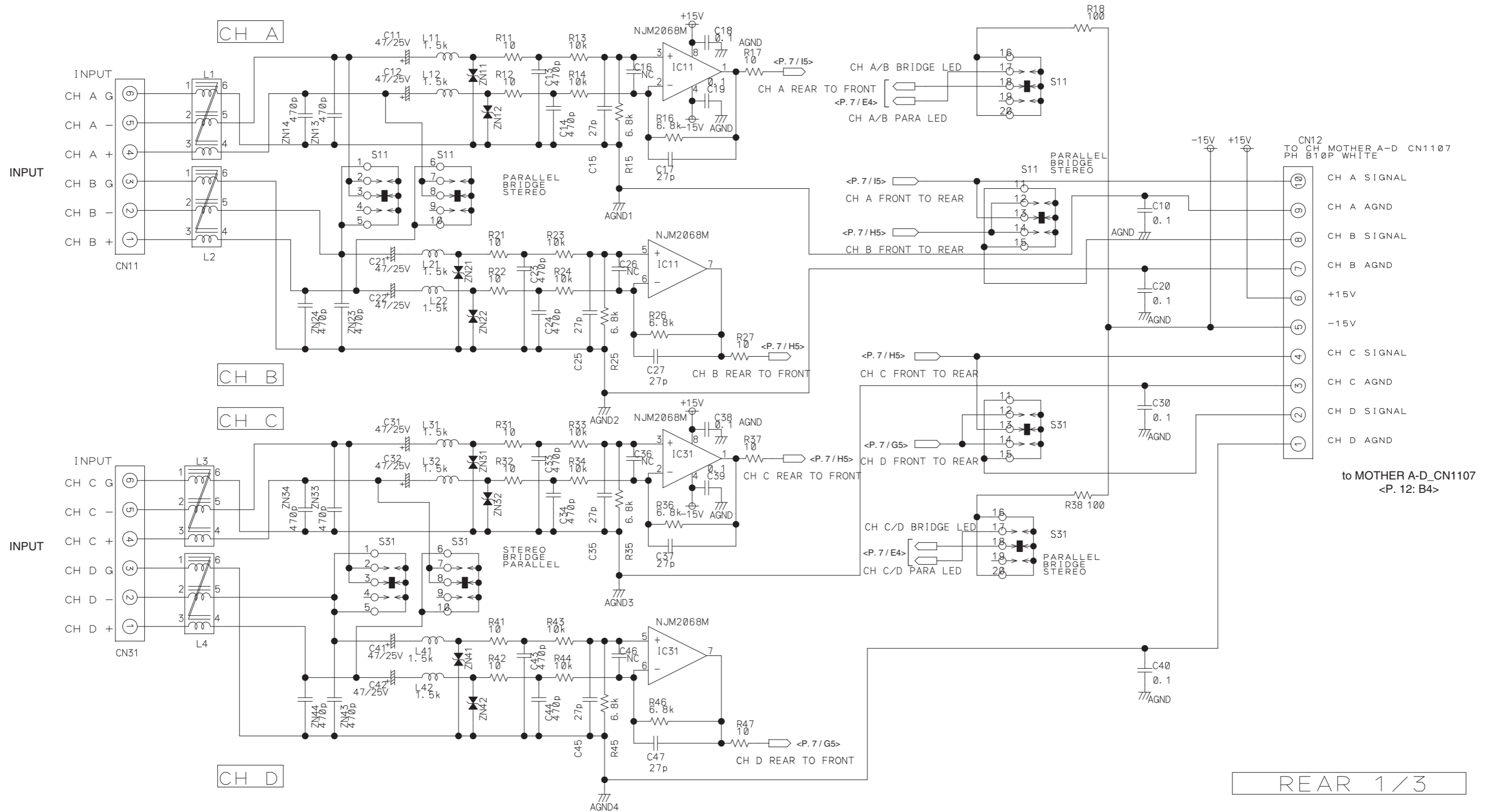


# BLOCK DIAGRAM (ブロックダイアグラム)



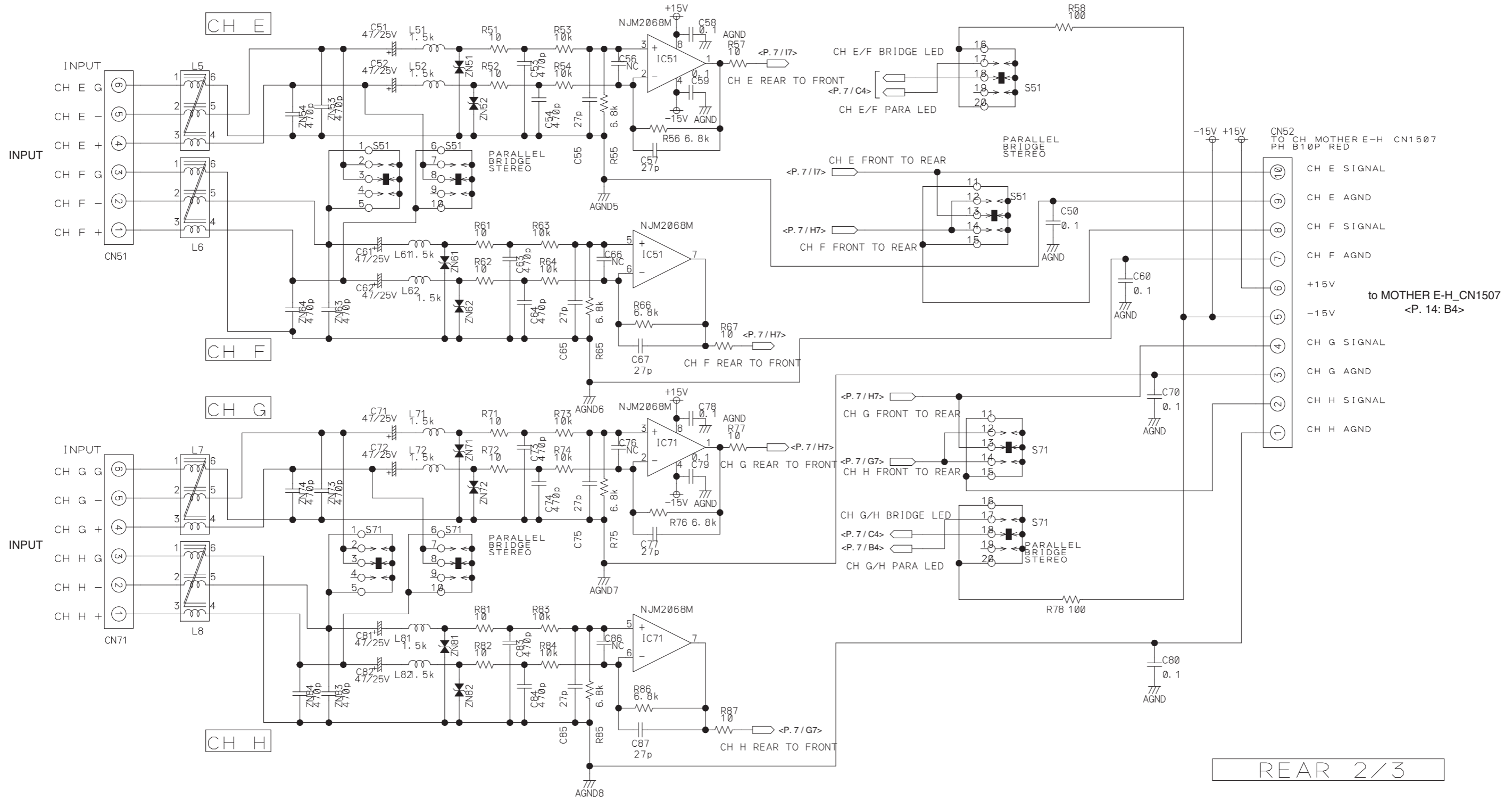
# ■ CIRCUIT DIAGRAM (回路図)

## REAR 1/3



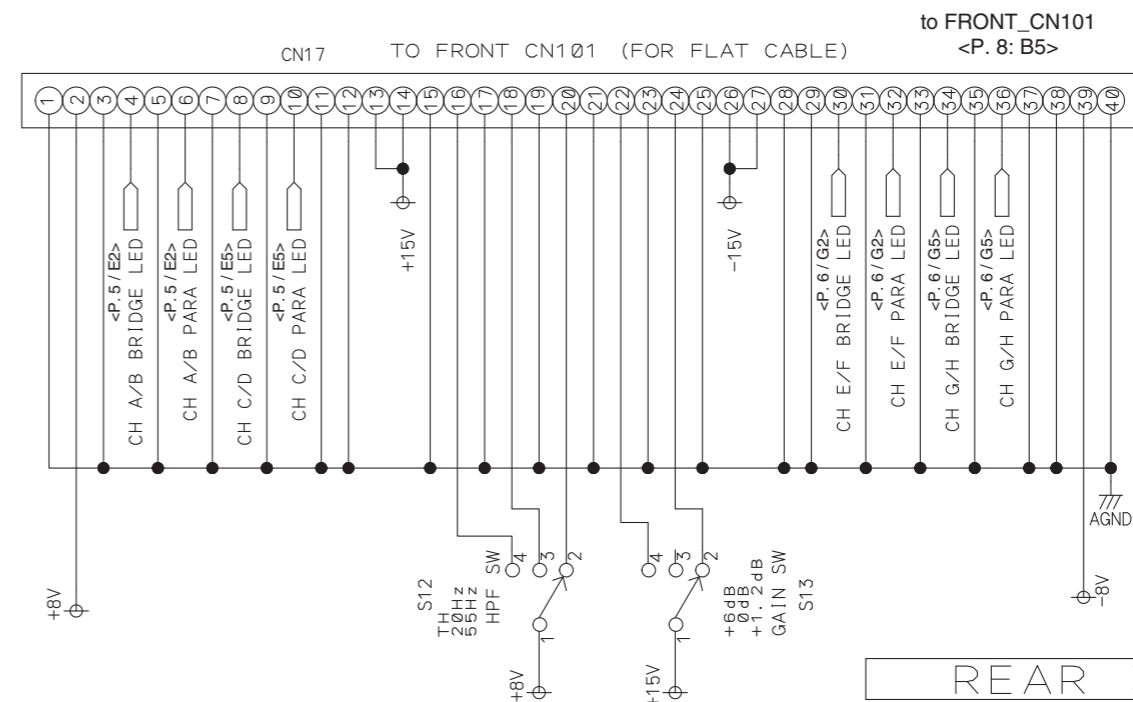
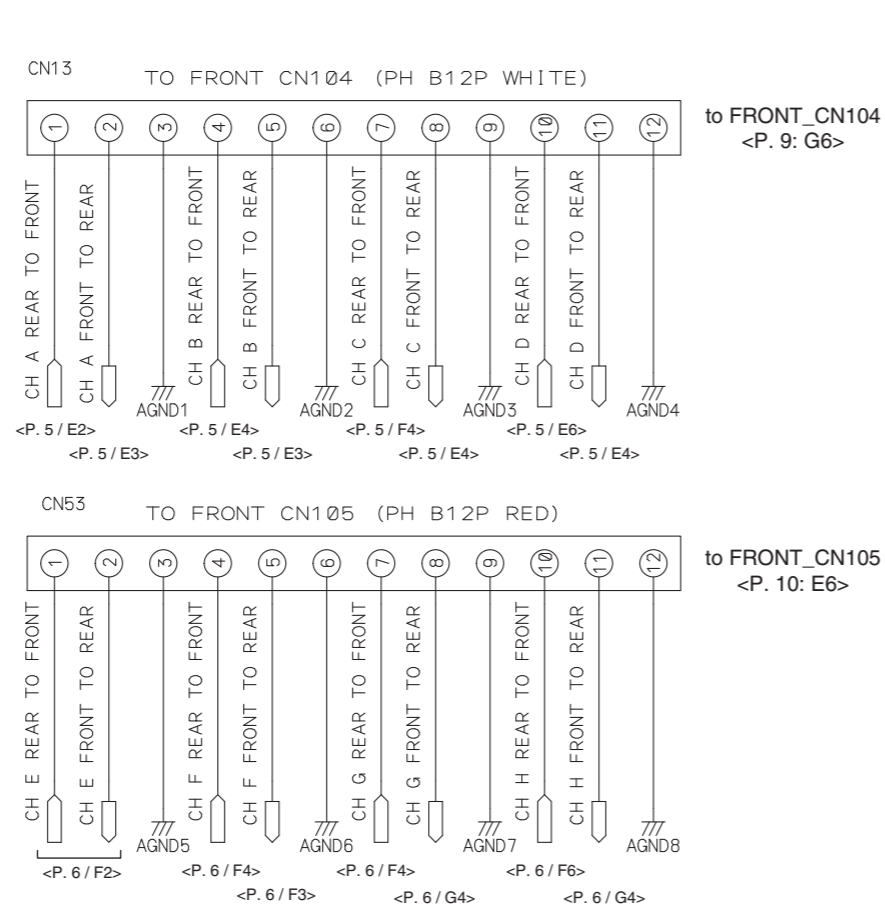
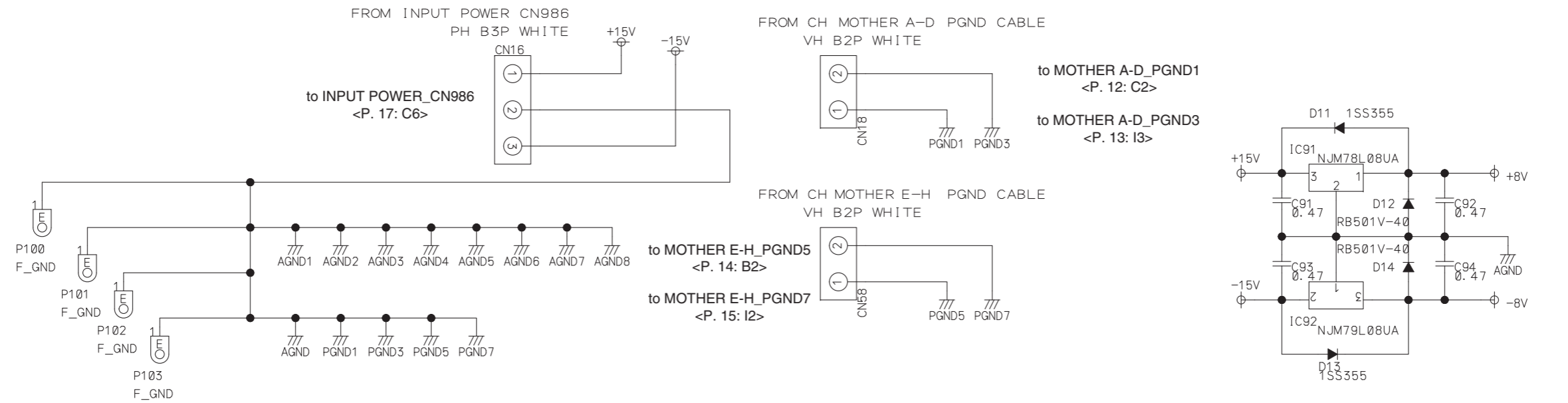
REAR 1/3

REAR 2/3



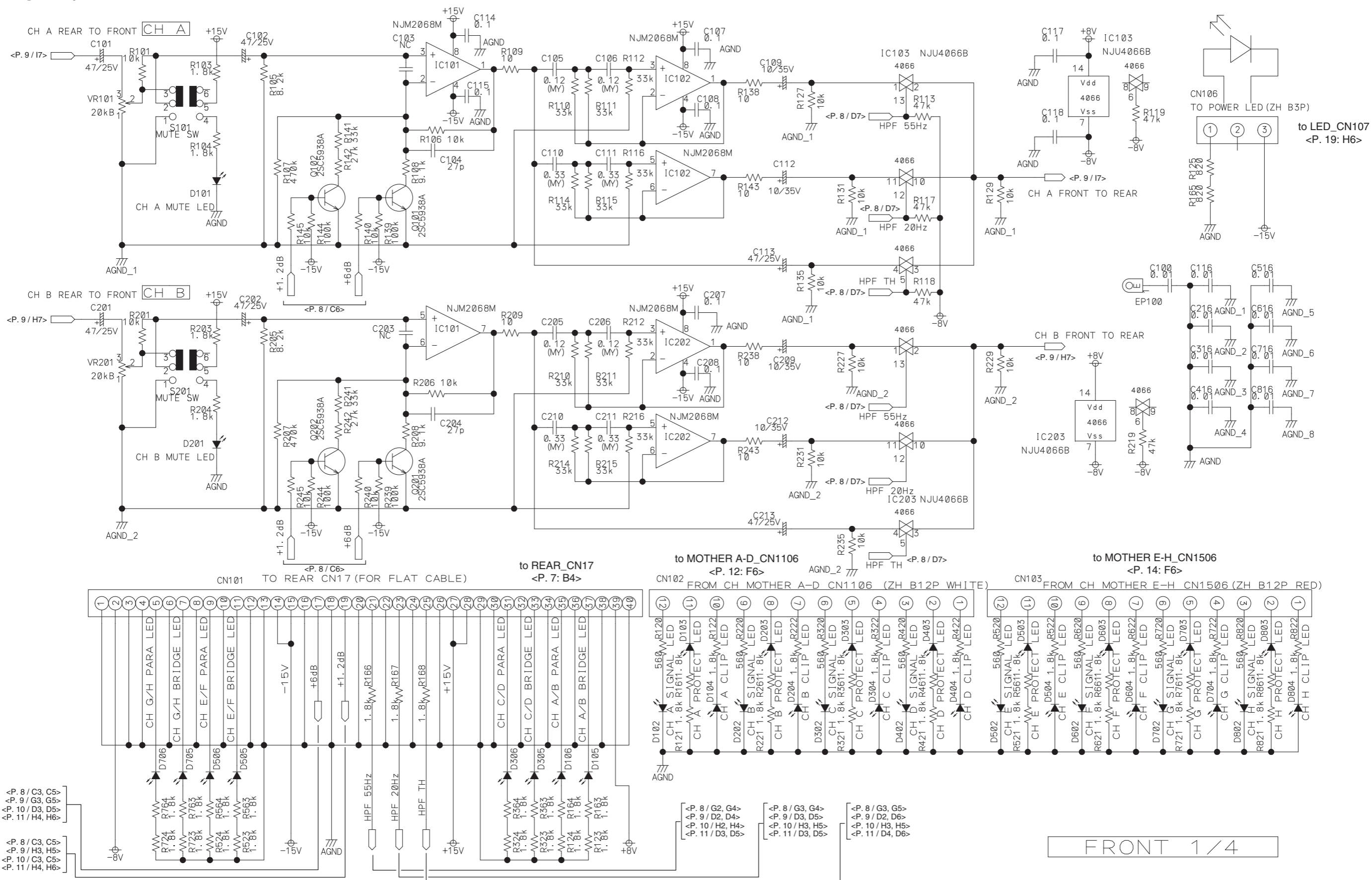
REAR 2/3

REAR 3/3



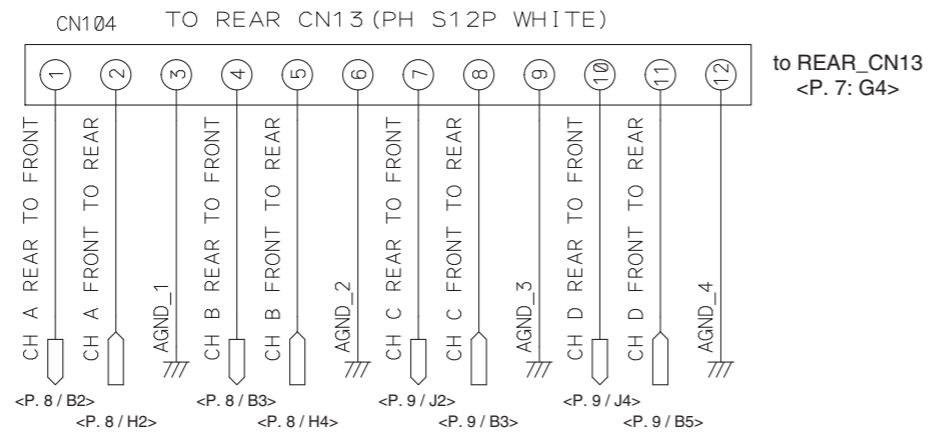
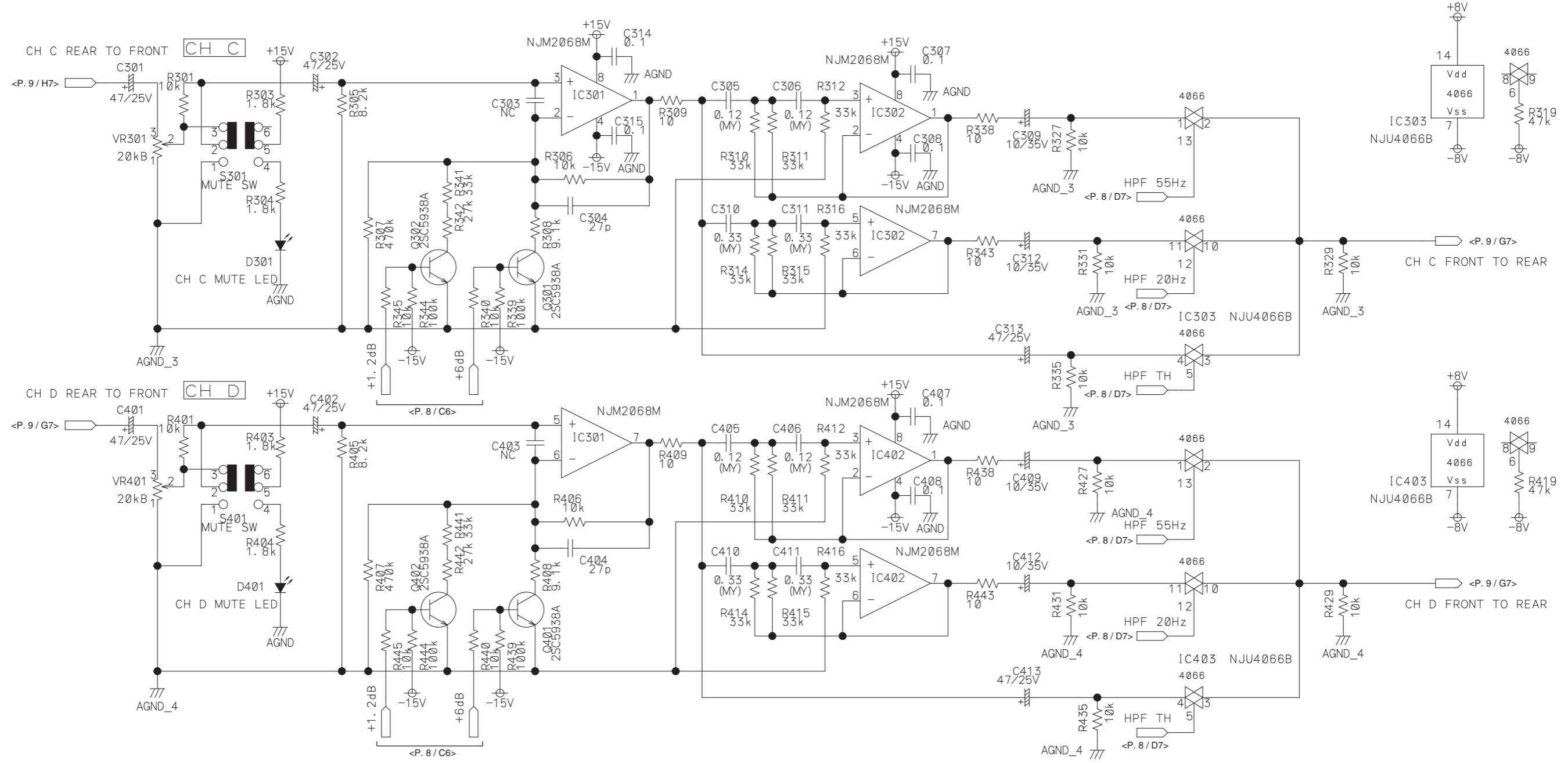
REAR 3/3

FRONT 1/4



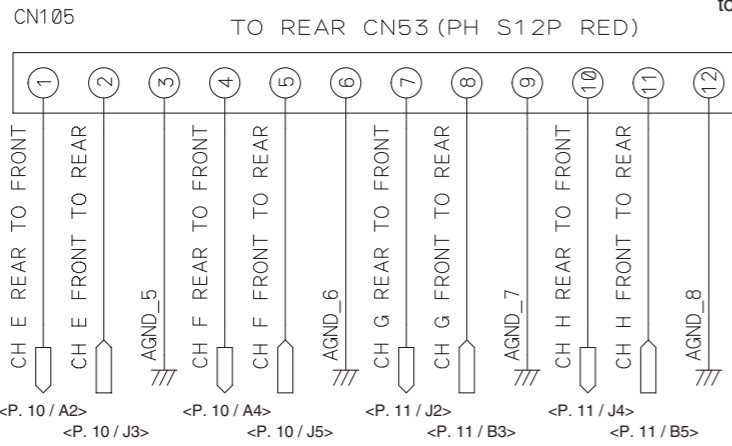
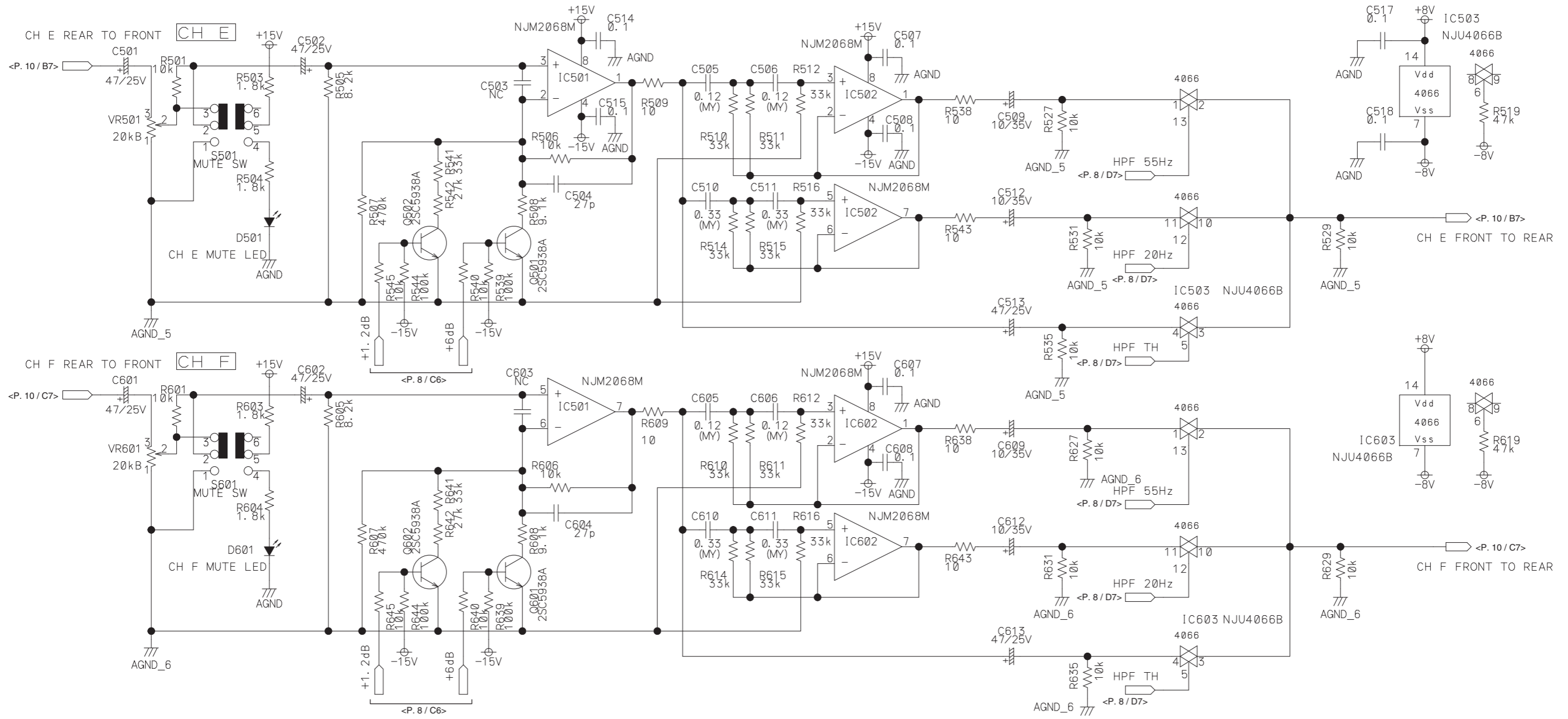
FRONT 1/4

FRONT 2/4



FRONT 2/4

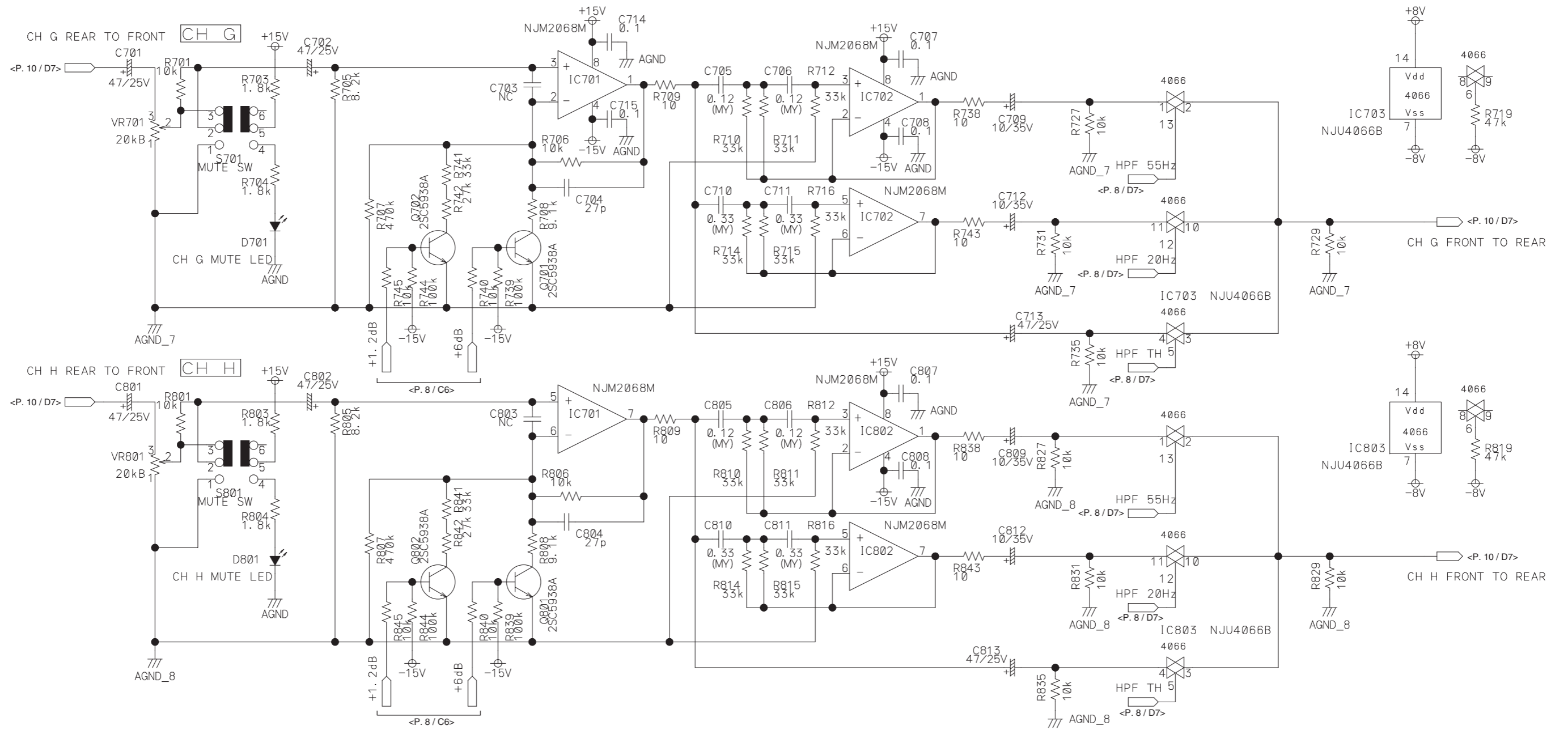
FRONT 3/4



to REAR\_CN53  
<P. 7: G6>

FRONT 3/4

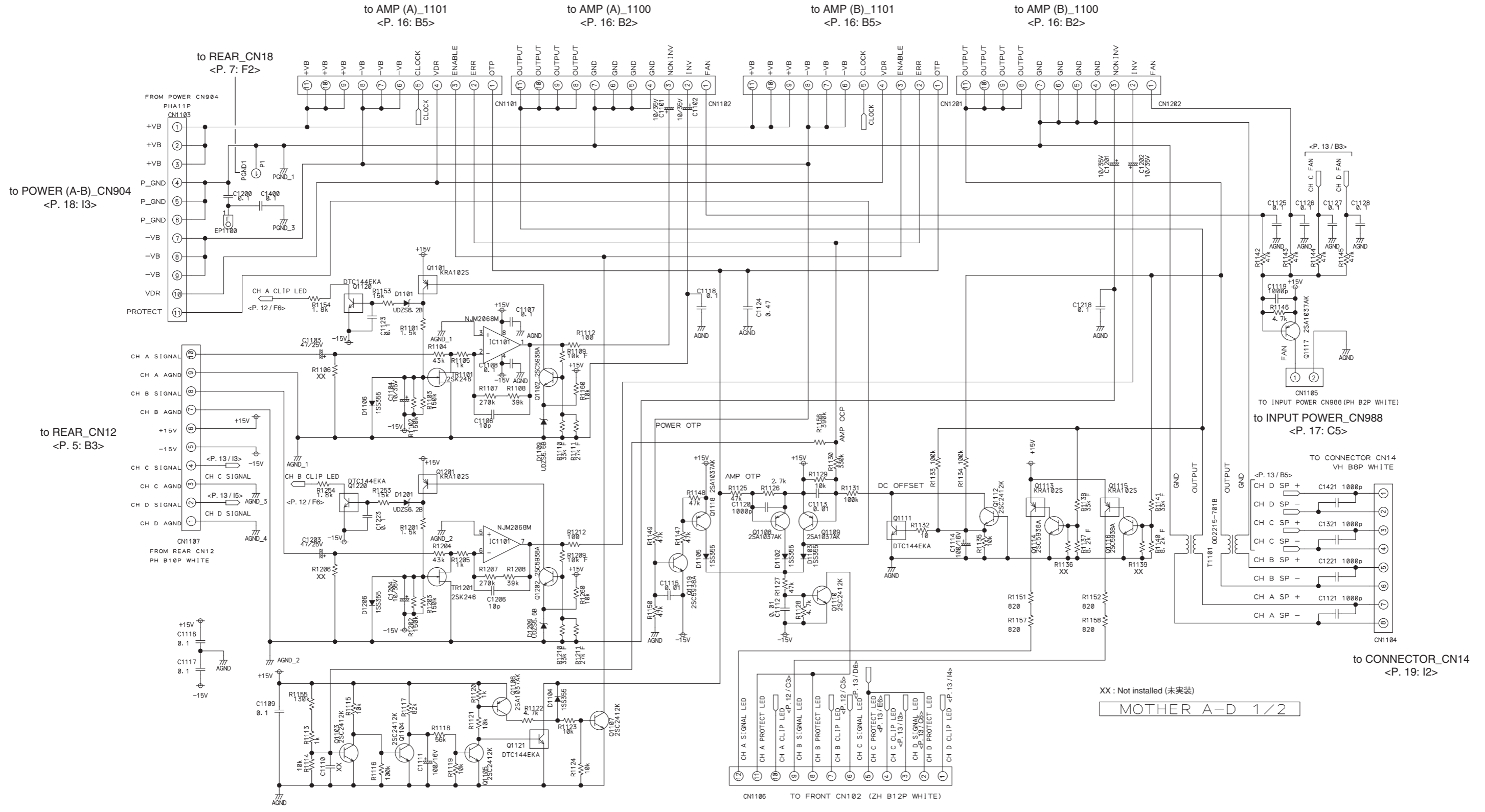
FRONT 4/4



FRONT 4/4



# MOTHER A-D 1/2



XX : Not installed (未実装)

MOTHER A-D 1/2

to POWER (A-B)\_CN904  
<P. 18: I3>

to REAR\_CN12  
<P. 5: B3>

to REAR\_CN18  
<P. 7: F2>

to AMP (A)\_1101  
<P. 16: B5>

to AMP (A)\_1100  
<P. 16: B2>

to AMP (B)\_1101  
<P. 16: B5>

to AMP (B)\_1100  
<P. 16: B2>

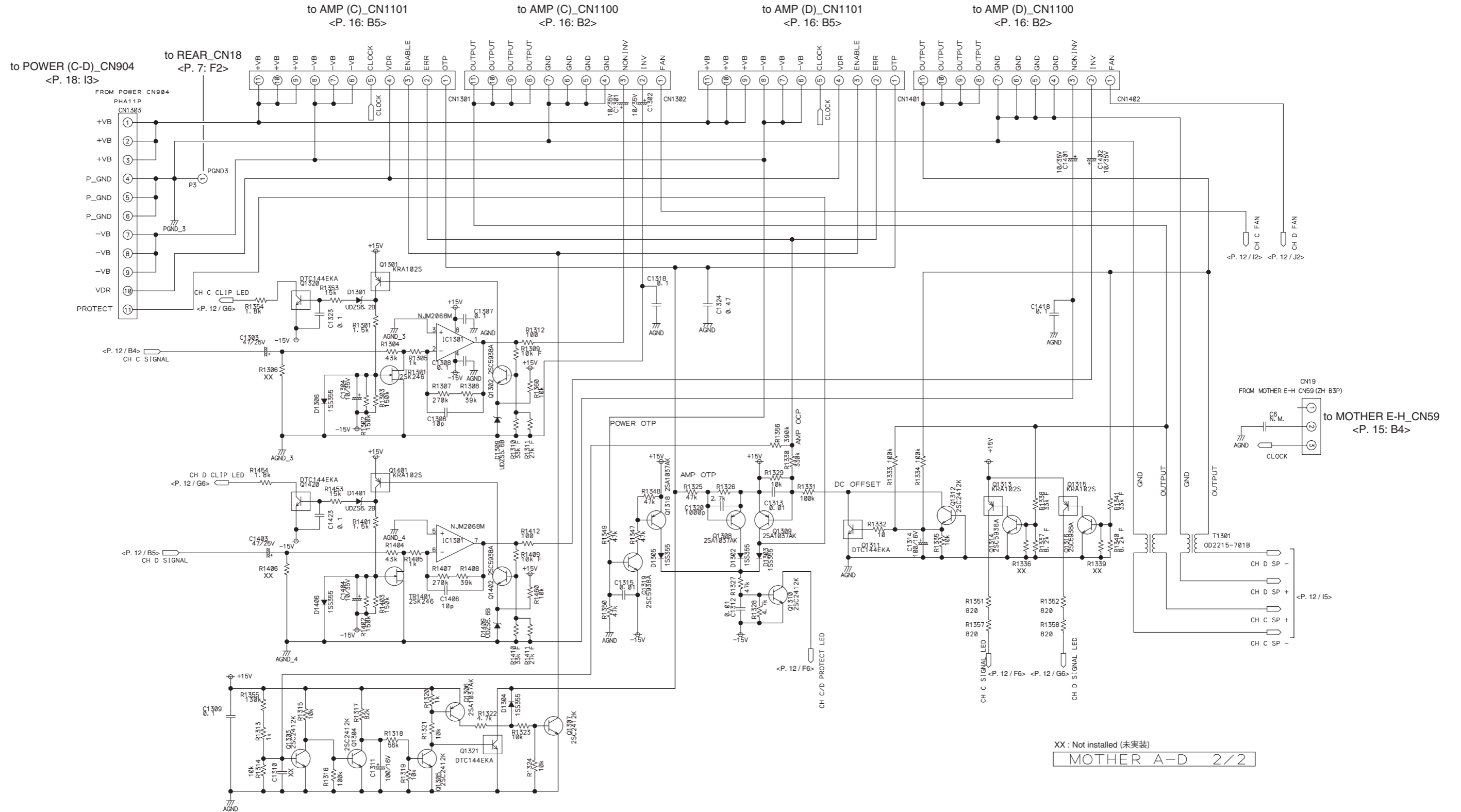
CN106 TO FRONT CN102 (ZH B12P WHITE)

to FRONT\_CN102  
<P. 8: F5>

to INPUT POWER\_CN988  
<P. 17: C5>

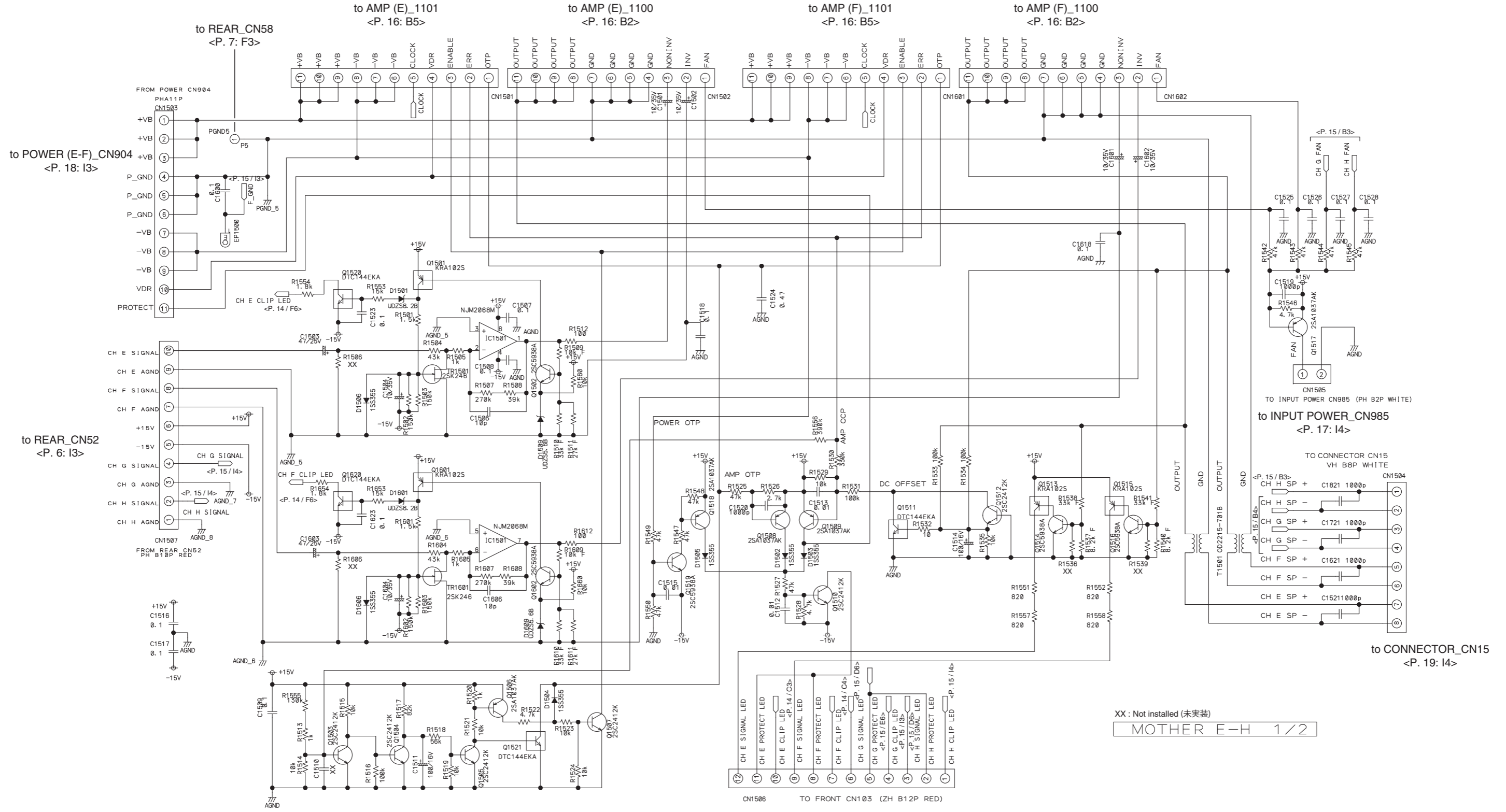
to CONNECTOR\_CN14  
<P. 19: I2>

MOTHER A-D 2/2



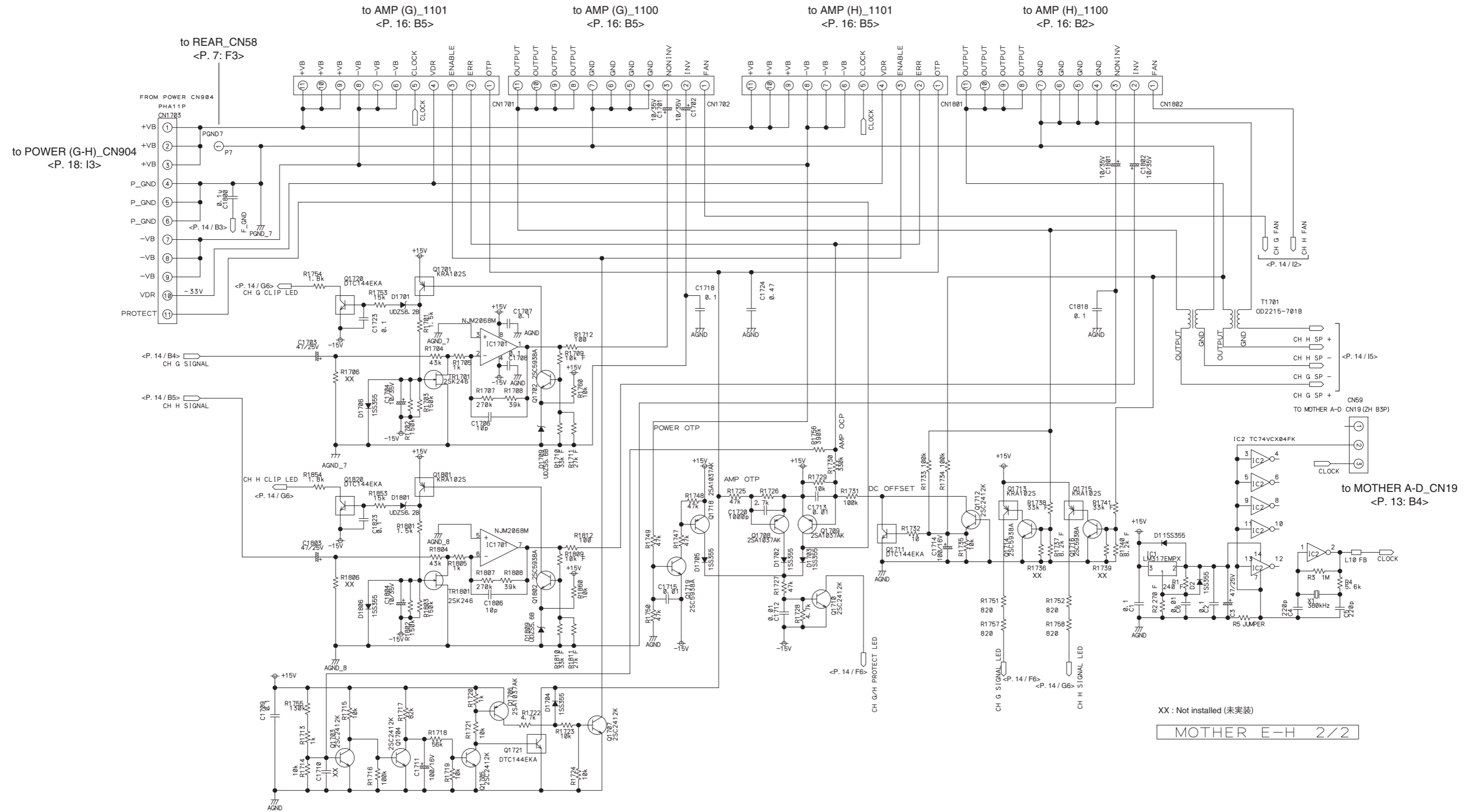
XX : Not installed (未実装)  
MOTHER A-D 2/2

# MOTHER E-H 1/2



XX : Not installed (未実装)  
 MOTHER E-H 1/2

# MOTHER E-H 2/2

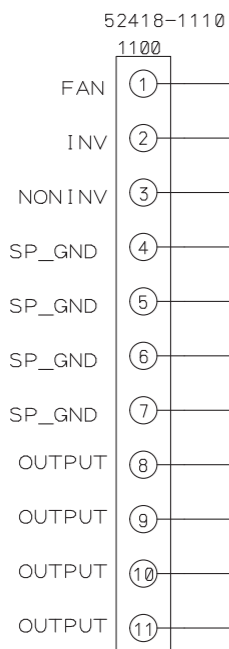


XX : Not installed (未実装)

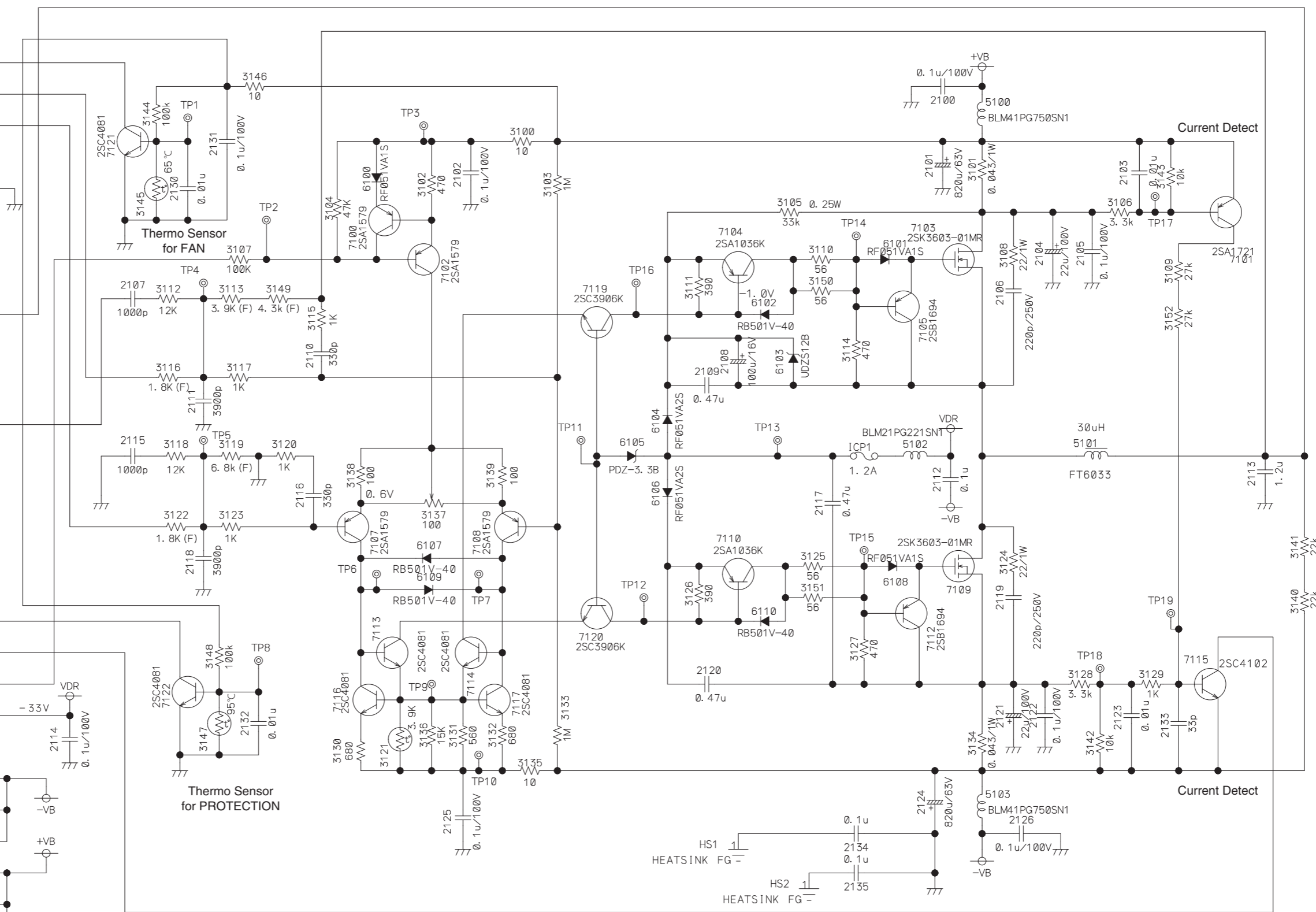
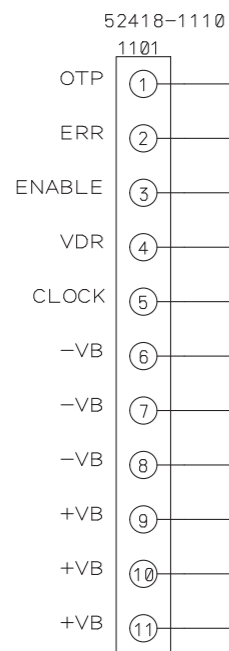
MOTHER E-H 2/2

AMP

- to MOTHER A-D\_CN1102 <P. 12: D2>
- to MOTHER A-D\_CN1202 <P. 12: G2>
- to MOTHER A-D\_CN1302 <P. 13: F2>
- to MOTHER A-D\_CN1402 <P. 13: C2>
- to MOTHER E-H\_CN1502 <P. 14: D2>
- to MOTHER E-H\_CN1602 <P. 14: G2>
- to MOTHER E-H\_CN1702 <P. 15: F2>
- to MOTHER E-H\_CN1802 <P. 15: C2>

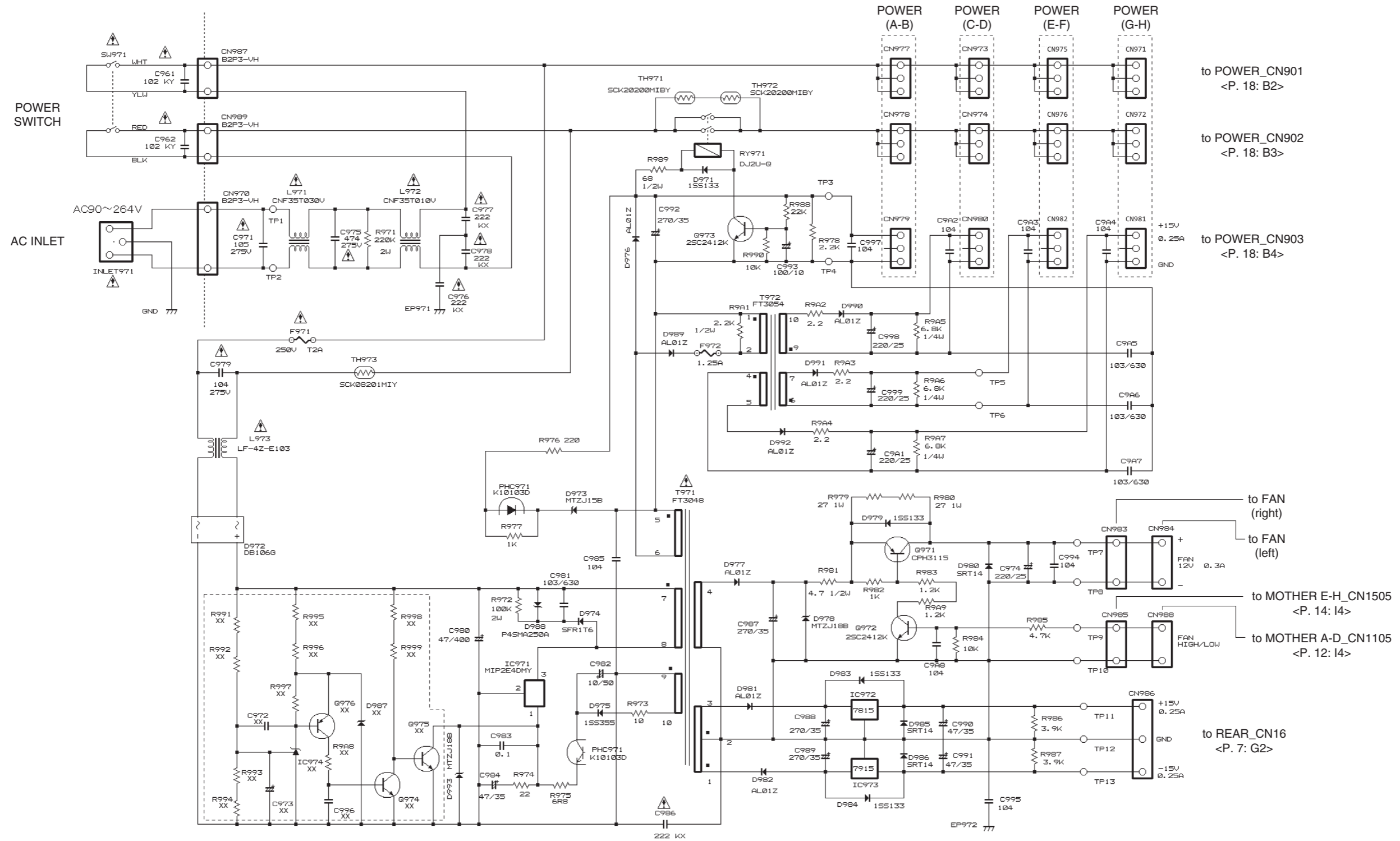


- to MOTHER A-D\_CN1101 <P. 12: C2>
- to MOTHER A-D\_CN1201 <P. 12: F2>
- to MOTHER A-D\_CN1301 <P. 13: G2>
- to MOTHER A-D\_CN1401 <P. 13: E2>
- VB
- VB
- VB
- +VB
- +VB
- +VB



AMP	AMP (A)	AMP (E)
	AMP (B)	AMP (F)
	AMP (C)	AMP (G)
	AMP (D)	AMP (H)

# INPUT POWER



INPUT POWER

XX : Not installed (未実装)

to POWER\_CN901  
<P. 18: B2>

to POWER\_CN902  
<P. 18: B3>

to POWER\_CN903  
<P. 18: B4>

to FAN  
(right)

to FAN  
(left)

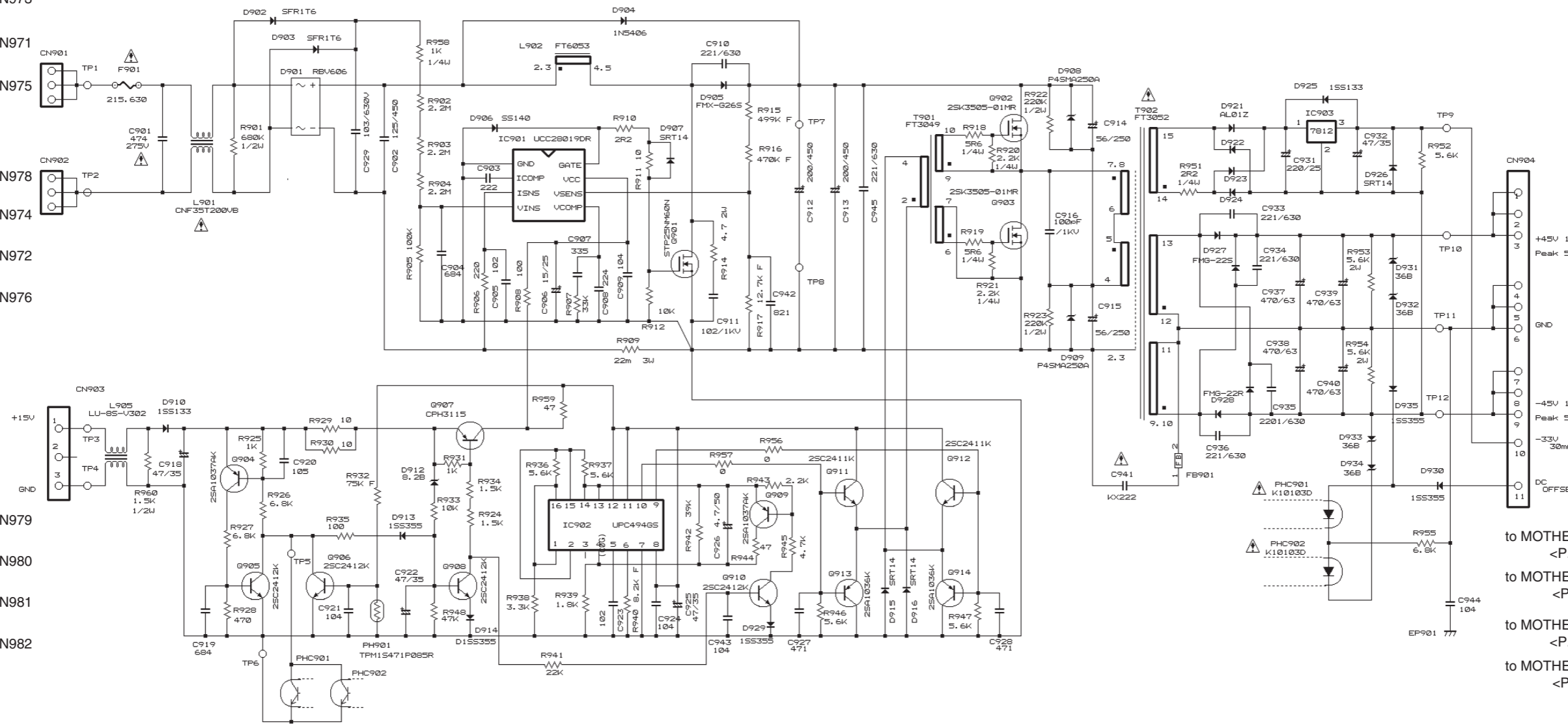
to MOTHER E-H\_CN1505  
<P. 14: I4>

to MOTHER A-D\_CN1105  
<P. 12: I4>

to REAR\_CN16  
<P. 7: G2>

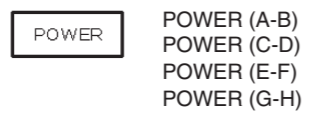
POWER

- to INPUT\_POWER\_CN977 <P. 17: E2>
- to INPUT\_POWER\_CN973 <P. 17: D2>
- to INPUT\_POWER\_CN971 <P. 17: D2>
- to INPUT\_POWER\_CN975 <P. 17: C2>
- to INPUT\_POWER\_CN978 <P. 17: E3>
- to INPUT\_POWER\_CN974 <P. 17: D3>
- to INPUT\_POWER\_CN972 <P. 17: D3>
- to INPUT\_POWER\_CN976 <P. 17: C3>



- to INPUT\_POWER\_CN979 <P. 17: E3>
- to INPUT\_POWER\_CN980 <P. 17: D3>
- to INPUT\_POWER\_CN981 <P. 17: D3>
- to INPUT\_POWER\_CN982 <P. 17: C3>

- to MOTHER A-D\_CN1103 <P. 12: B2>
- to MOTHER A-D\_CN1303 <P. 13: I2>
- to MOTHER E-H\_CN1503 <P. 14: B2>
- to MOTHER E-H\_CN1703 <P. 15: I2>



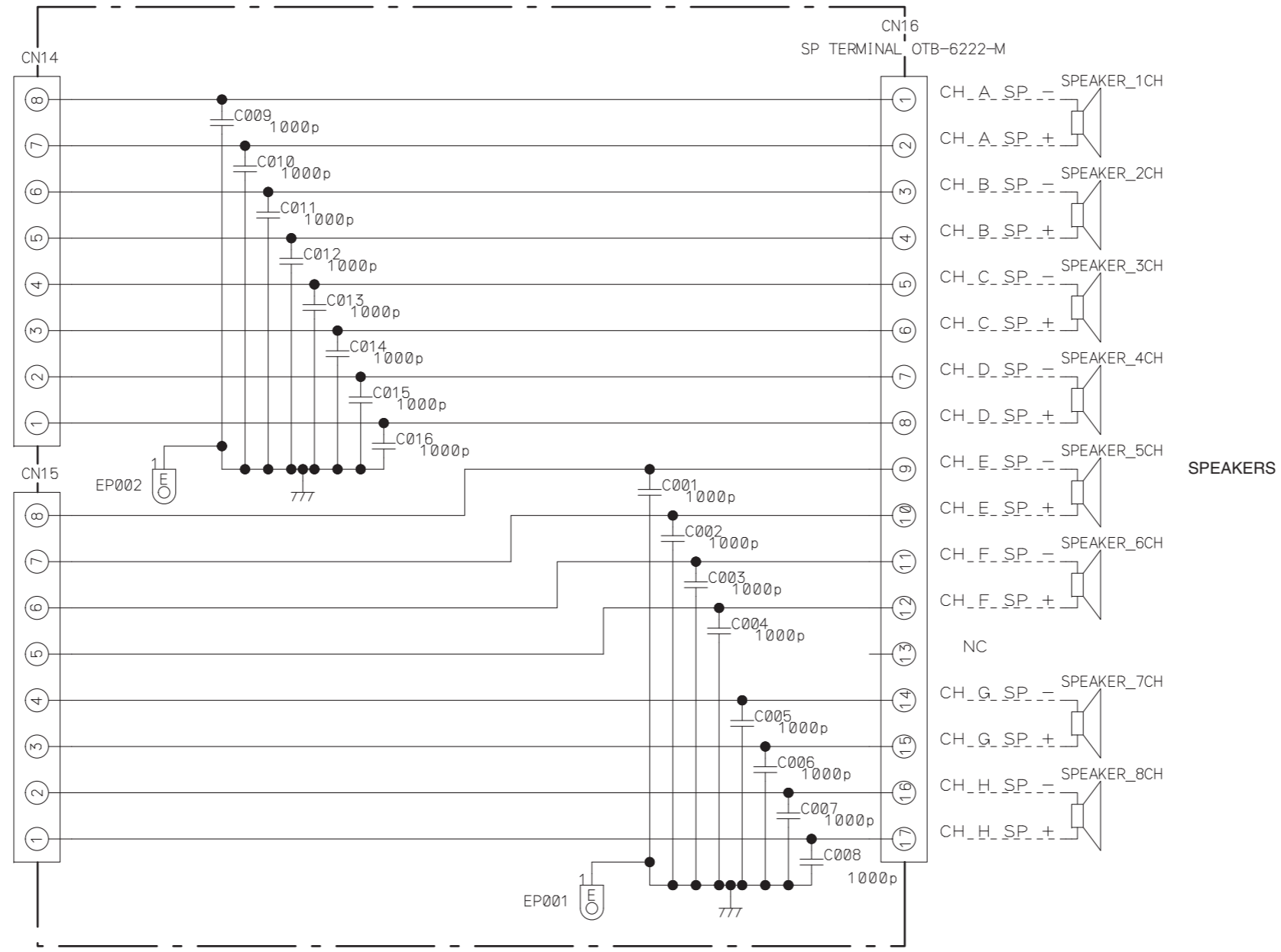
### CONNECTOR / LED

FROM CH MOTHER A-D CN1104  
BOARD IN B8P WHITE

to MOTHER A-D\_CN1104  
<P. 12: J5>

FROM CH MOTHER E-H CN1504  
BOARD IN B8P WHITE

to MOTHER E-H\_CN1504  
<P. 14: J5>

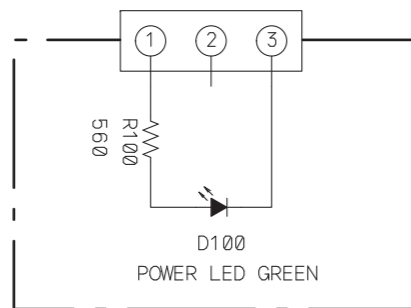


SPEAKERS

to FRONT\_CN106  
<P. 8: I2>

CN107

FROM FRONT CN106 (ZH B3P WHITE)



LED

S5020144-16

S5020144-15

CONNECTOR

1

2

3

4

5

6

7